

S12-2 Dirt

1/10 Off Road 2WD Racing Electric Buggy



SWORKZ S12-20 INSTRUCTION MANUAL



S12-2

1/10 Off Road 2WD Racing Electric Buggy

INSTRUCTION

The SWORKz S12-2D (Dirt Edition) 1/10 2WD is designed for pure racing. The geometry of the car provides optimized corner speed compared with easy handling on dirt(clay) conditions and on medium to low grip carpet tracks.

The S12-2D features a new dirt version gear box system, fitted on a new T7075 hard anodized and lightened aluminum chassis, with a new layout that allows up to 6 different battery positions. The flex of the chassis can be changed by adjusting the sideguards.

The S12-2D comes with a brand new designed 1/10 Pro-Shock System. It has got new Emulsion Precision Plastic Shock Caps and Shock Pistons with Seal Parts. The S12-2D Kit includes 4mm dirt version Carbon front shock towers and a new designed front C-Hub geometry. SWORKz Teflon coated shock shafts give the smoothest function, you can imagine. Black Line shock springs with a new designed, rotation protected spring holder, are standard in the SWORKz S12-2D kit too.

Adjustable Ackermann plate and Carbon steering plates are already in the kit. The S12-2D has got new angled lower arms (Gull Wings) that provide a lower Shock position which leads to a lower center of gravity.

The kit is equipped with a quick release system for the ball differential, which can be mounted in 3 different positions. The rear lower arms are angled and the rear shock tower of the S12-2D has got different height positions. The weight of the gearbox is optimized with a perfect relation between size and strength.

The rear shock tower of the S12-2D is made of High Quality Carbon. With the wing mount holder, height and angle of the wing can be adjusted. The rear width of the S12-2D can be changed through rear hubs and rear CVD modularity.

The SWORKz S12-2D is equipped with a front sway bar and a completely new developed rear sway bar holder system.

The 2-Pad Slipper of the SWORKz S12-2D comes with hard anodized plates, high temperature resistant slipper pads and a spur gear protection with engraved SWORKz logo.

The S12-2D body shell is tested to provide the best aerodynamic behavior.

The SWORKz development team focused on using materials, which have the highest quality standards, we are asking for when designing a SWORKz product. You will find only 100% SWORKz quality in the S12-2D kit.

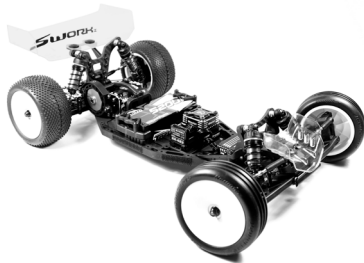
Congratulations on your purchase of the new SWORKz S12-2D 1/10 scale off-road racing buggy pro kit and thanks for trusting in SWORKz.

Please read this manual carefully, before you start to build and drive your SWORKz S12-2D. This manual contains step-by-step instructions to help you completing, preparing and fine tuning your SWORKz S12-2D for racing. Updates, setups, and product news will be posted on all SWORKz digital media.

As always, if you should ever have any questions or need help with your SWORKz products, please feel free to contact our official SWORKz dealers and distributors.

S12-2D Chassis Features :

1. T7075 hard anodized & lightened aluminum chassis
2. Adjustable flex system with various sideguards
3. 6 different battery positions
4. 4mm Carbon shock tower
5. New C-Hub geometry
6. Changeable Ackerman plate
7. Carbon steering knuckle plates
8. Front sway bar
9. Super light anodized front wheel axles
10. Front wing mount
11. Front aluminum toe in plate
12. Front lower arms in angled design
13. Easy adjustable Ackerman plate
14. Adjustable differential position
15. Quick change ball differential system
16. Lower shock position design with adjustable shock tower position
17. Brand new designed 1/10 Pro-Shock System
18. Adjustable rear wing height
19. Adjustable rear wing angle
20. Rear width adjustable with hubs included length adjustable CVD
21. Fully adjustable square aluminum toe in plate with SWORKz logo
22. New designed rear sway bar holder
23. Rear wheel hex hard anodized
24. Rear Carbon Shock tower
25. Super light CAD optimized gearbox
26. 2 Pad Slipper System with hard anodized plates
27. Slipper Anti-Clock rotation adjustment
28. High temperature resistant slipper pads
29. Spur gear protection with laser Logo
30. Precision plastic emulsion shock cap system
31. Unique designed shock stud screws
32. Hard anodized stock studs
33. Black line shock spring
34. Rotation protected spring holder
35. Teflon hard coated shock shaft
36. Hard coated shock body
37. 6 Ball bearings servo system
38. Quick release electronic plate
39. Battery pad included
40. Balanced motor position
41. Body shell with optimized aerodynamic design



Specification	
Length:	410mm
Width:	242-248mm
Height:	148mm
Ground Clearance:	40mm
Wheelbase:	282-284mm
Track:	F:220mm / R221mm
Gear Ratio:	S:81/21T
Weight:	1450g+/-10g (Race Condition)

WARRANTY

Your SWORKz S12-2D kit warranty covers workmanship and manufacturing defects of the original and unmodified parts. Warranty claims resulting from crashes, abuse, improper operation, improper mounting, improper adjustment or lack of maintenance will not be honored.

Contact your local hobby shop or SWORKz distributor for all claims and questions. Claims must be well documented. All Claims are subject to expert examination approval by SWORKz.



INSTRUCTION	2
Warranty	3
INDEX	4
Required Equipment for Operation	5
Operation Guide	6
Assembly Steps	7-26
Blank Set-up Sheet	27
Set-up Sheet	28
S12-2D Key No.List	29
S12-2D Spare Part List	30
S12-2D Option Part List	31
Explosion view with spare parts number	32-35
End cover	36

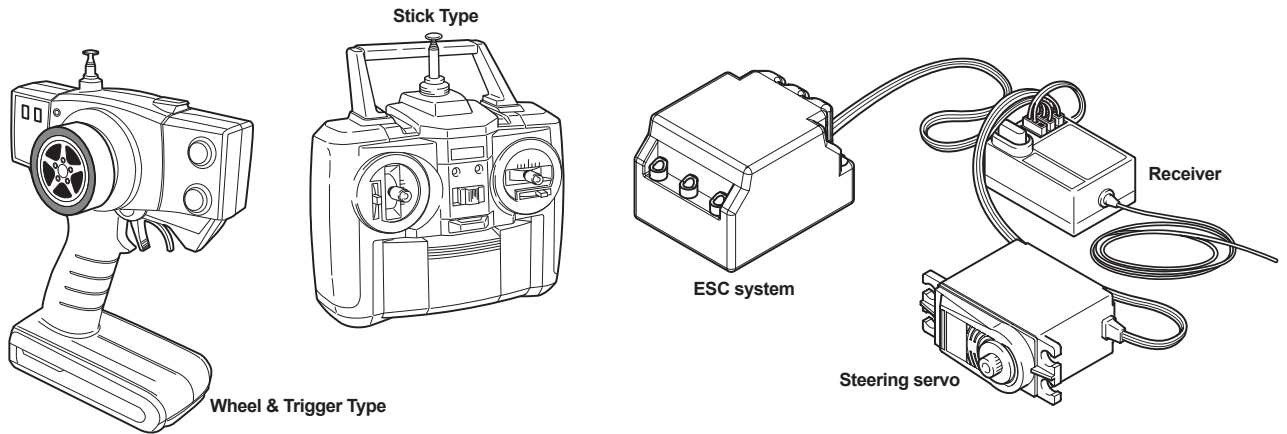


This radio controlled racing car is not a toy!

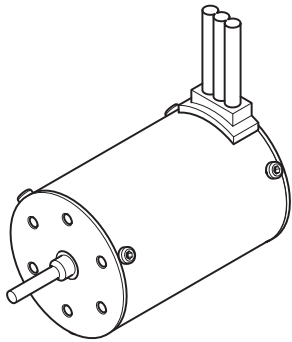
This high-performance R/C model is recommended for ages 14 and older.

Required Equipment for Operation

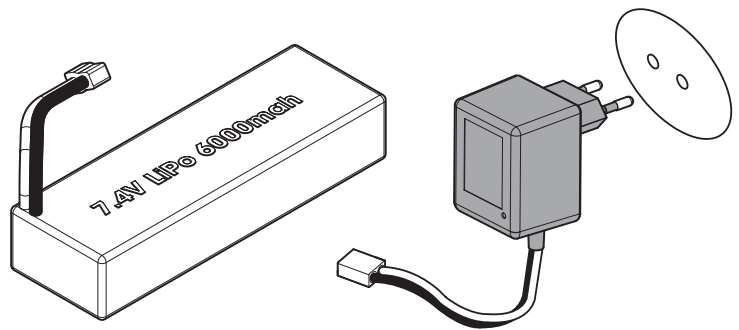
Radio Gear



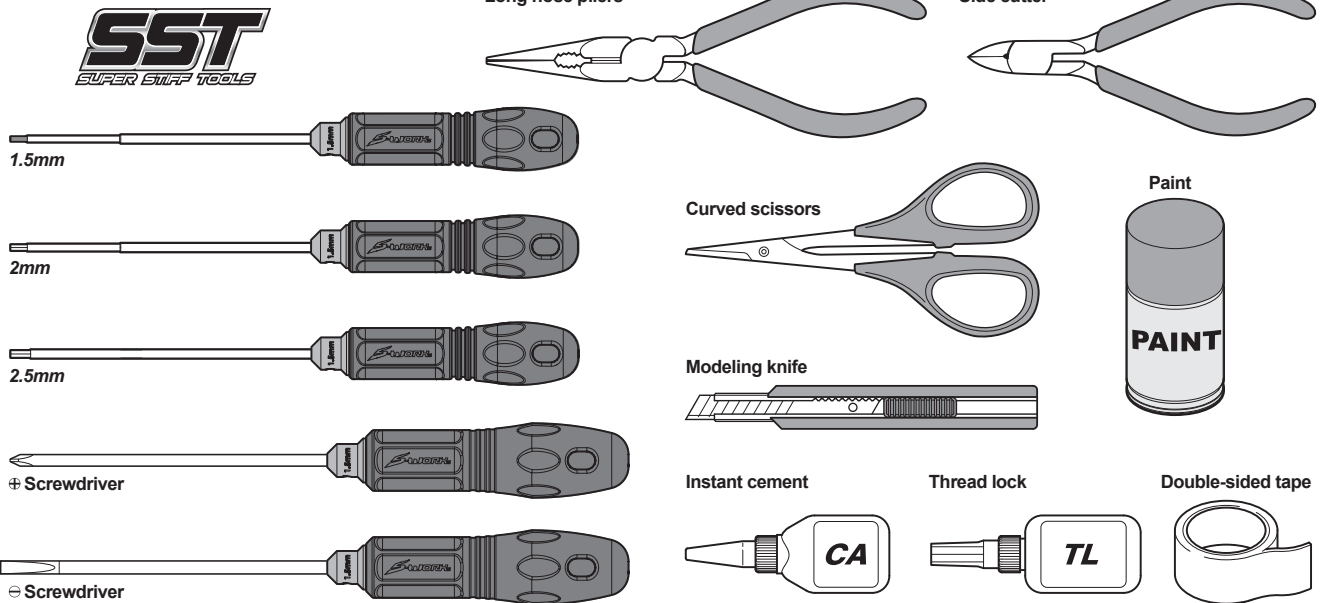
Breshless Motor



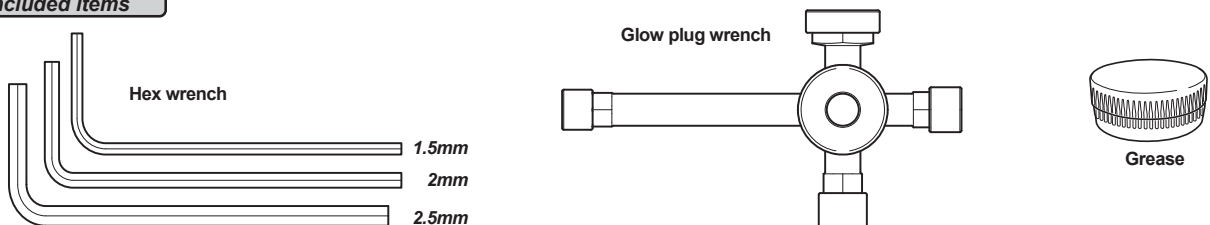
Charger and LiPo Battery



Tools Recommended



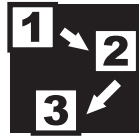
Included items



Operation Guide



Assemble front and rear



Assemble in the specified order



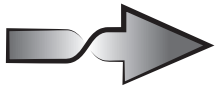
Assemble both left and right sides



Assemble for 2 sets



Assemble for 4 sets



overturn



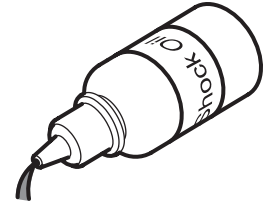
Thread Locking Compound



Grease



Ball Diff Paste



Pure Silicone Oil

Safety Precautions

The SWORKz S12-2D is a high performance radio control model which needs to be operated with caution and common sense.

The S12-2D Pro Kit is not intended for children under the age of 14 without adult supervision. SWORKz shall not be held liable for any loss or damages, whether direct, indirect, act of nature, arising from abuse or misuse of this product or any other product required.

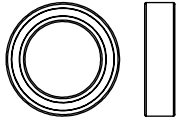
- The LiPO Battery can be dangerous if improperly handled.
- Always keep your LiPO Battery in a cool area and never use it near flames, sparks, or while smoking.
- Keep your LiPO Battery, and all other flammables, out of the reach of children.
- After running your car, all parts of the Motor and ESC can become extremely hot. Be careful not to touch these parts.
- This model is controlled by your radio controller and can be vulnerable to interference from many outside sources. This interference can cause a loss of control so it is necessary to operate this model in an open area to avoid personal or property damage. Always ensure turning on your radio first.
- Keep all the products included in the package out of the reach of children.
- This model contains many fast rotating parts. Never touch them during operation.
- Follow the instructions included with your radio gear.
- Never operate your model near people or property. The speed of this model has the potential to injure people and or damage property if misused.
- Always use original SWORKz spare parts and option parts.
- Always ensure that the buggy is in proper working condition before use.
- Always exercise caution when using any tools.

BAG B

1



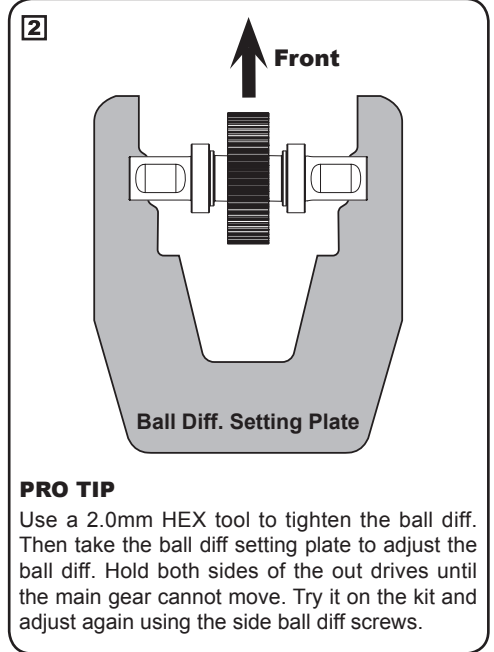
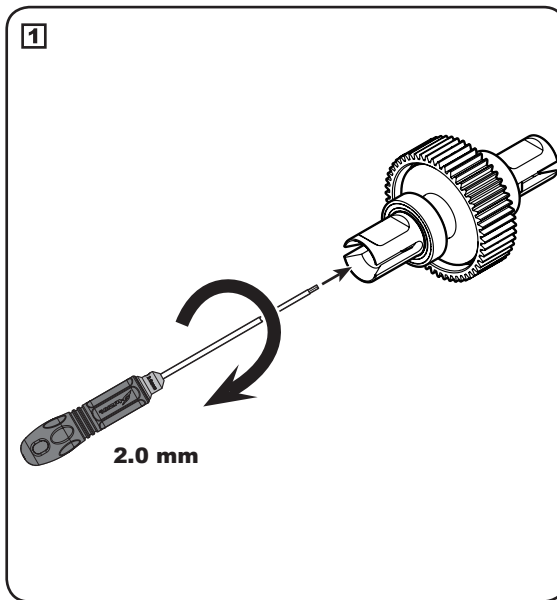
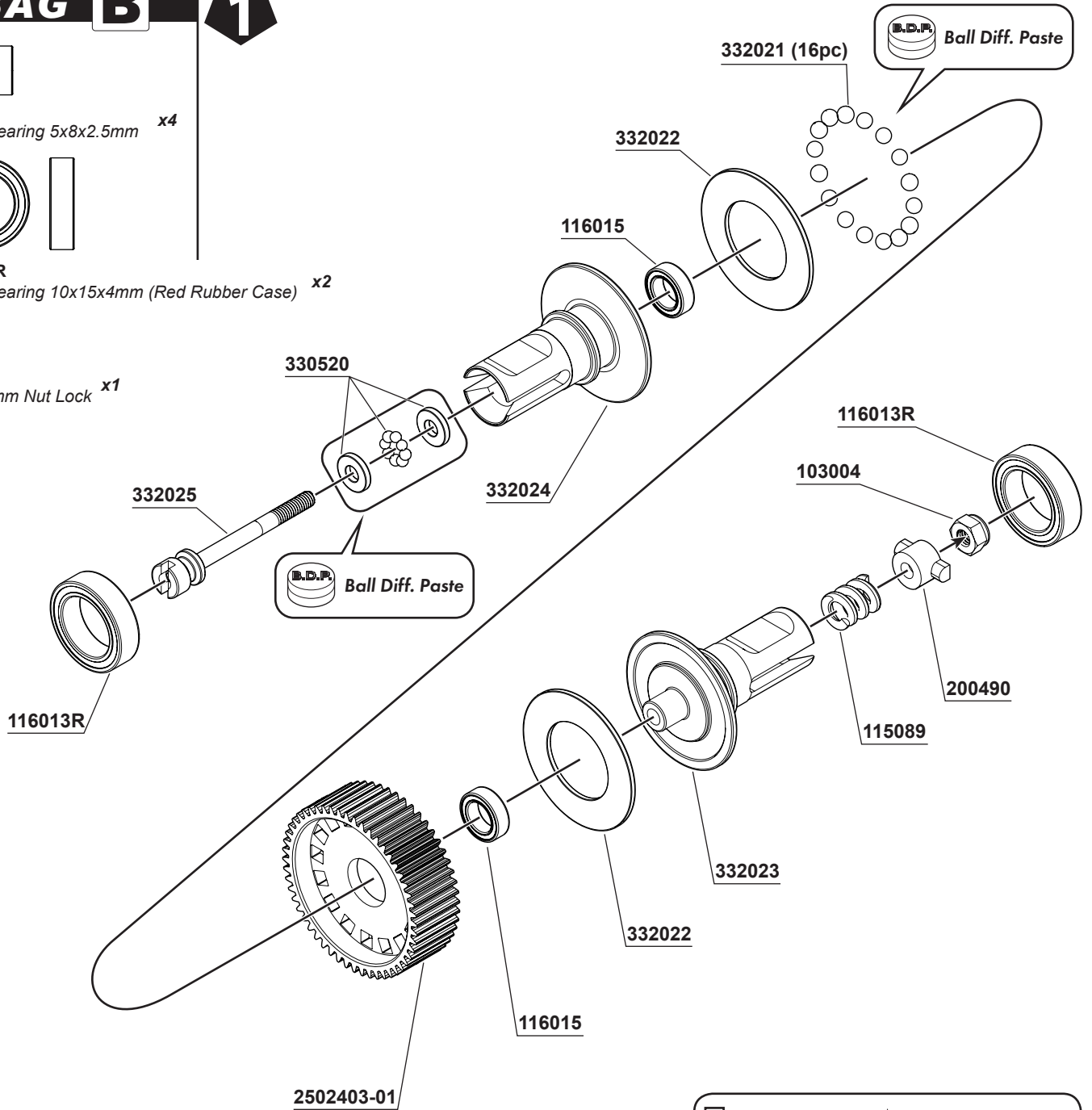
116015
Ball Bearing 5x8x2.5mm x4



116013R
Ball Bearing 10x15x4mm (Red Rubber Case) x2

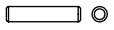


103004
M2.5mm Nut Lock x1



BAG C

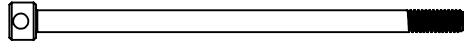
3



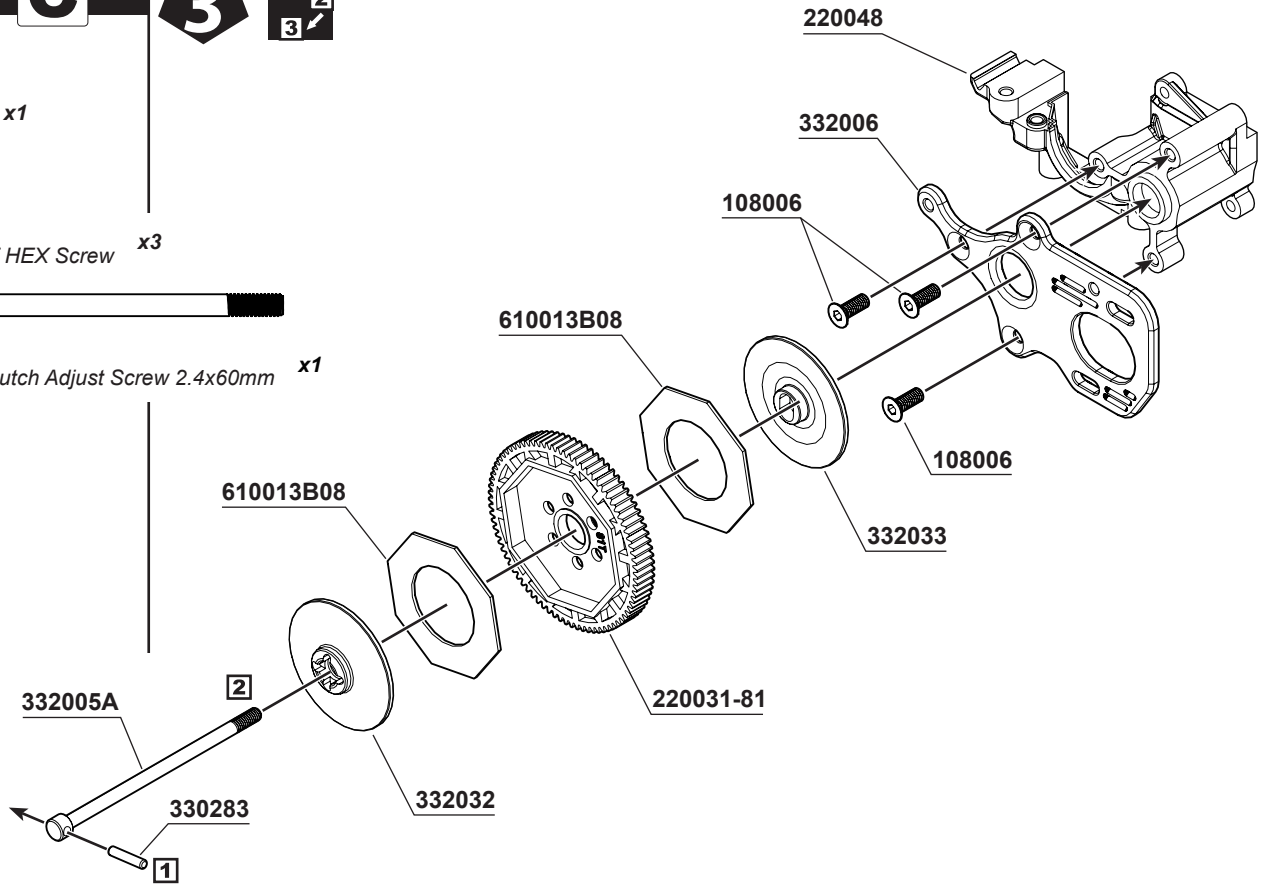
330283
Pin M2x10mm x1



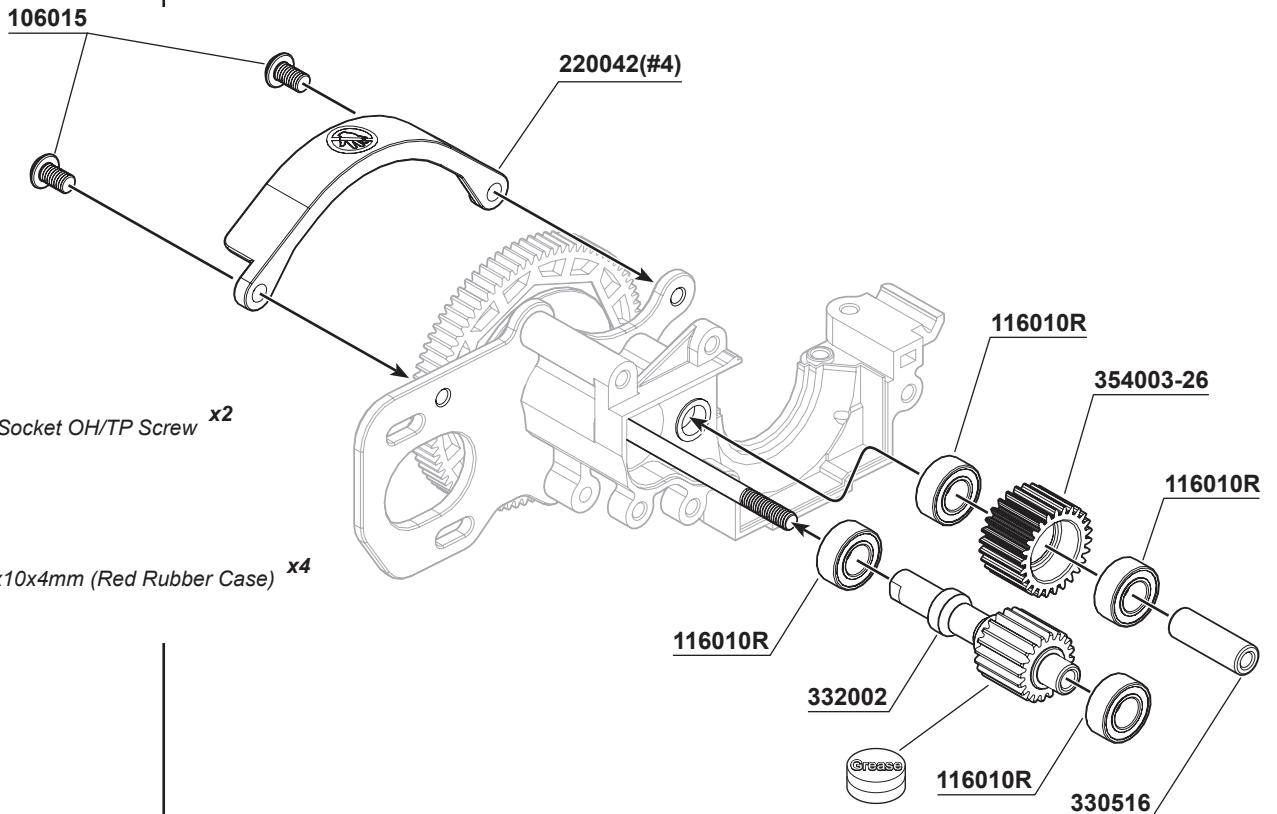
108006
M3x8mm FH/ST HEX Screw x3



332005A
S12-2 Slipper Clutch Adjust Screw 2.4x60mm x1



4



106015
M3x5mm Hex Socket OH/TP Screw x2



116010R
Ball Bearing 5x10x4mm (Red Rubber Case) x4



103001
M3 Nut Lock x1



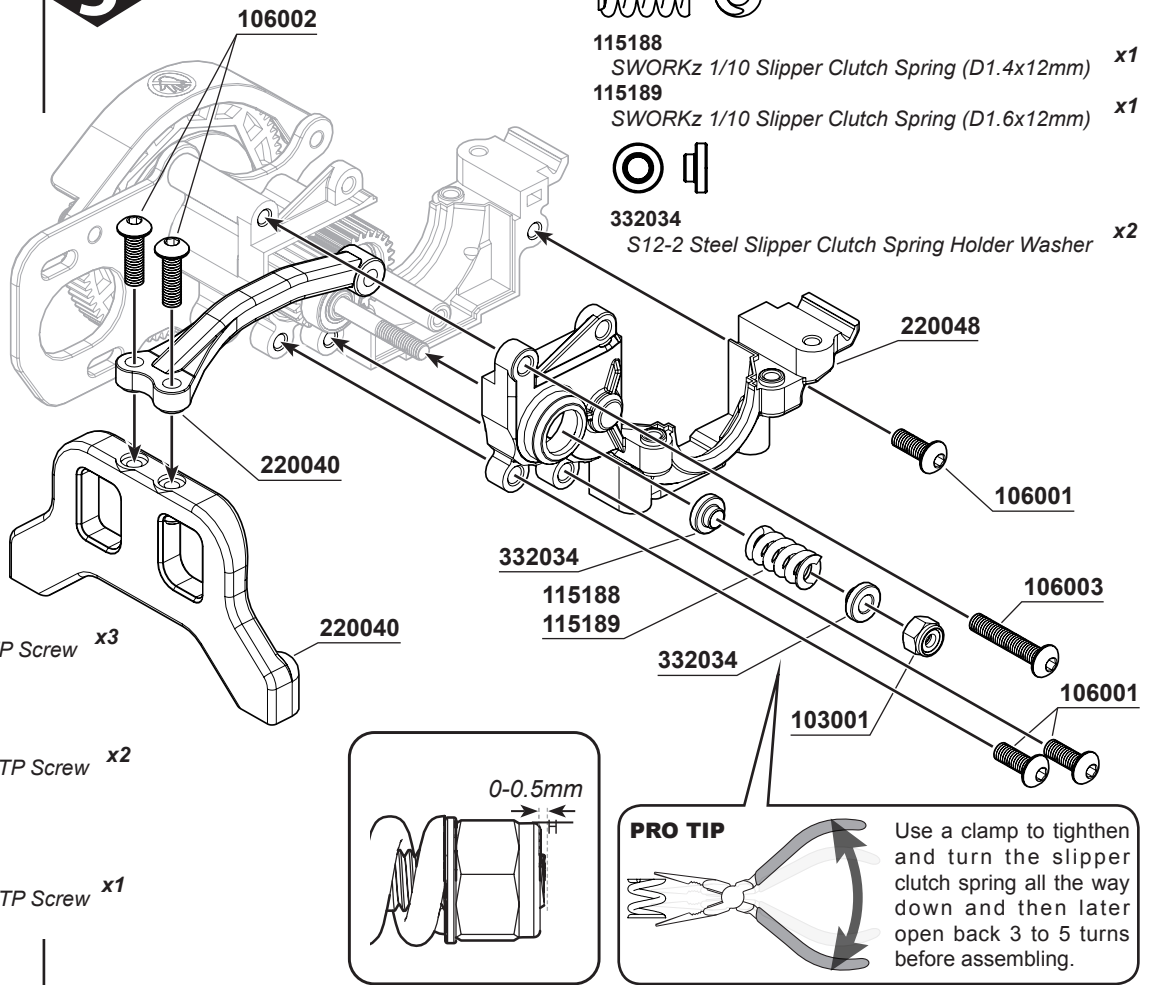
106001
M3x8mm Hex Socket OH/TP Screw x3



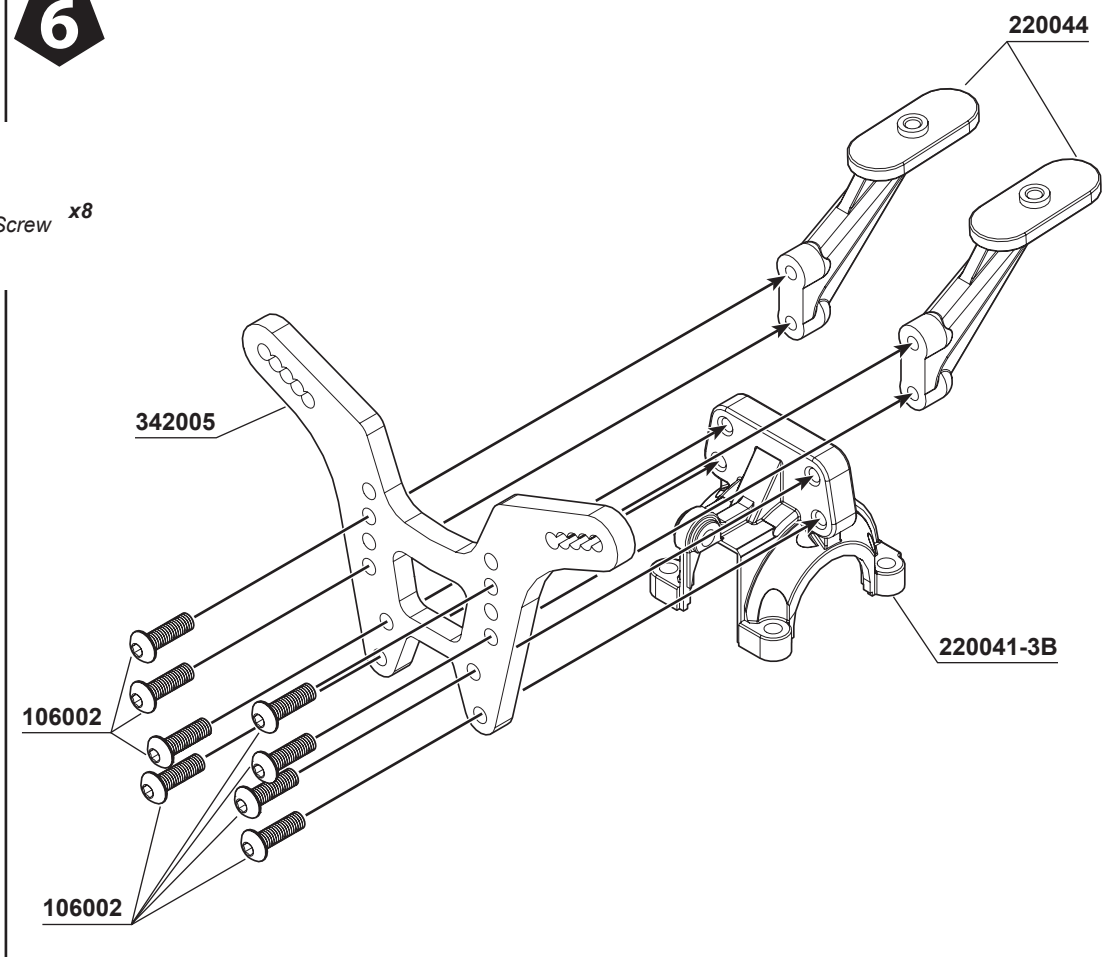
106002
M3x10mm Hex Socket OH/TP Screw x2



106003
M3x16mm Hex Socket OH/TP Screw x1



106002
M3x10mm Hex Socket OH/TP Screw x8

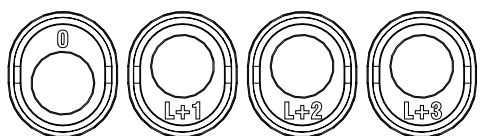
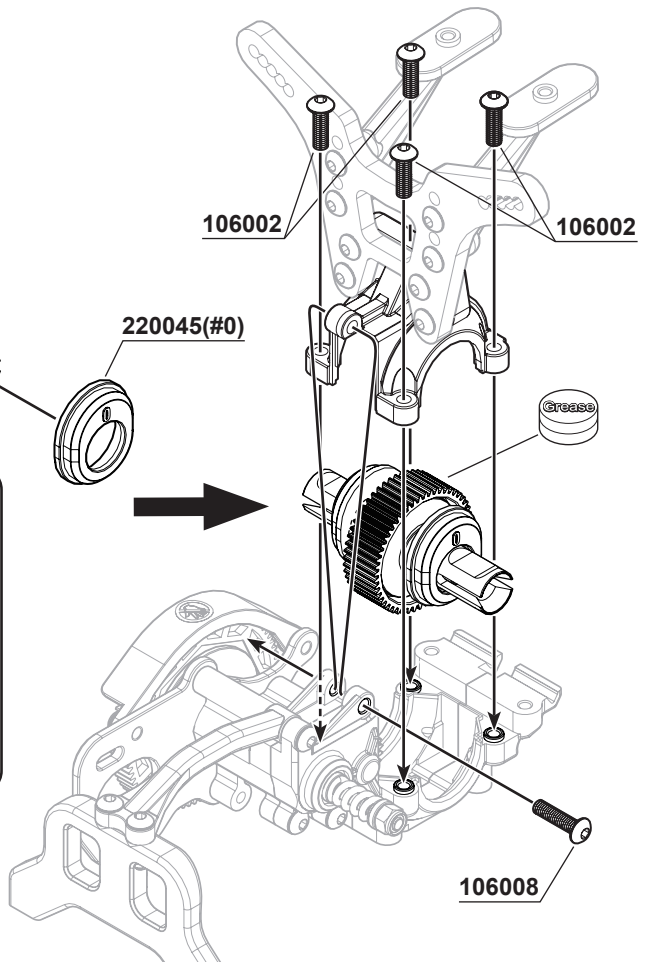



 **106002**
M3x10mm Hex Socket OH/TP Screw x4


 **106008**
M3x12mm Hex Socket OH/TP Screw x1

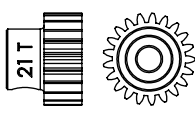
220045(#0)

PRO TIP:
The part 220045 (S12-2 Gear Box Inserts) can be put in 4 different degrees. The basic position to start is zero degree which is the lowest position to the chassis. You can change to +1, +2 or +3 degree for lower grip conditions.

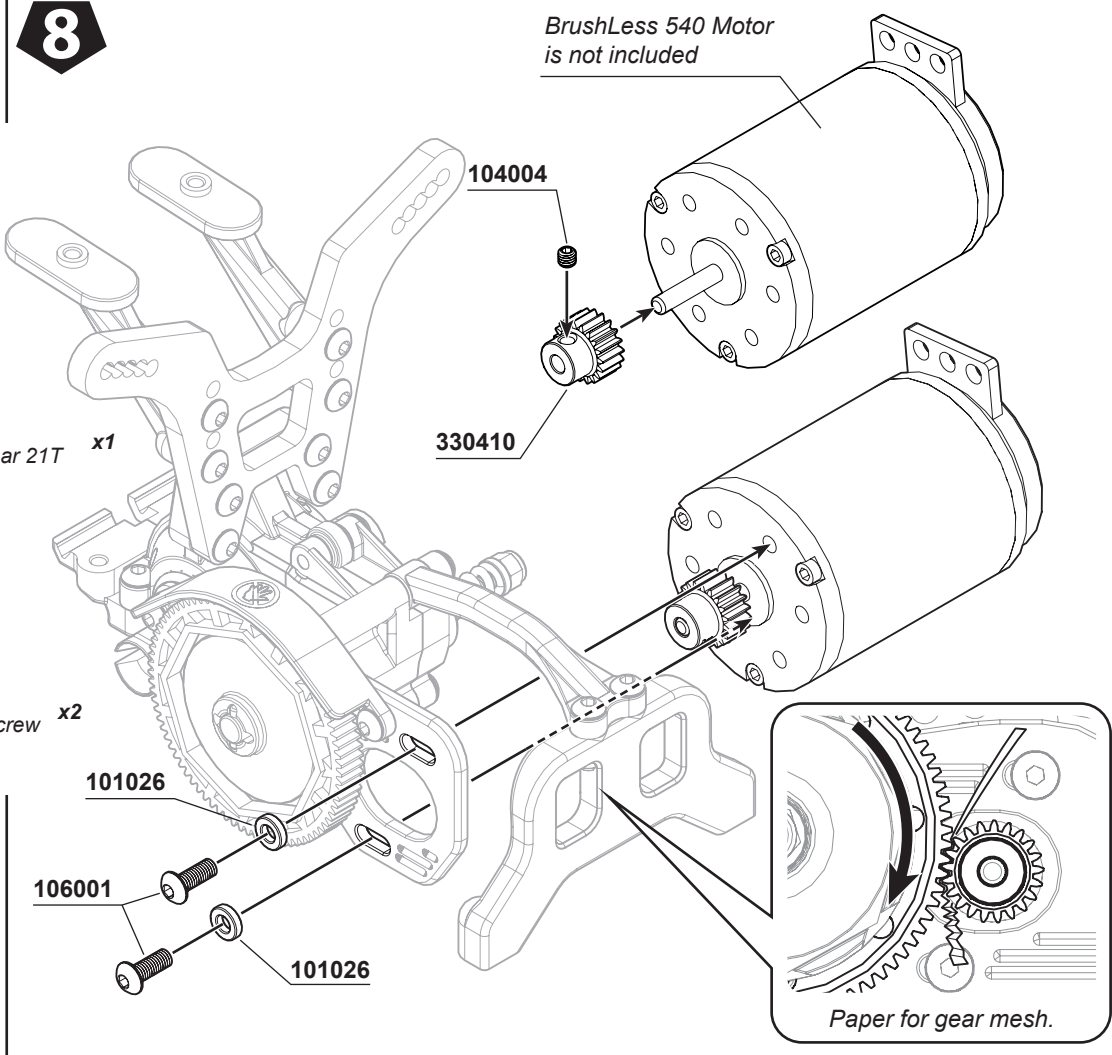
 **104004**
M3x3mm Set Screw x1

 **101026**
Washer M3x6xT1.5mm x2

 **330410**
SWORKz 1/10 Motor Pinion Gear 21T x1

 **106001**
M3x8mm Hex Socket OH/TP Screw x2

BrushLess 540 Motor is not included



BAG D

9



x2

OPTION:
SW-220037H
S12-2 Side Guard Set in Pro-composite Hard Material

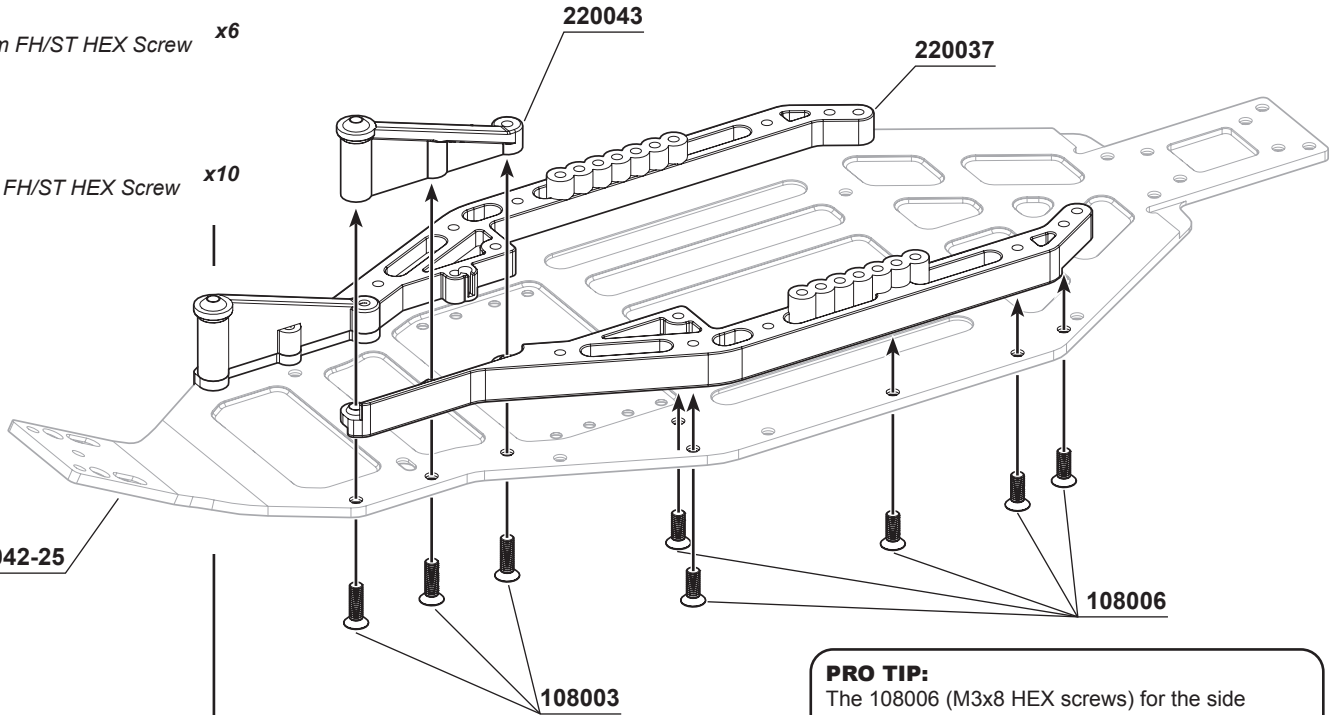


108003
M3x10mm FH/ST HEX Screw x6



108006
M3x8mm FH/ST HEX Screw x10

332042-25



PRO TIP:
The 108006 (M3x8 HEX screws) for the side guard helps adjust the chassis stiffness. With all the screws (7pcs) on, this will be the most stiff set up for the chassis and will provide the least grip. Standard suggestion to start build is with 4 screws.

10



OPTION:
SW-115173 S12-2 Front Sway Bar 1.1mm
SW-115174 S12-2 Front Sway Bar 1.2mm
SW-115175 S12-2 Front Sway Bar 1.3mm



108006
M3x8mm FH/ST HEX Screw x2



108014
M3x4mm FH/ST HEX Screw x1



106020
M2.5x5mm Hex Socket OH/TP Screw x2



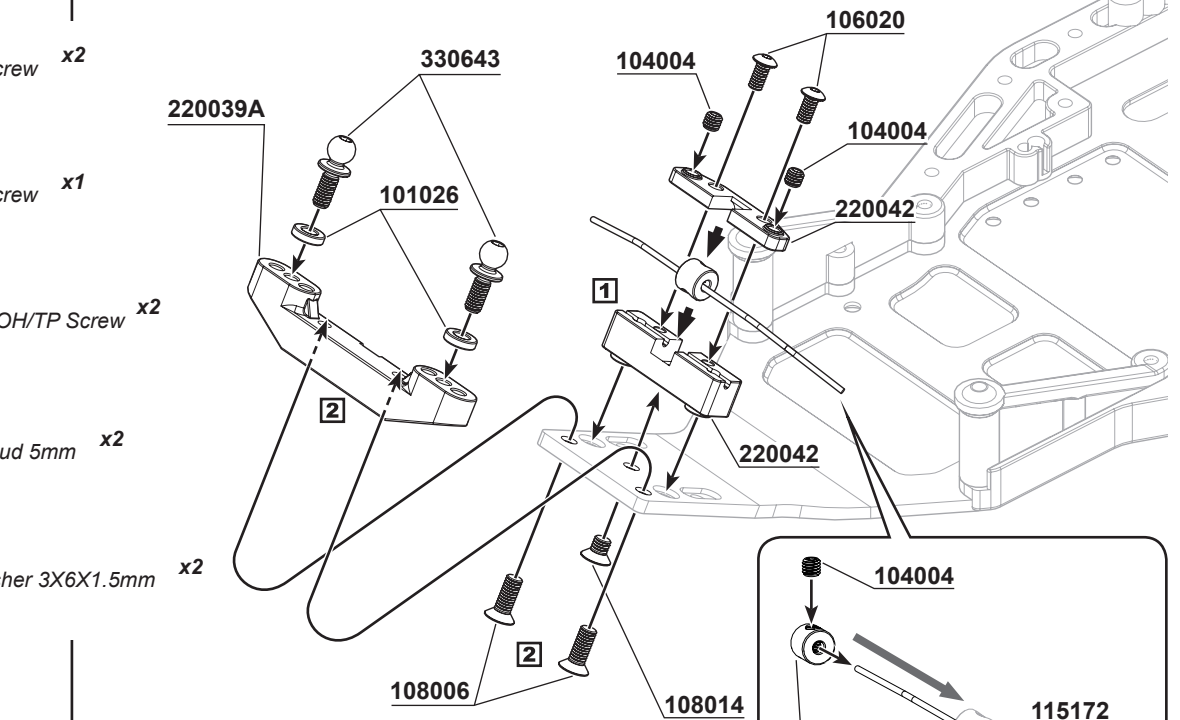
330643
Steering Linkage Ball Stud 5mm x2



101026
SWORKz Aluminum Washer 3X6X1.5mm x2



104004
M3x3mm Set Screw x3



OPTION:
SW-332028 S12-2 Aluminum Front Upper Arm Holder

11



106002
M3x10mm Hex Socket OH/TP Screw x2



330331
Steering Linkage Ball Stud 5mm x3



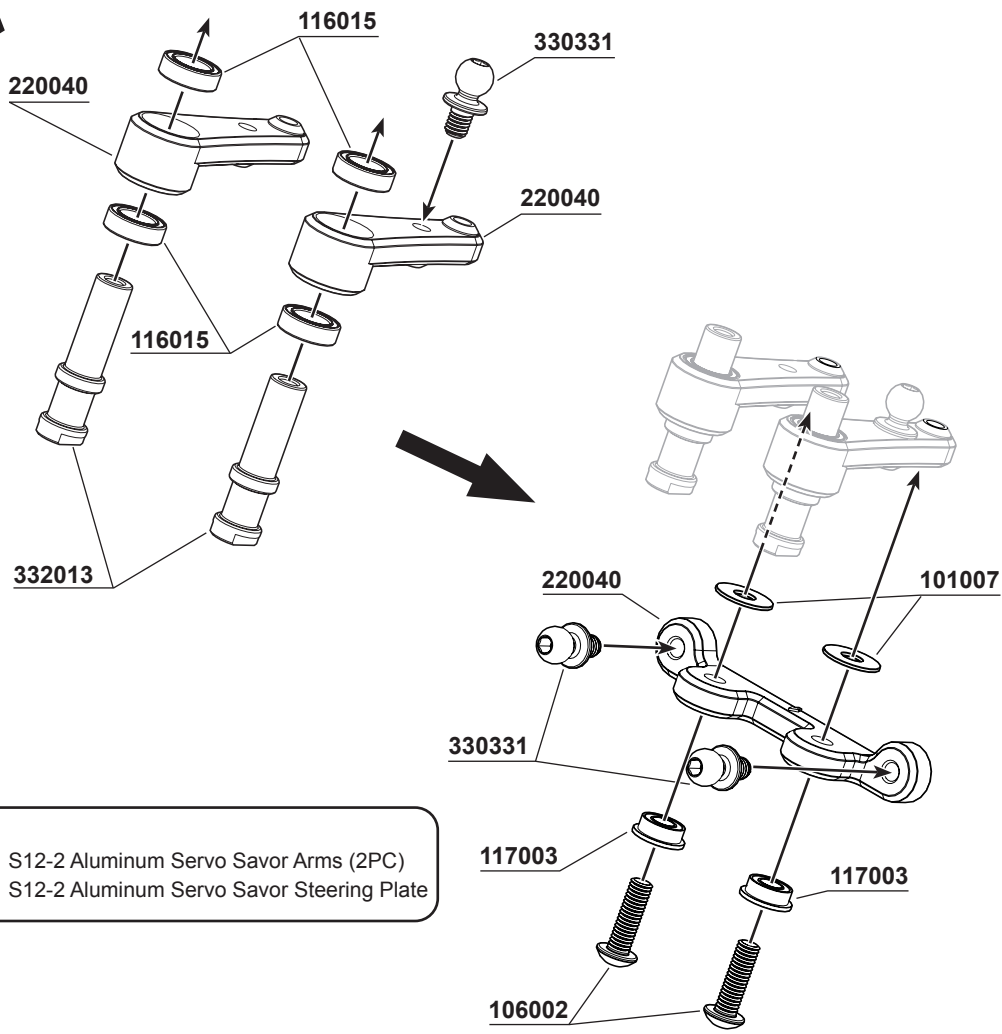
116015
Ball Bearing 5x8x2.5mm x4



117003
Flange Ball Bearing 3x6x2.5mm x2



101007
Washer 3x8x0.5mm x2



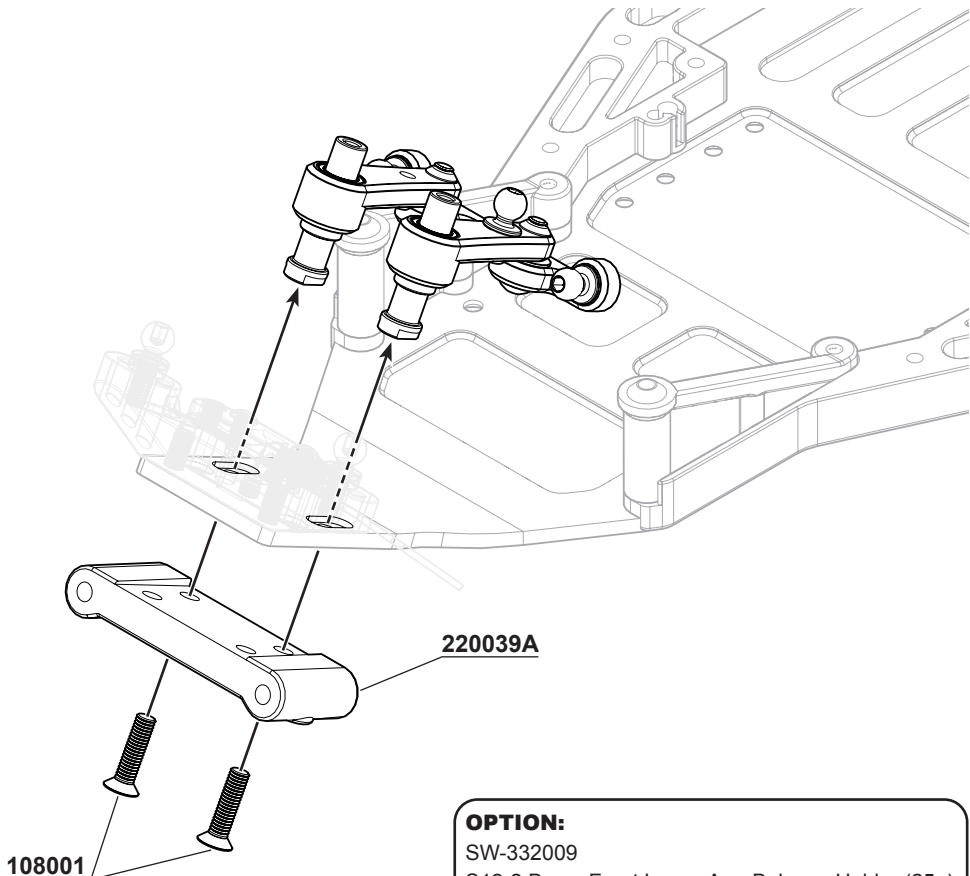
OPTION:
 SW-332045 S12-2 Aluminum Servo Savor Arms (2PC)
 SW-332046 S12-2 Aluminum Servo Savor Steering Plate

BAG D

12



108001
M3x12mm FH/ST HEX Screw x2



OPTION:
 SW-332009 S12-2 Brass Front Lower Arm Balance Holder (25g)



106002
M3x10mm Hex Socket OH/TP Screw x4



108006
M3x8mm FH/ST HEX Screw x3



104012
M3x12mm Set Screw x1



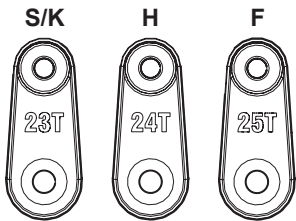
101012
Washer M3x6xT0.5mm x4



101026
SWORKz Aluminum Washer 3X6X1.5mm x2



330331
Steering Linkage Ball Stud 5mm x1



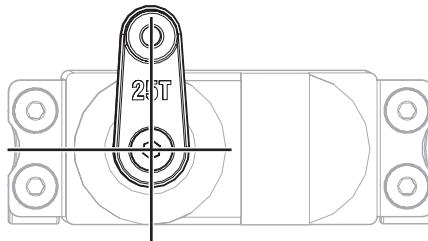
2502401BK

STEP 2.

Only SWORKz original plastic servo horn (SW-2502401-BK) or aluminum servo horn (SW-330690/330692) can fit the steering system.

STEP 1.

Please make sure that your steering servo is centered before mounting the servo saver horn.



STEP 3.

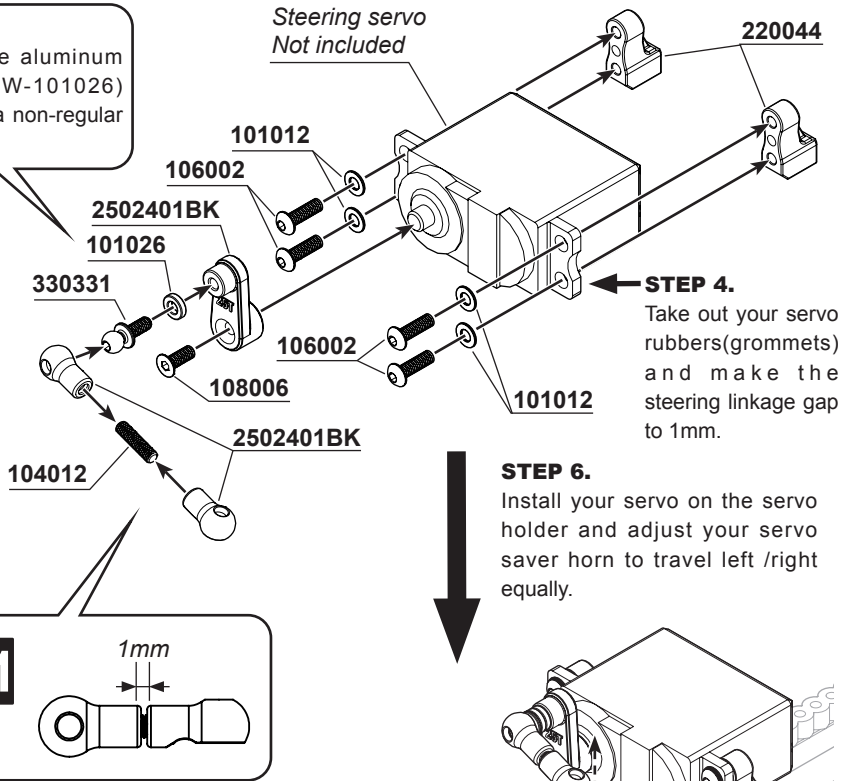
Mount the servo saver horn in a 90 degree position onto the servo.

13

STEP 5.

Take out the aluminum washers (SW-101026) when using a non-regular servo size.

Steering servo
Not included

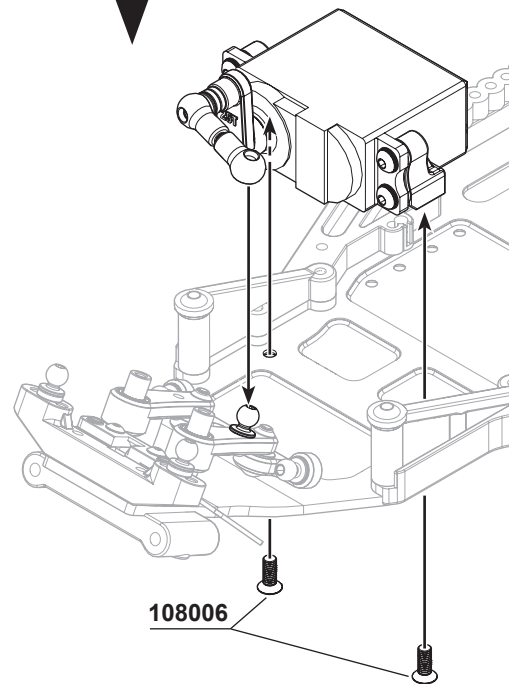


STEP 4.

Take out your servo rubbers (grommets) and make the steering linkage gap to 1mm.

STEP 6.

Install your servo on the servo holder and adjust your servo saver horn to travel left /right equally.



14



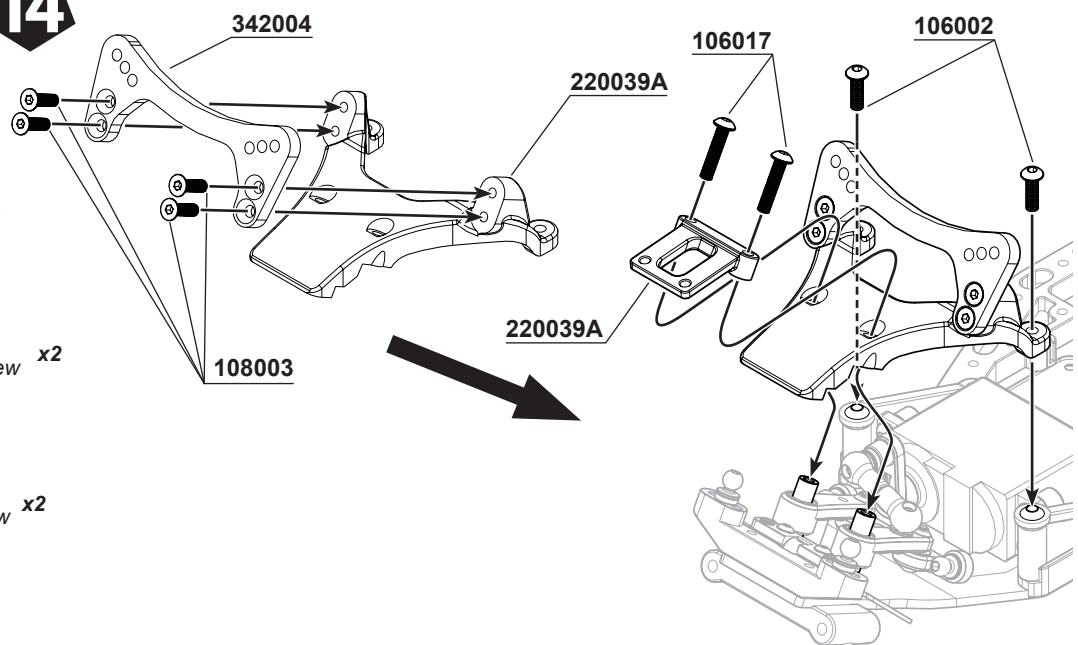
108003
M3x10mm FH/ST HEX Screw x4



106002
M3x10mm Hex Socket OH/TP Screw x2



106017
M3x14mm Hex Soked OH/TP Screw x2





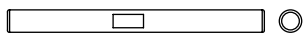
108005
M3x14mm FH/ST HEX Screw x2



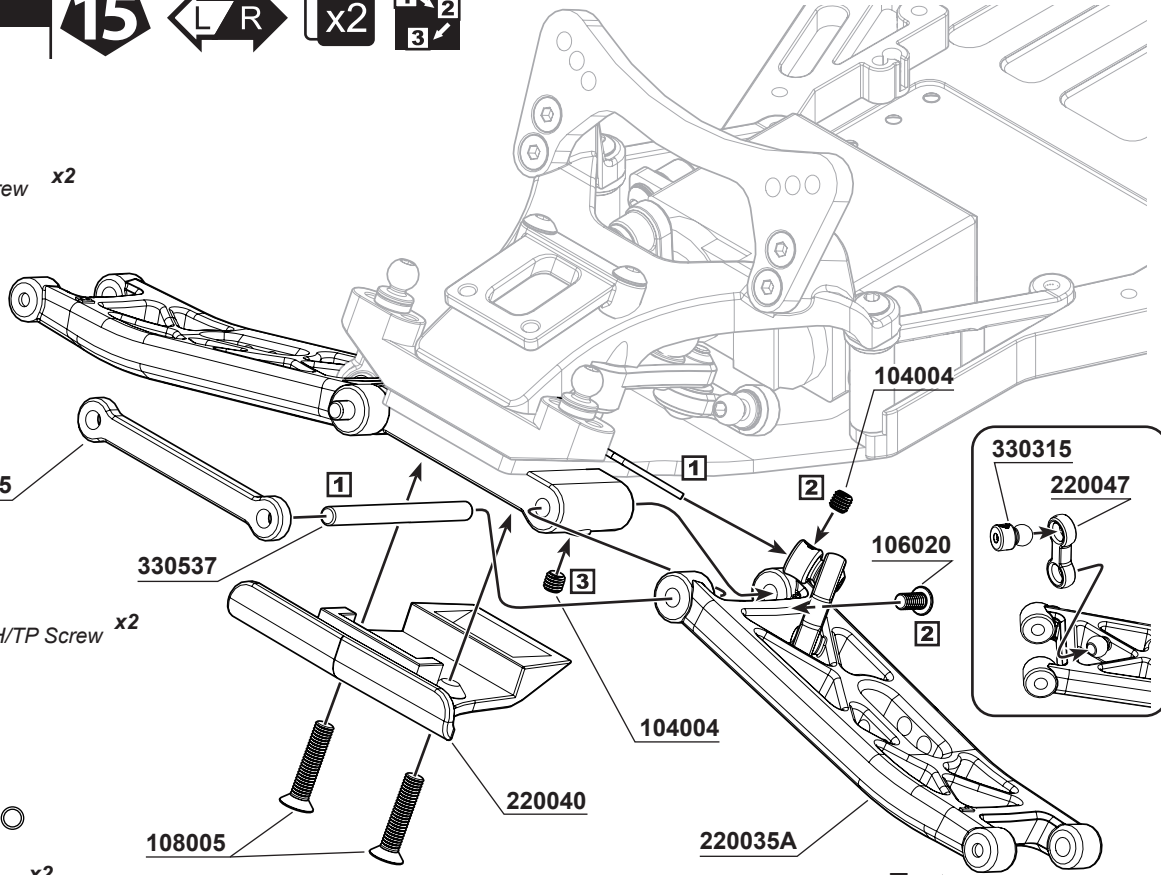
106020
M2.5x5mm Hex Socket OH/TP Screw x2



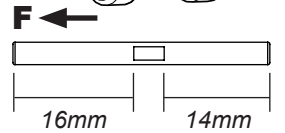
104004
M3x3mm Set Screw x4



330537
Rear Hub Carriers Hinge Pin x2



OPTION:
SW-220035H
S12-2 Front Lower Arm Set in Pro-composite Hard Material



106010
M3x6mm FH/ST HEX Screw x2



106001
M3x8mm Hex Socket OH/TP Screw x4



106008
M3x12mm Hex Socket OH/TP Screw x2



106017
M3x14mm Hex Soked OH/TP Screw x2



103001
M3 Nut Lock x2



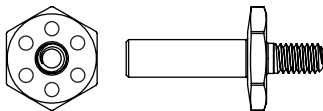
330643
Steering Linkage Ball Stud 5mm x4



116010R
Ball Bearing 5x10x4mm (Red Rubber Case) x4

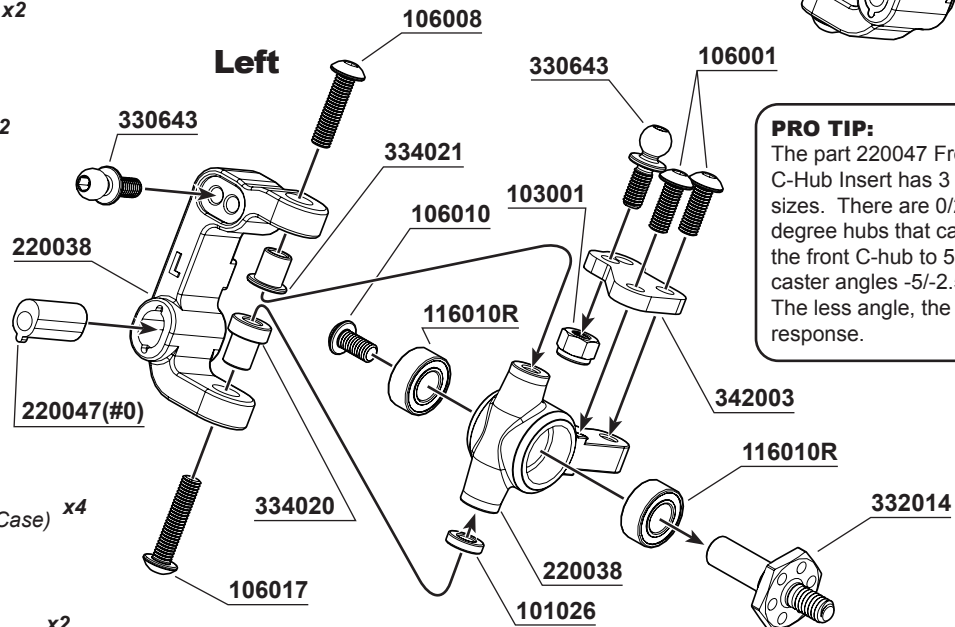
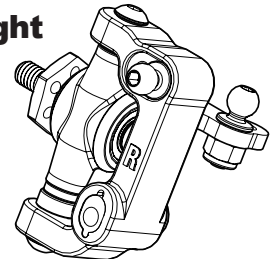


101026
SWORKz Aluminum Washer 3X6X1.5mm x2



332014
Steering Hub Hinge Pin x2

Right



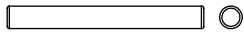
PRO TIP:
The part 220047 Front C-Hub Insert has 3 different sizes. There are 0/2.5/5 degree hubs that can change the front C-hub to 5 different caster angles -5/-2.5/0/2.5/5. The less angle, the faster the response.



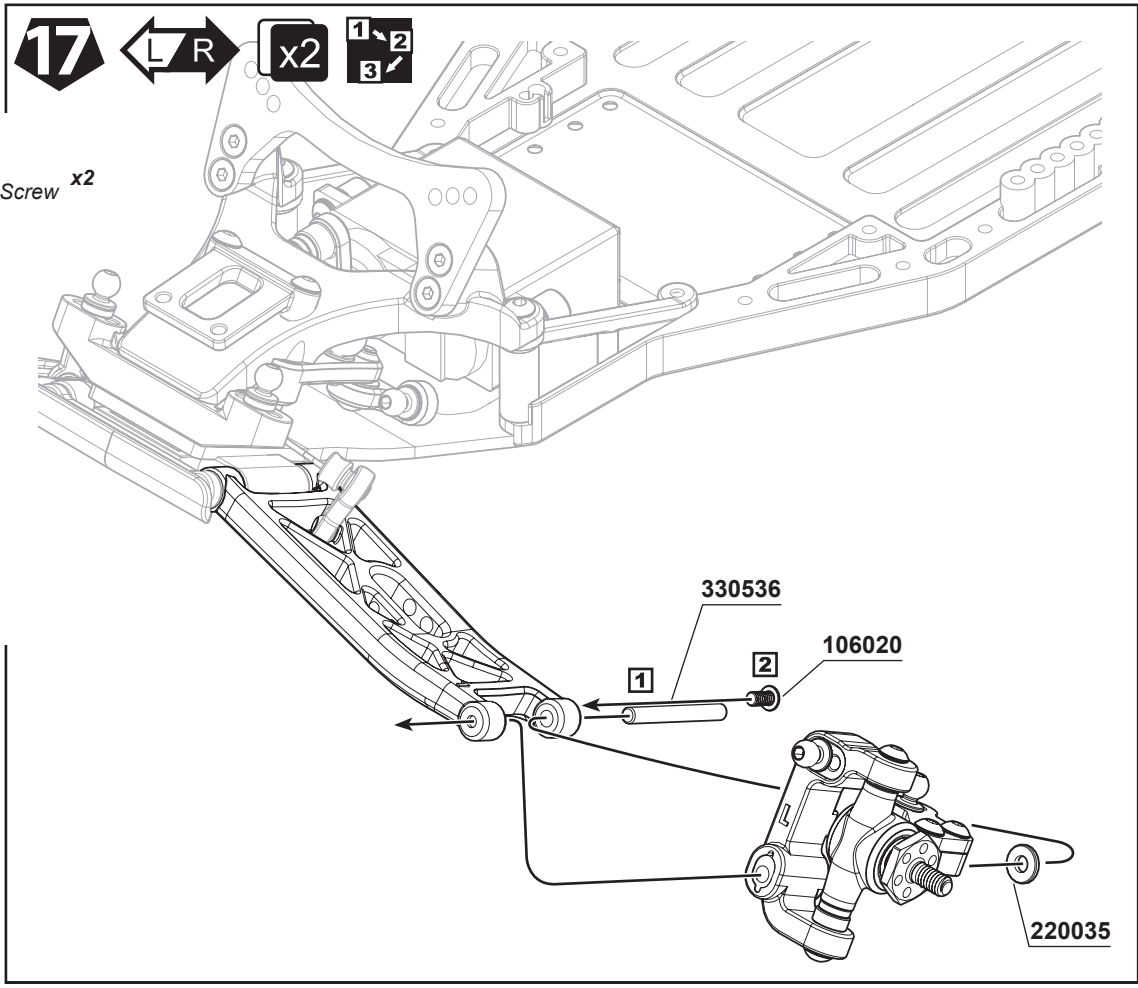
106020
M2.5x5mm Hex Socket OH/TP Screw x2



220035
Insert M3x7xT1mm x2



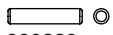
330536
Rear Hub Carriers Hing Pin x2



106014
M2.0x6mm Hex Socket OH/TP Screw x2



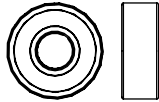
338011
SWORKz Pinion Gear Stopper (5x7x5.1mm) x2



330283
Pin M2x10mm x2

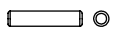


116010R
Ball Bearing 5x10x4mm (Red Rubber Case) x4

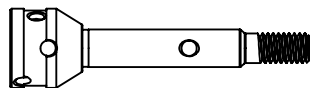


116019R
Ball Bearing 5X13X4mm (Red Rubber Case) x2

Spare Parts of CVD



330283
Pin M2x10mm x2



332010
S12-2 CVD Axil x2



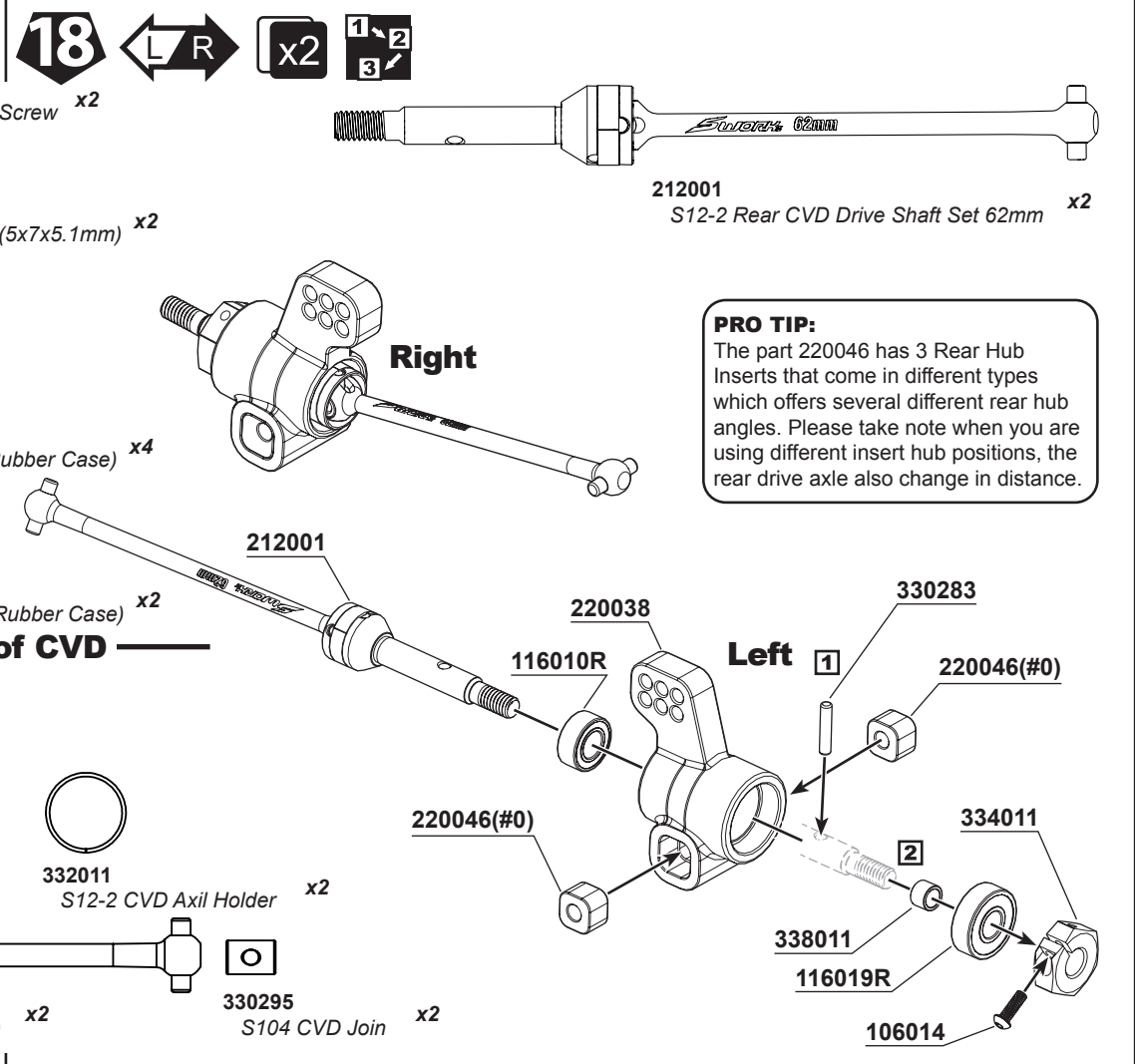
332011
S12-2 CVD Axil Holder x2



332012
S12-2 Rear Drive Shaft (62mm) x2



330295
S104 CVD Join x2



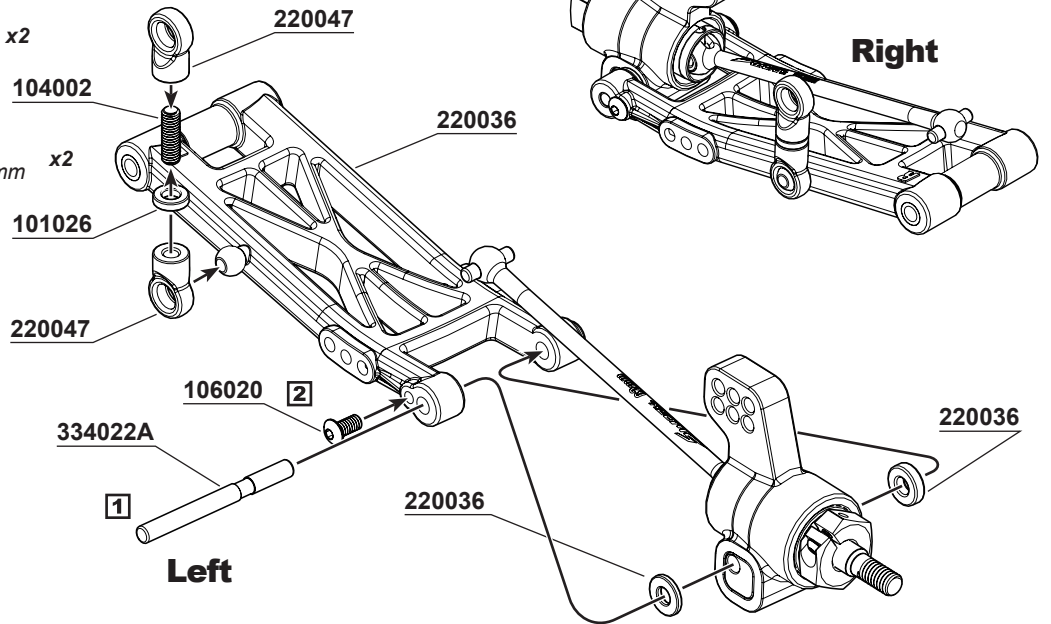
PRO TIP:
The part 220046 has 3 Rear Hub Inserts that come in different types which offers several different rear hub angles. Please take note when you are using different insert hub positions, the rear drive axle also change in distance.



106020
M2.5x5mm Hex Socket OH/TP Screw x2



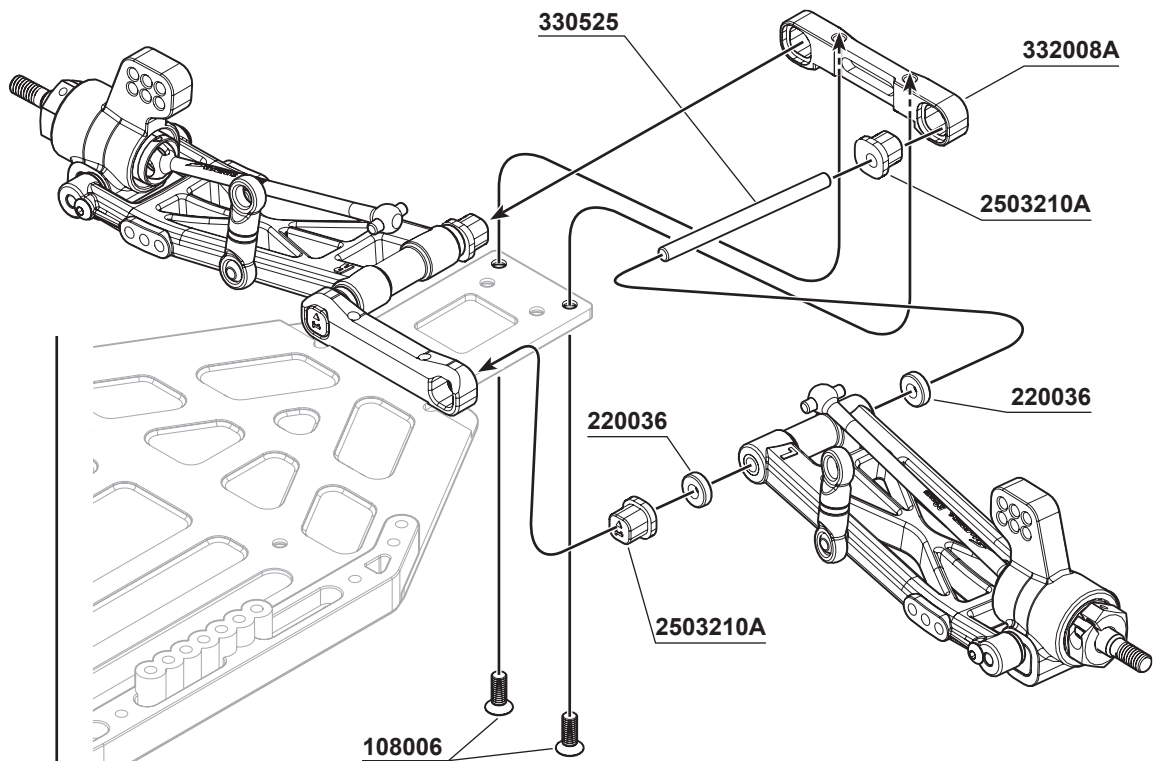
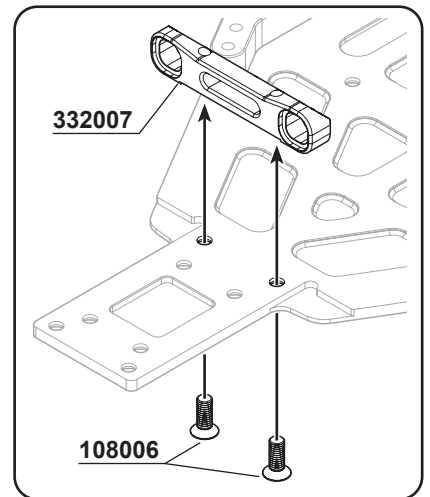
101026
SWORKz Aluminum Washer 3X6X1.5mm x2





108006
M3x8mm FH/ST HEX Screw x4




OPTION:
SW-362001 S12-2 15g Brass Rear Lower Arm Holder (RF)




 **104004**
M3x3mm Set Screw x3

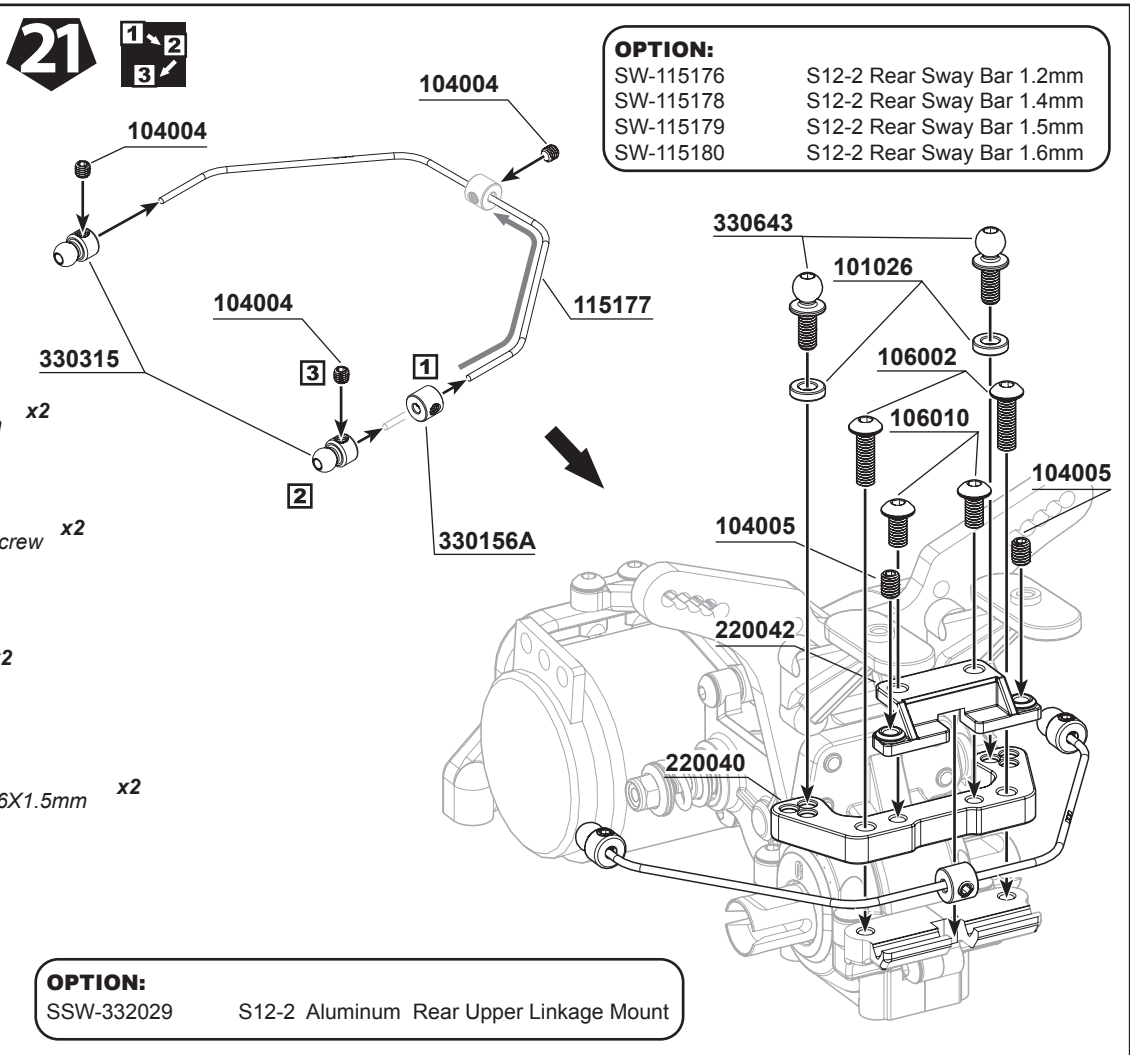
 **104005**
M3x4mm Set Screw x2

 **330643**
Steering Linkage Ball Stud 5mm x2

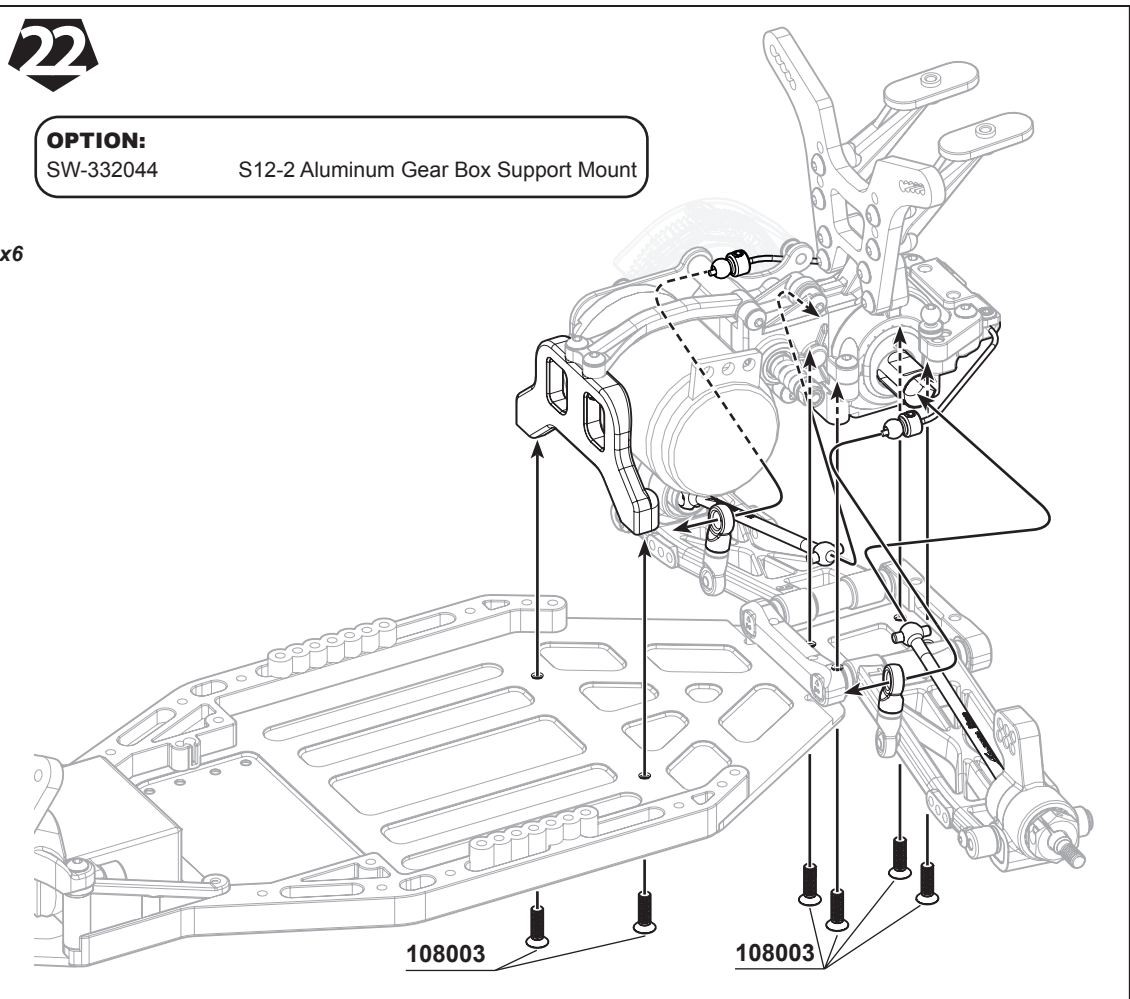
 **106002**
M3x10mm Hex Socket OH/TP Screw x2

 **106010**
M3x6mm FH/ST HEX Screw x2

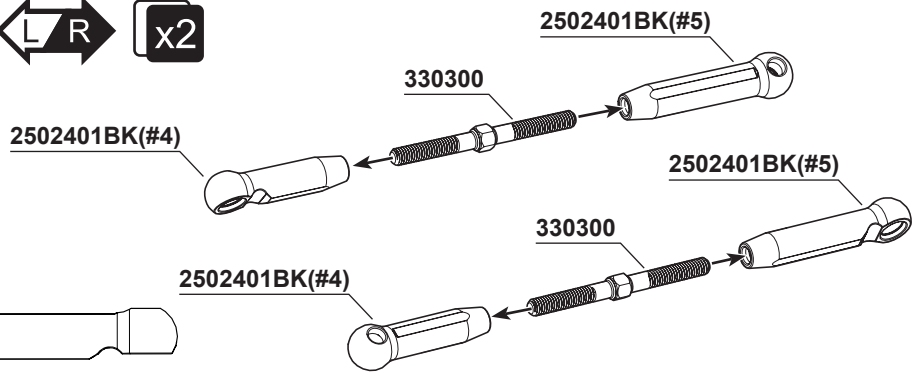
 **101026**
SWORKz Aluminum Washer 3X6X1.5mm x2



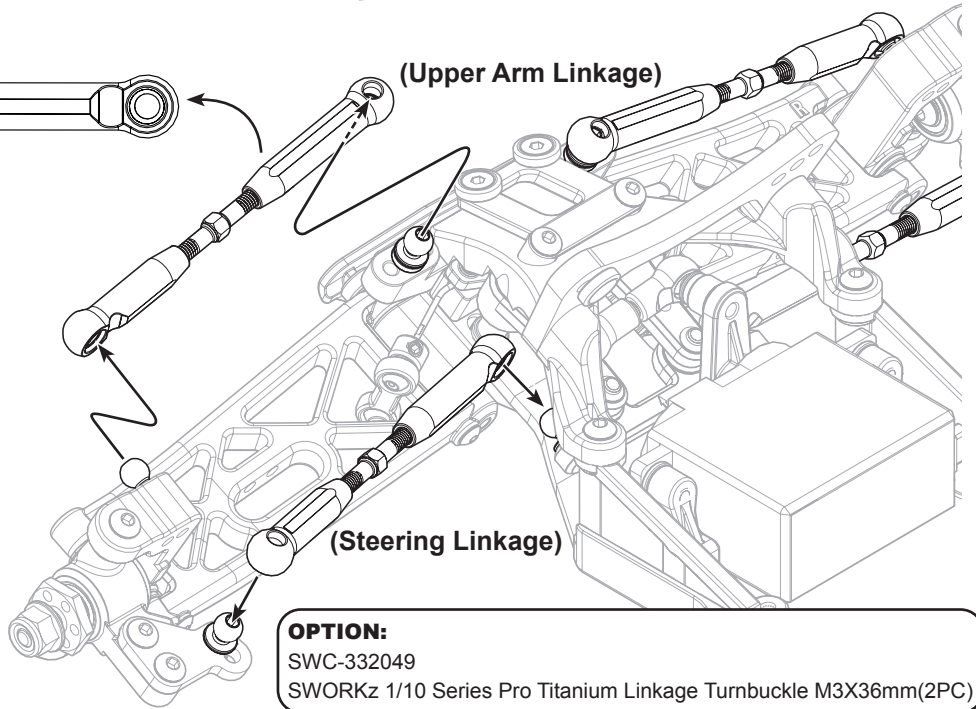
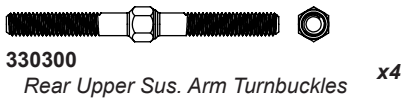
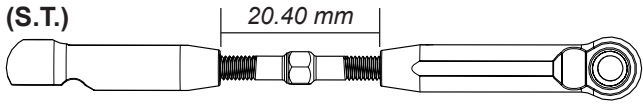
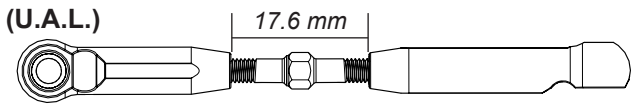
 **108003**
M3x10mm FH/ST HEX Screw x6



23 x2

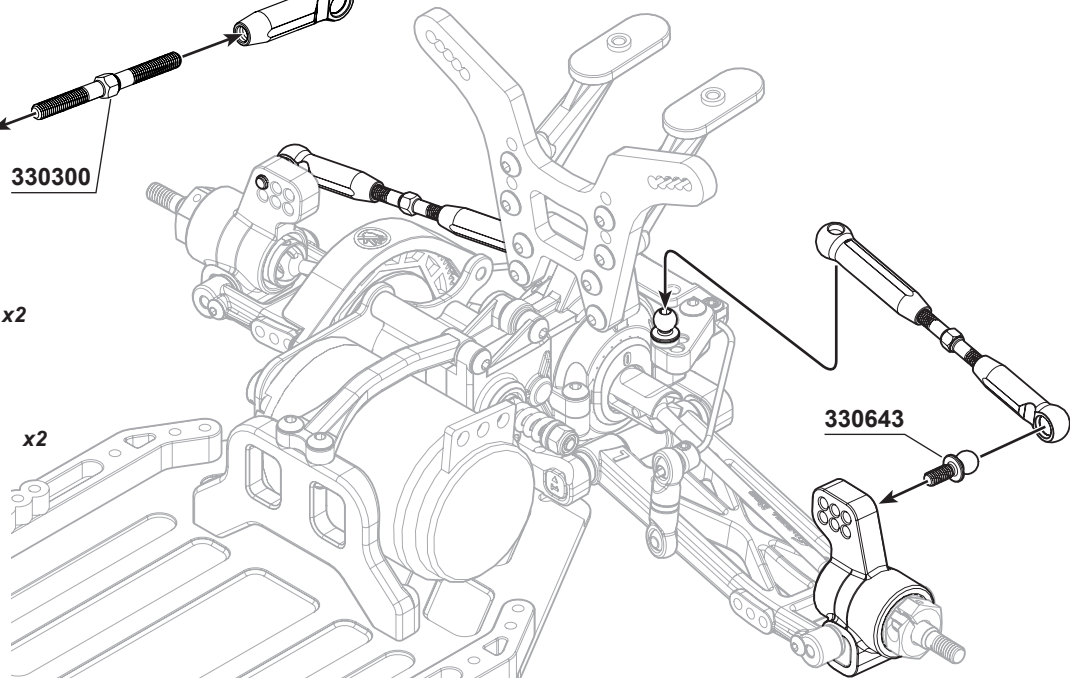
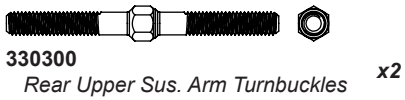
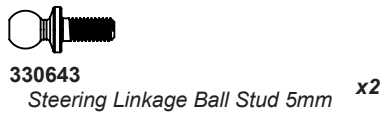
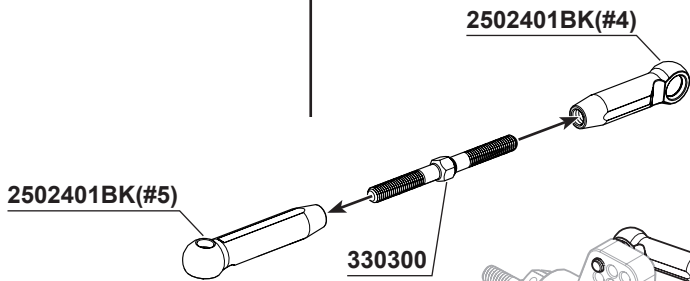
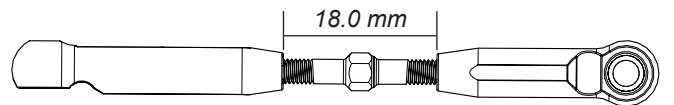


1:1



24 x2

1:1



106014
M2x6mm Hex Soket OH/TP Screw **x4**

220049-5
Shock Washer 3.0X6.3X2.0mm **x8**

101011
Shock Washer 2.6x6x0.5mm **x4**

220049-5
Shock Washer 3.0X6.3X0.9mm **x4**

400025
SWORKz 1/10 Series Pro Shock System Seal O-ring **x8**

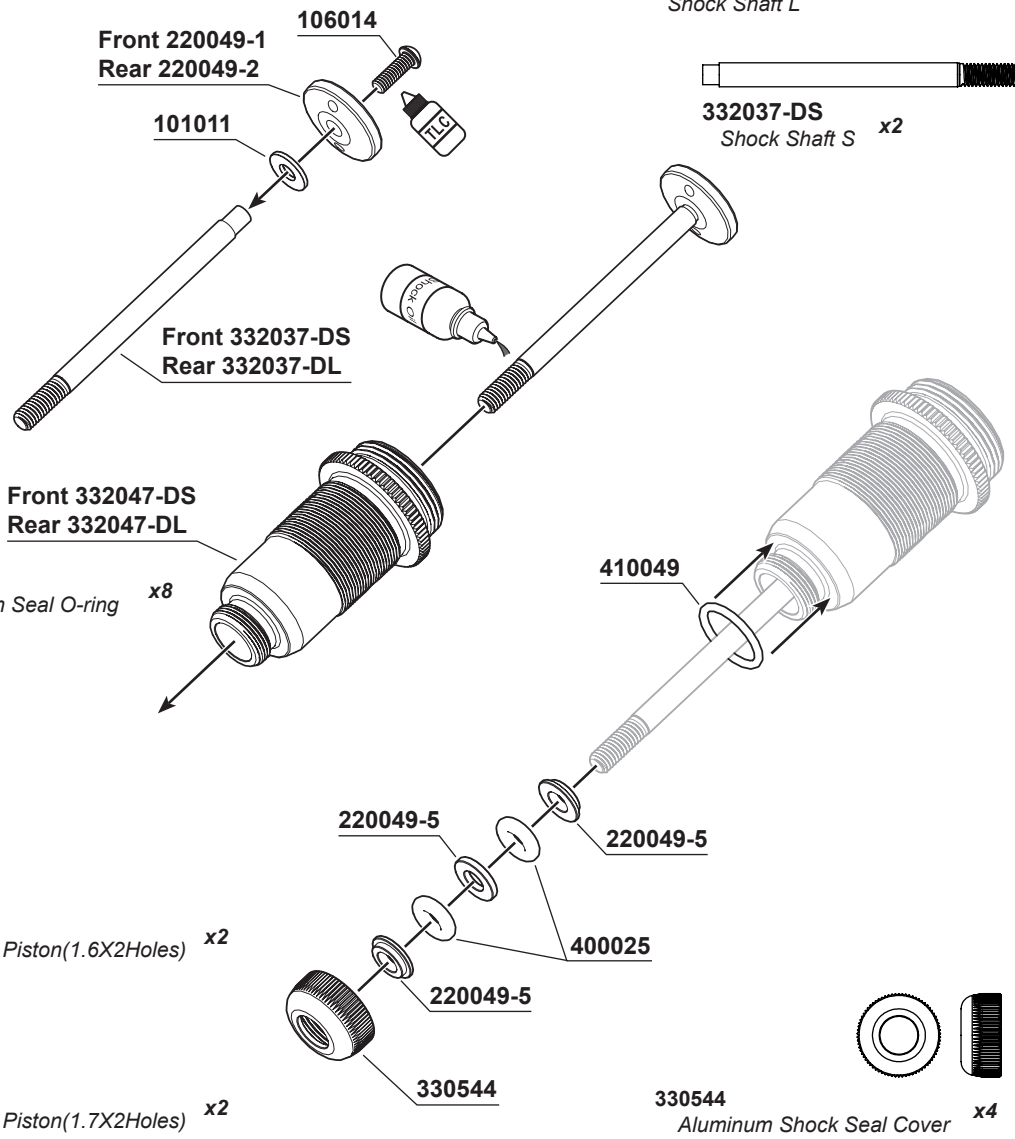
410049
Shock Seal Cap O-ring 8x10x1mm **x4**

220049-1
SWORKz 1/10 Precision Plastic Shock Piston(1.6X2Holes) **x2**

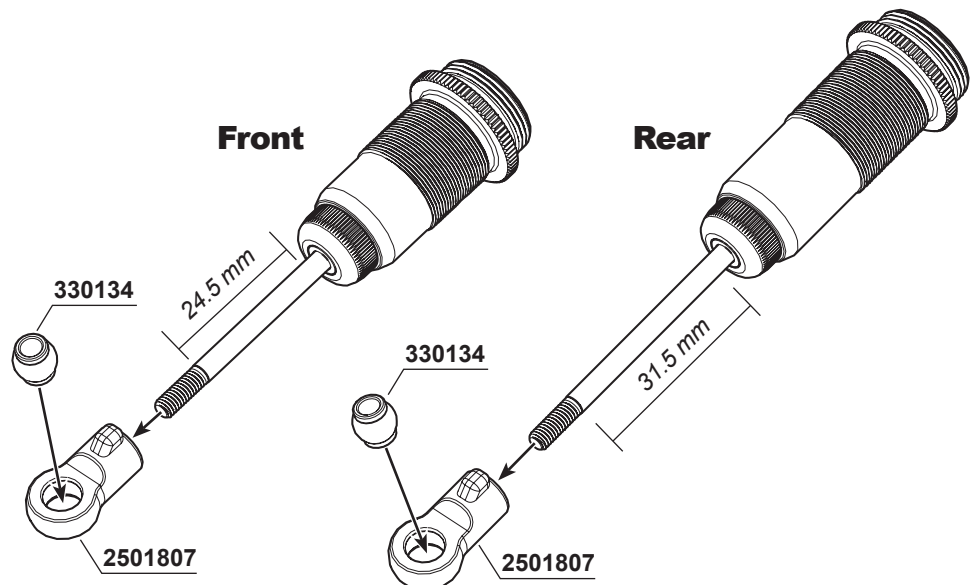
220049-2
SWORKz 1/10 Precision Plastic Shock Piston(1.7X2Holes) **x2**

332037-DL
Shock Shaft L **x2**

332037-DS
Shock Shaft S **x2**

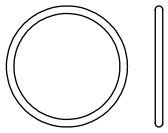


330134
Shock Ball Stud **x4**

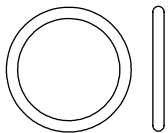
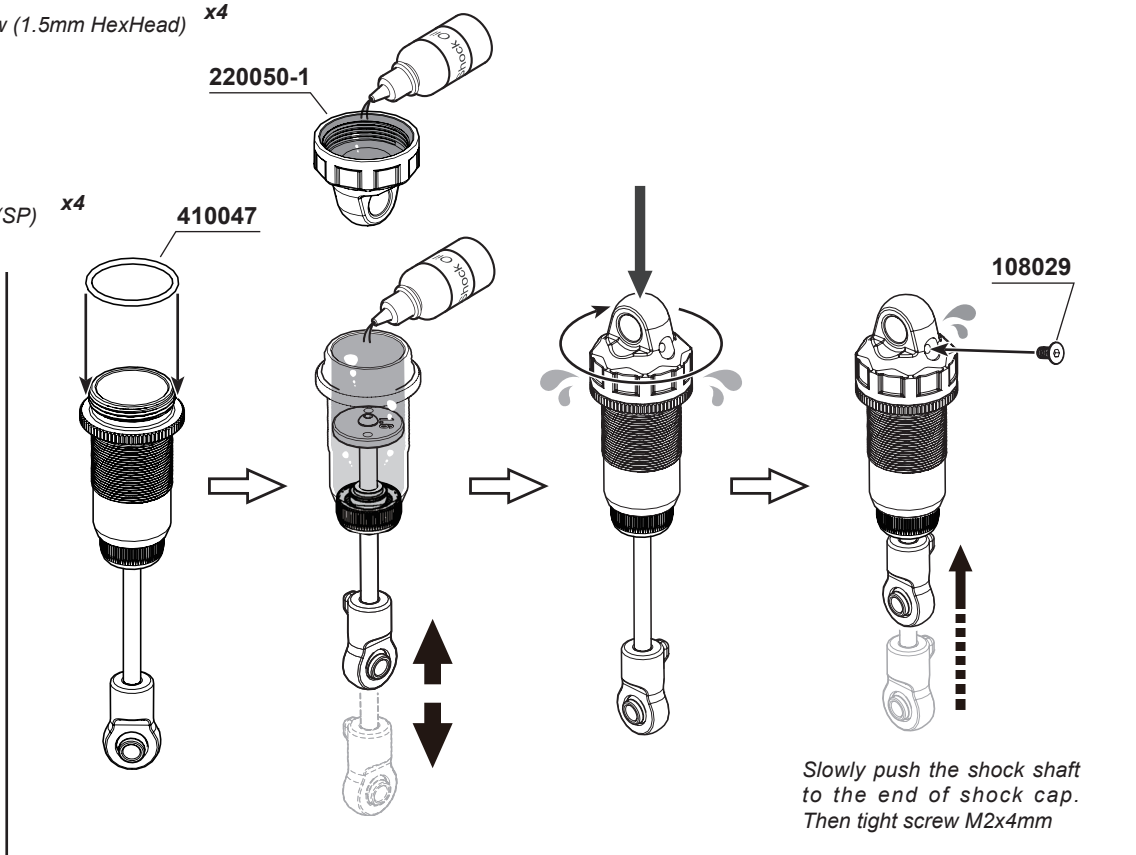




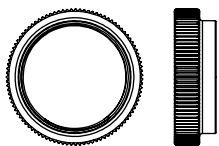
108029
M2.0x4.6mm FH/ST HEX Screw (1.5mm HexHead) **x4**



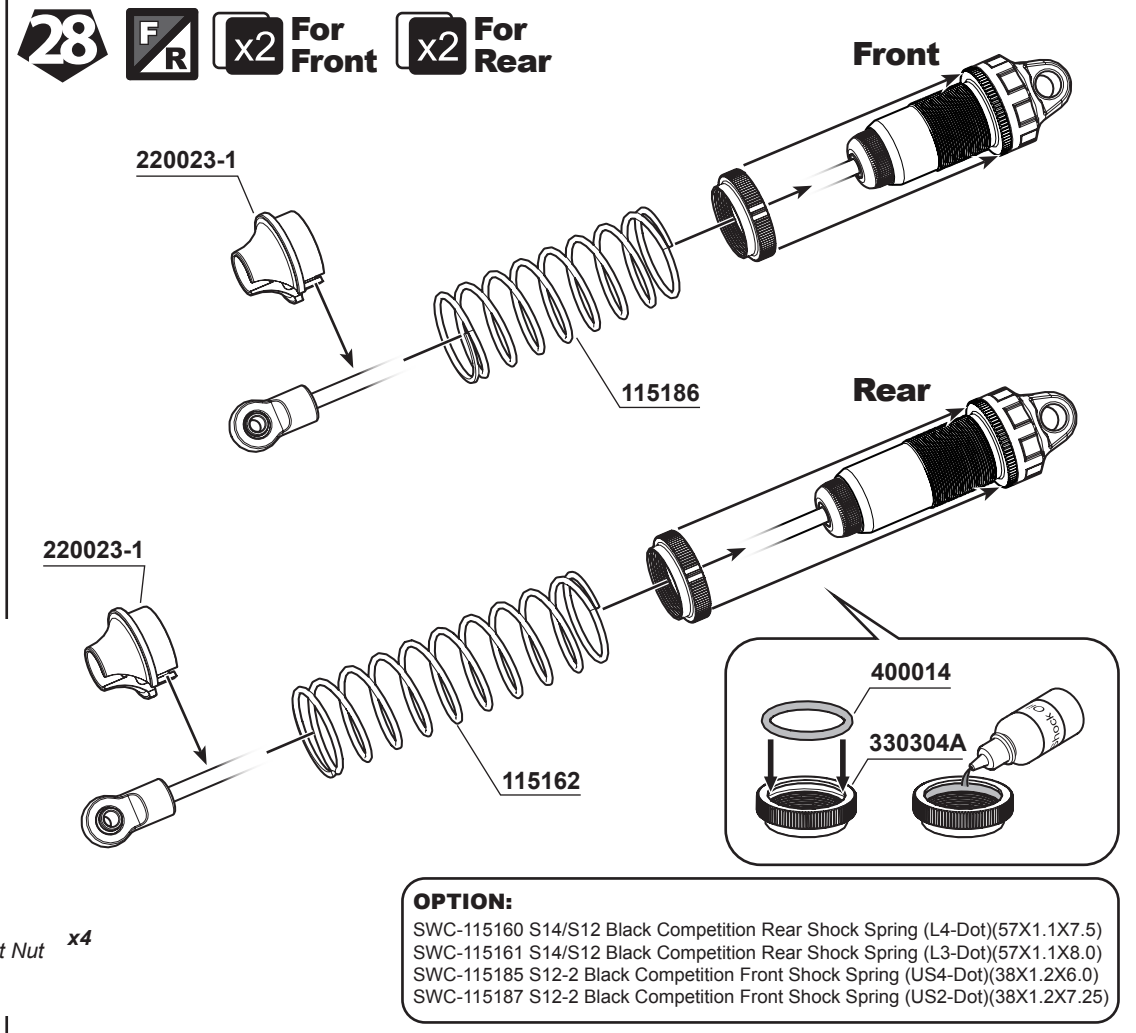
410047
SWORKz Shock Cap O-Ring (SP) **x4**



400014
O-Ring 1.5x13.5mm **x4**



330304A
Aluminum Shock Spring Adjust Nut **x4**





105021
M3x6mm Taper head screw x2



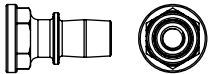
108001
M3x12mm FH/ST HEX Screw x2



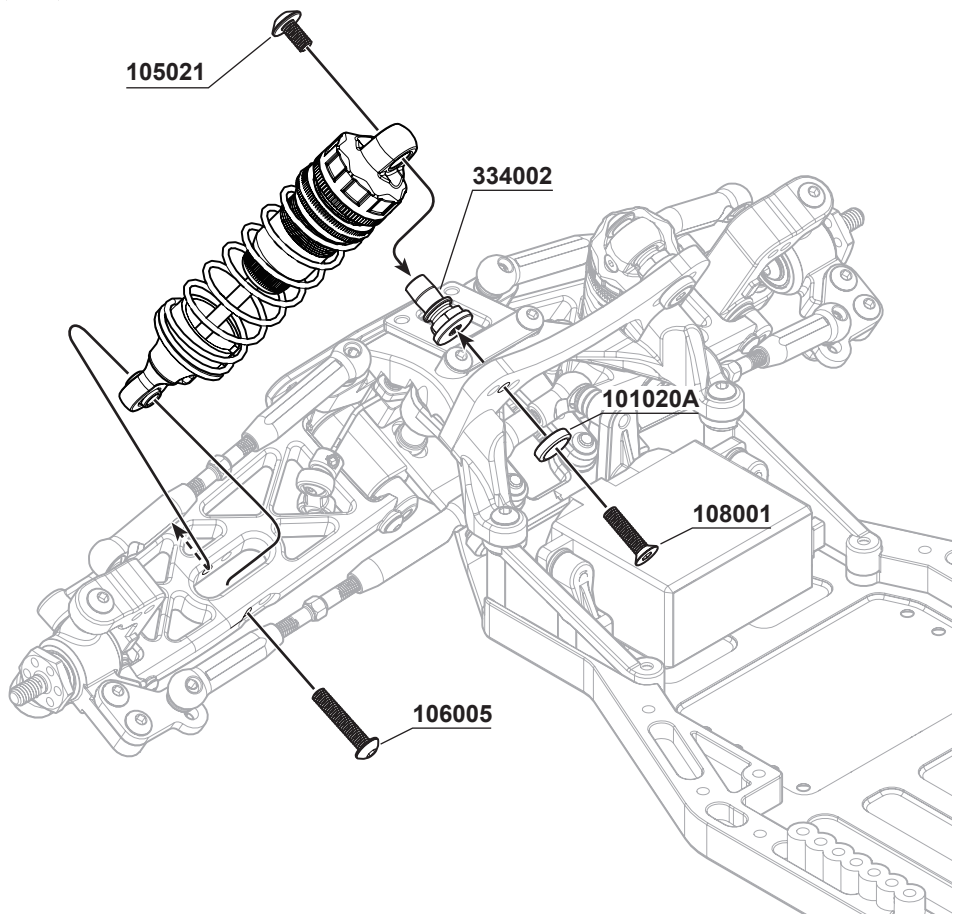
106005
M3x15mm Hex Socket OH/TP Screw x2



101020A
3mm Countersunk Washers (GM) x2



334002
Aluminum Shock Cap Stud x2



105021
M3x6mm Taper head screw x2



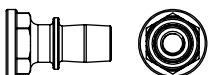
108001
M3x12mm FH/ST HEX Screw x2



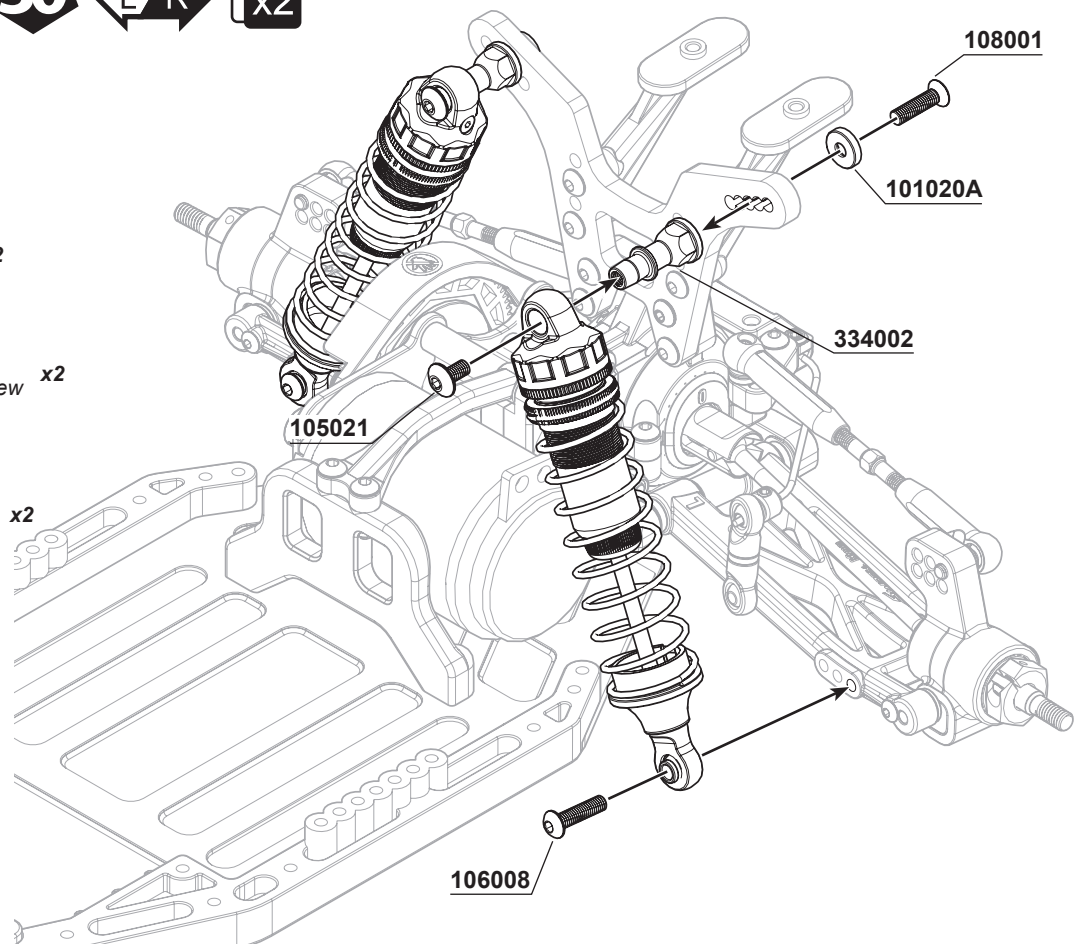
106008
M3x12mm Hex Socket OH/TP Screw x2



101020A
3mm Countersunk Washers (GM) x2



334002
Aluminum Shock Cap Stud x2



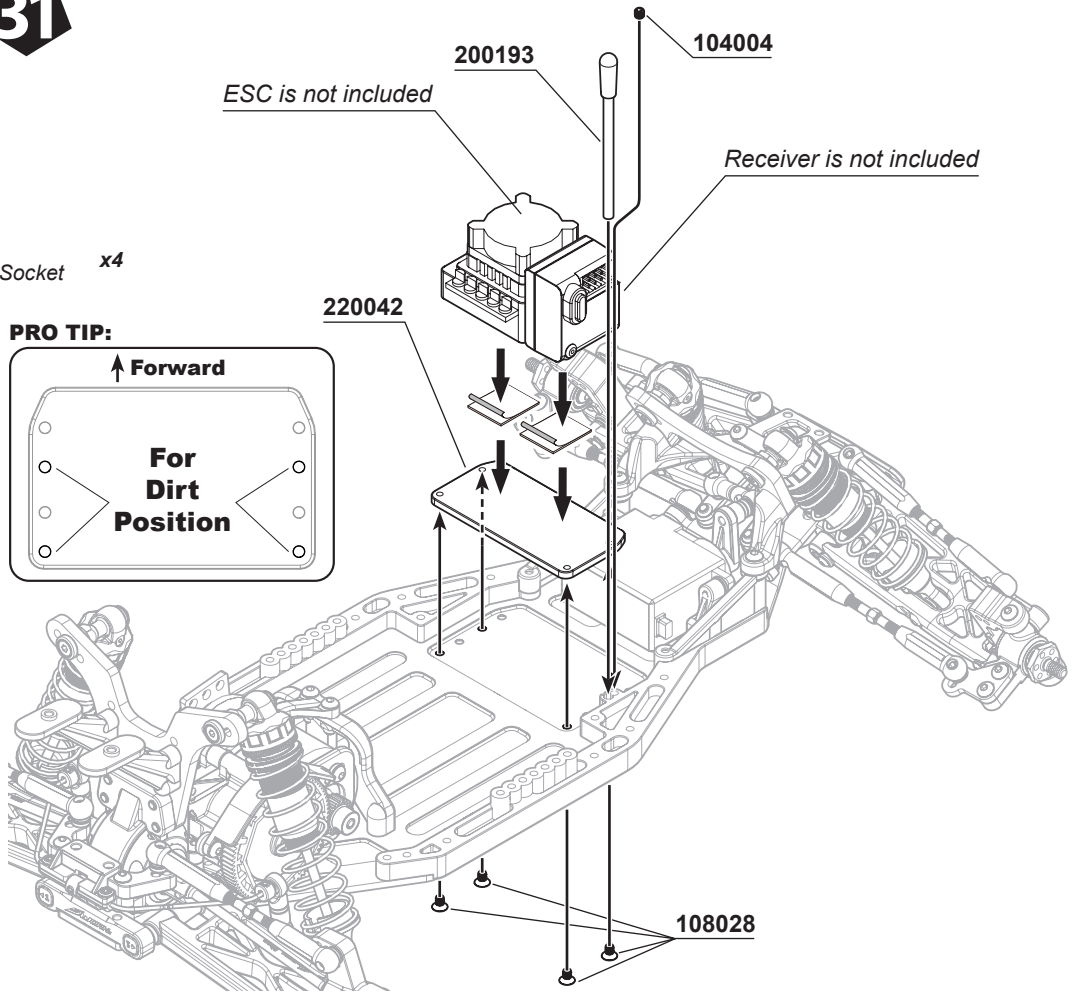
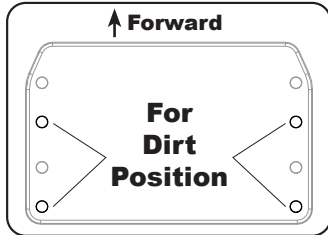


104004
M3x3mm Set Screw **x1**

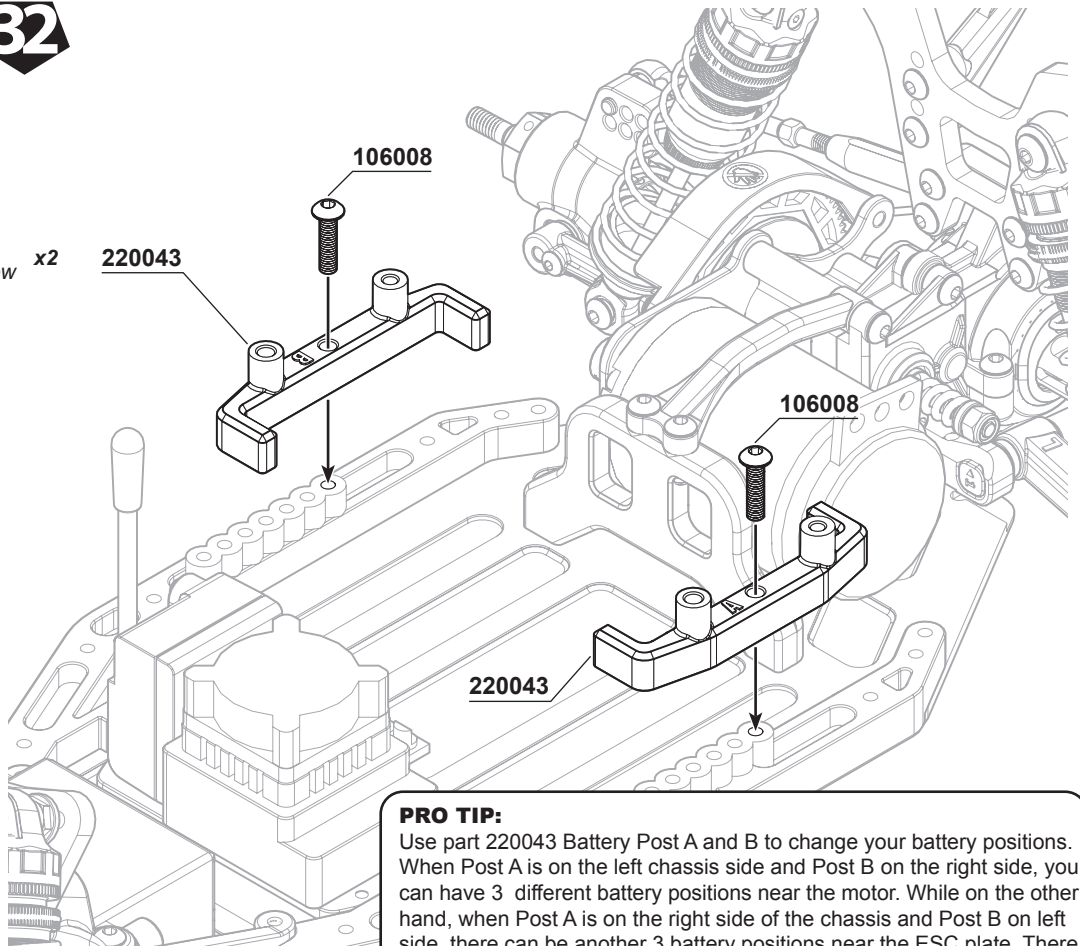


108028
M2.6x4mm Flat Head Screw - Hex Socket **x4**

PRO TIP:

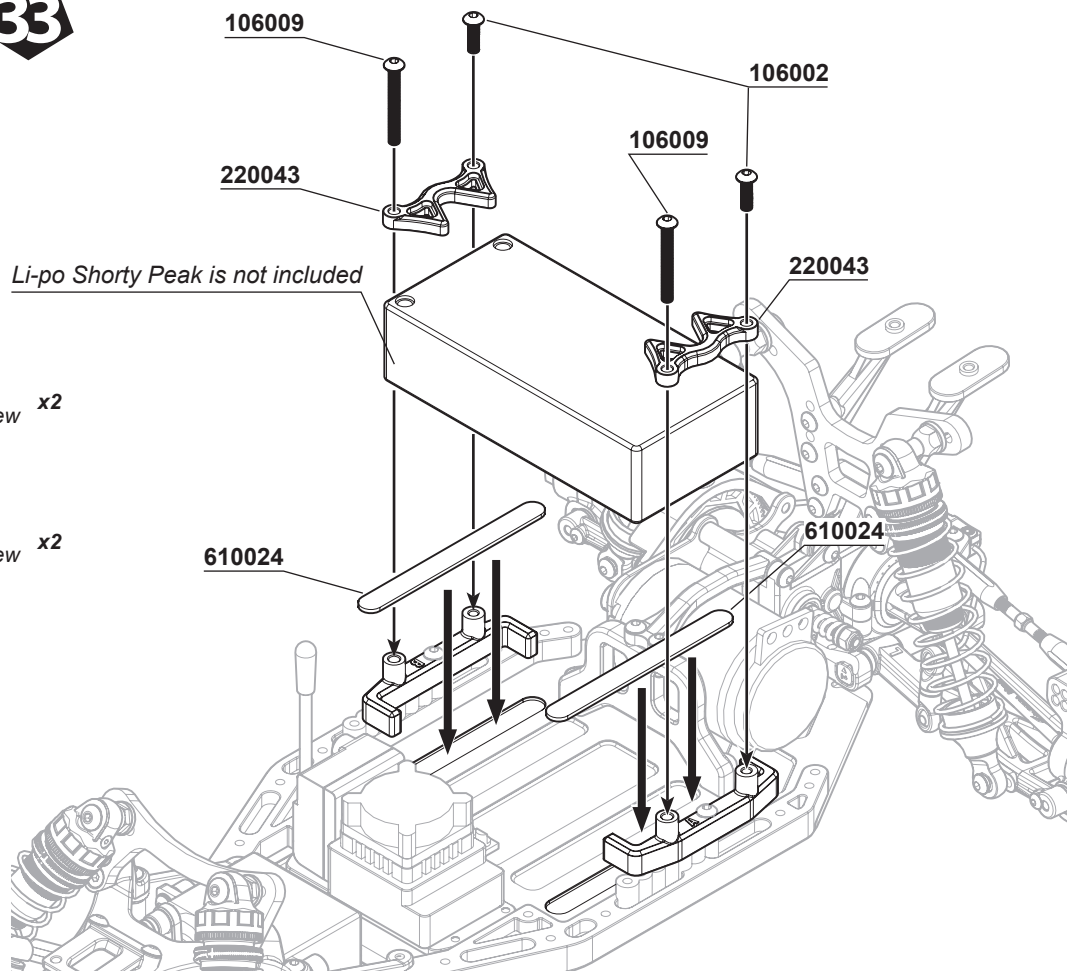
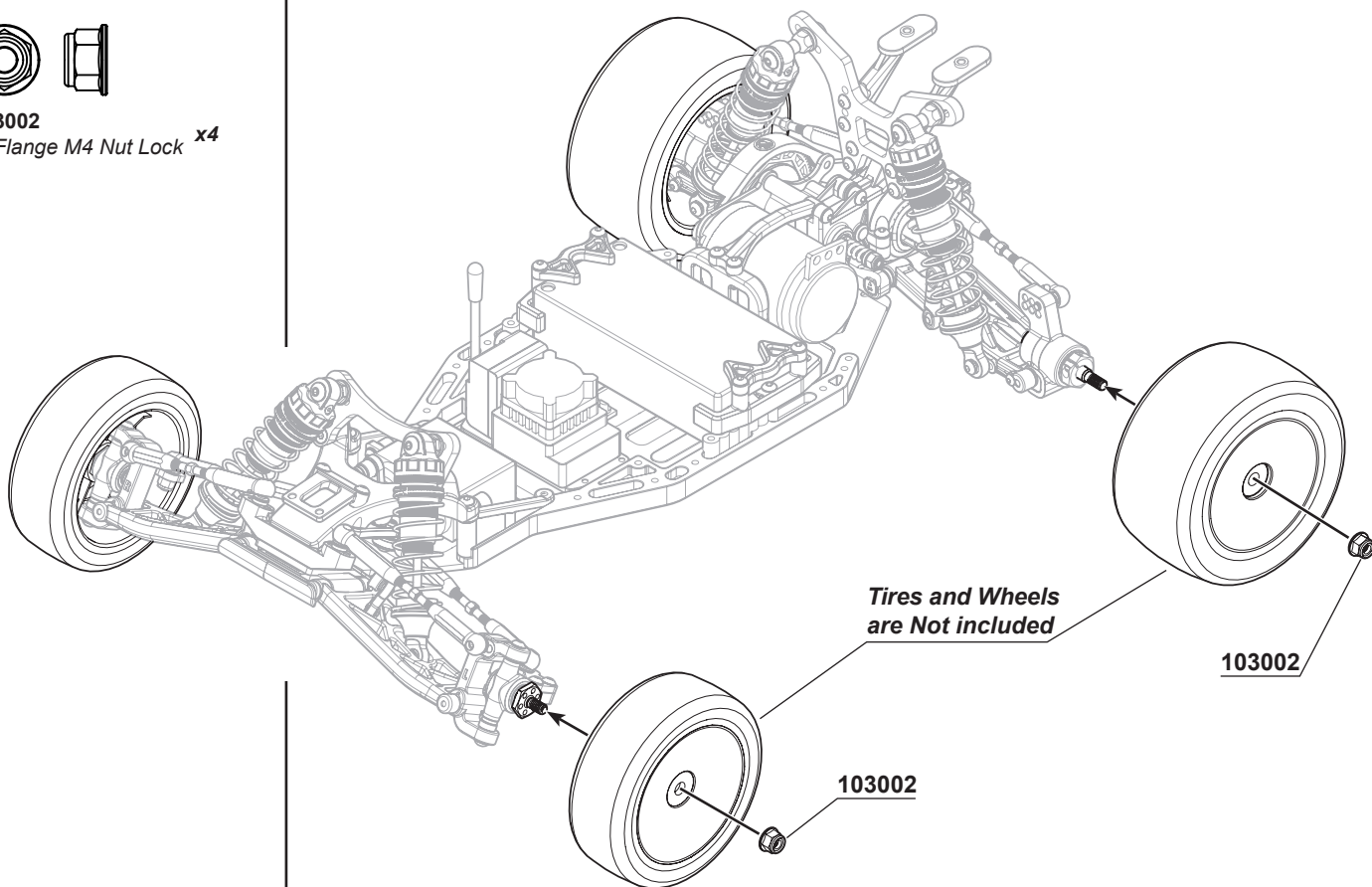


106008
M3x12mm Hex Socket OH/TP Screw **x2**



PRO TIP:

Use part 220043 Battery Post A and B to change your battery positions. When Post A is on the left chassis side and Post B on the right side, you can have 3 different battery positions near the motor. While on the other hand, when Post A is on the right side of the chassis and Post B on left side, there can be another 3 battery positions near the ESC plate. There are a total of 6 different positions to place the shorty battery.

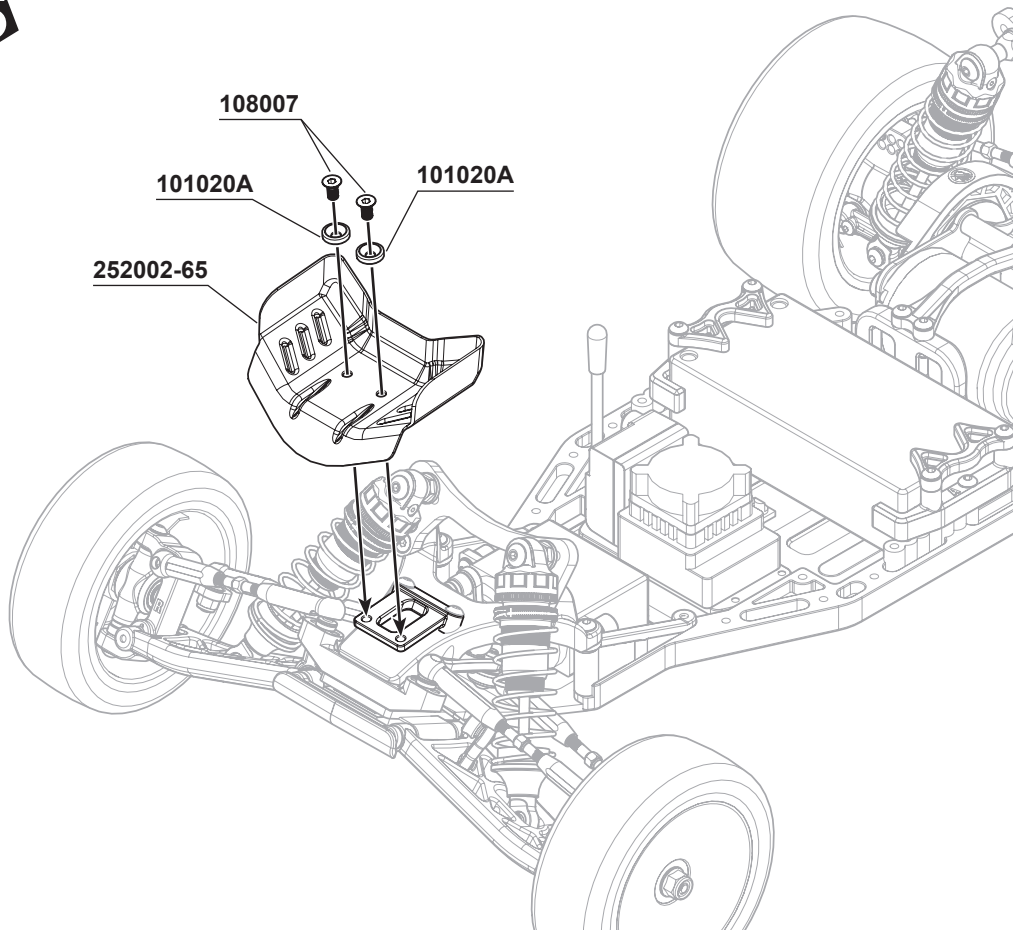
BAG D**33****106002**
M3x10mm Hex Socket OH/TP Screw x2**106009**
M3x25mm Hex Socket OH/TP Screw x2*Li-po Shorty Peak is not included***BAG F****34****F**
R**L**
R**x2****103002**
Flange M4 Nut Lock x4



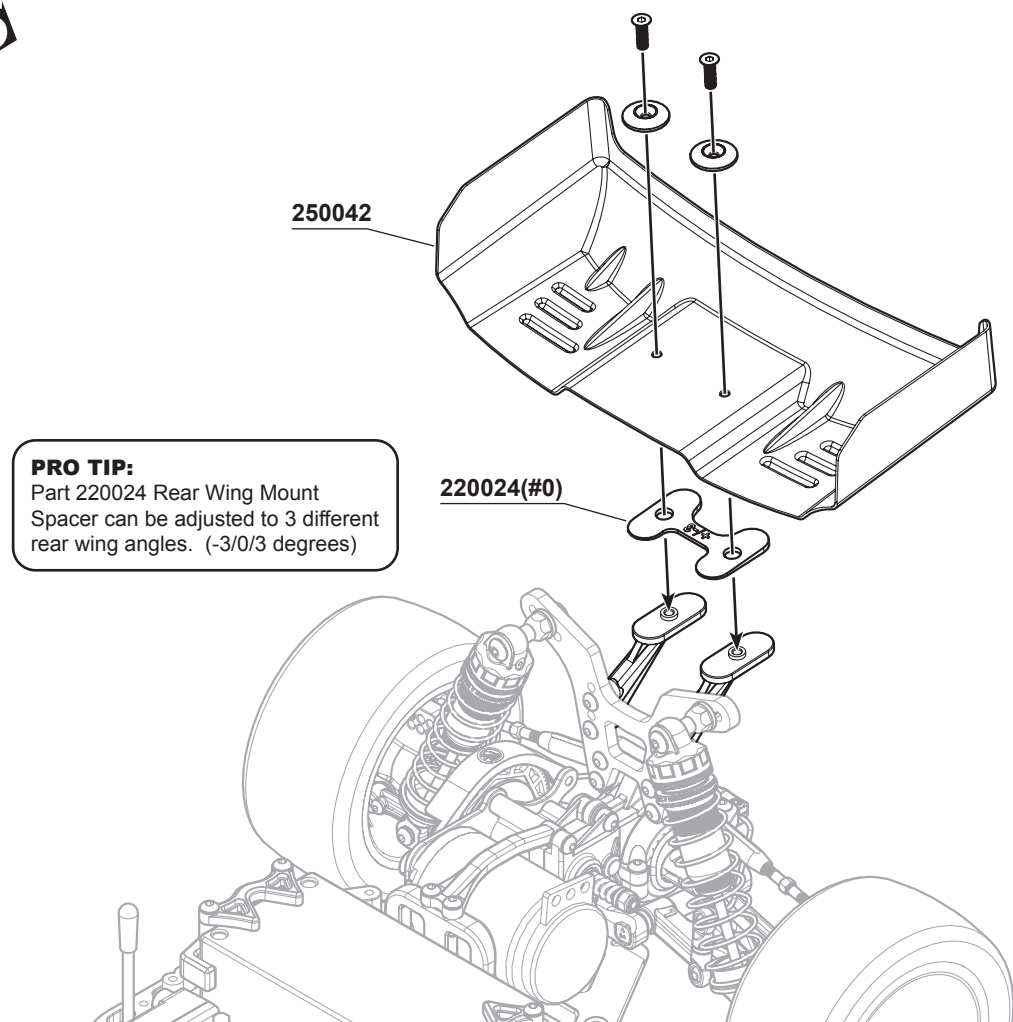
108007
M3x6mm FH/ST HEX Screw x2



101020A
3mm Countersunk Washers (RD) x2

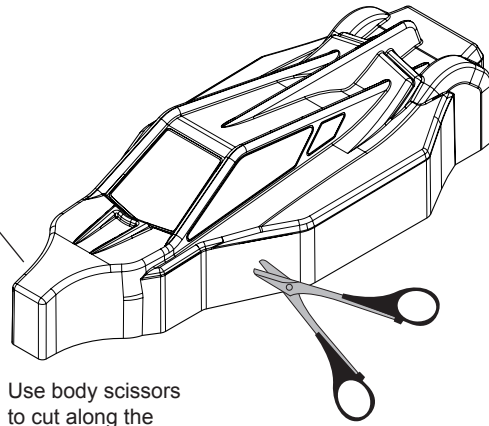


108003
M3x10mm FH/ST HEX Screw x2



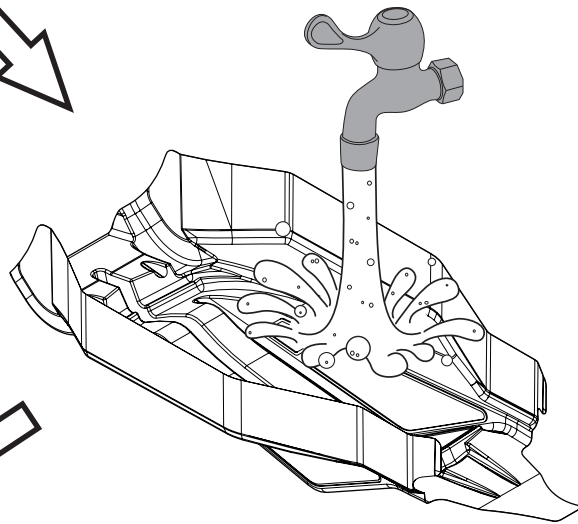
PRO TIP:
Part 220024 Rear Wing Mount Spacer can be adjusted to 3 different rear wing angles. (-3/0/3 degrees)

252001

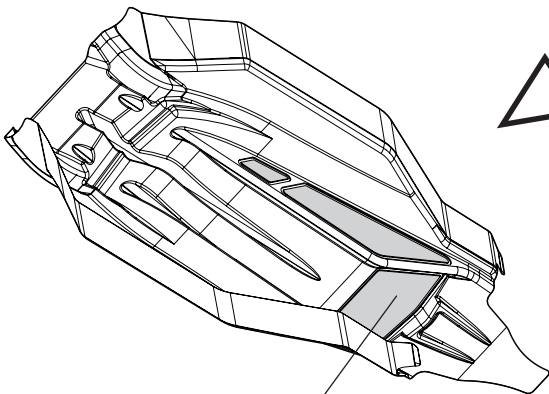


Use body scissors to cut along the body lines.

Use water/washing solution to clean body.

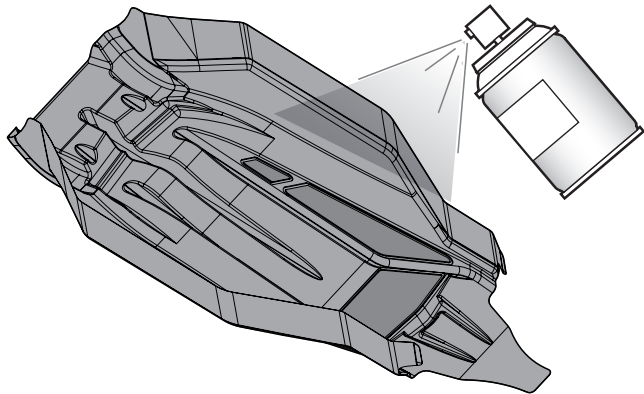


Apply window masks as shown.

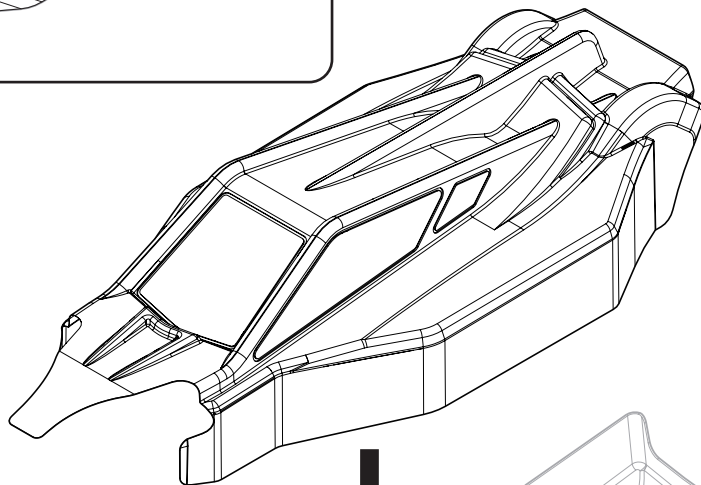
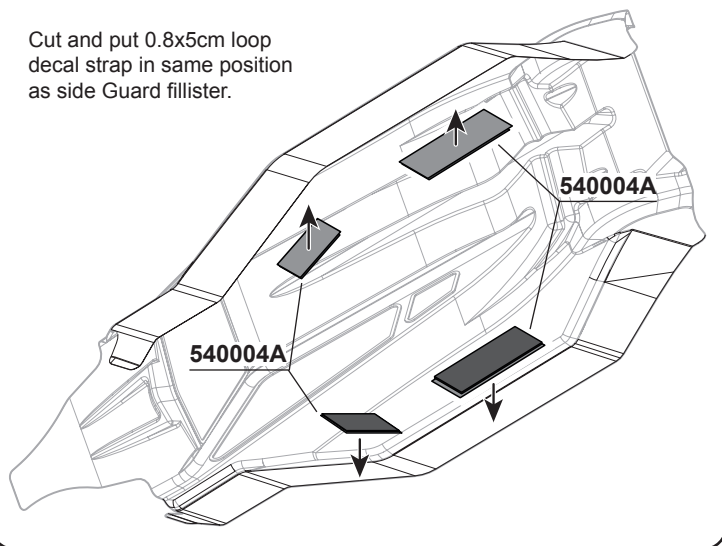


252001

Paint body.

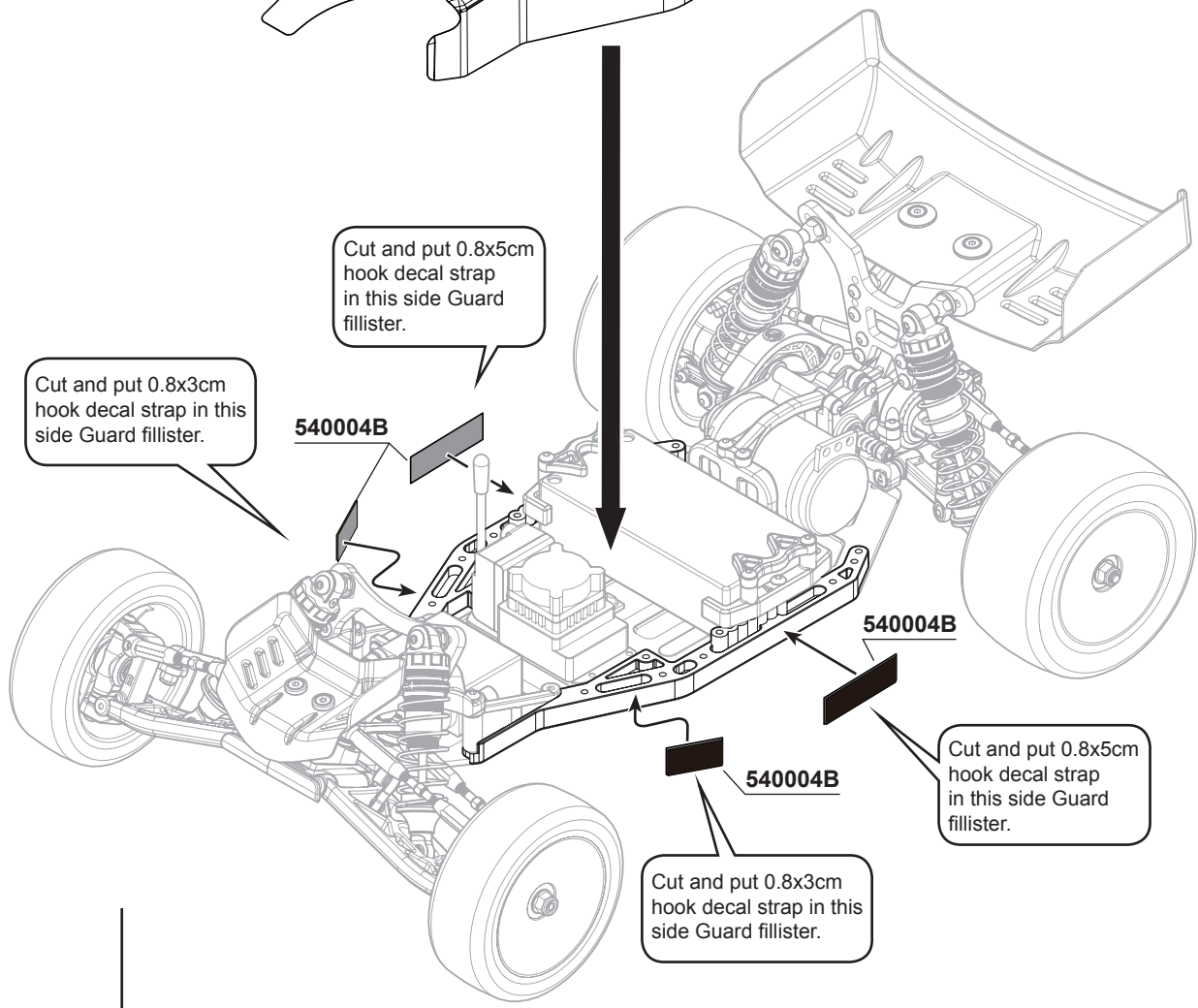


Cut and put 0.8x5cm loop decal strap in same position as side Guard fillister.



Cut and put 0.8x3cm hook decal strap in this side Guard fillister.

Cut and put 0.8x5cm hook decal strap in this side Guard fillister.



Name: _____
Date: _____
Track: _____

Diff. Oil
Rear: _____

Diff. Type
 Gear Diff
 Ball Diff

Track Conditions
Size: Open Med. Tight
Traction: High Med. Low Wet
Surface: Smooth Med. Bumpy

Tire
Front Rear
Type: _____ Type: _____
Foam: _____ Foam: _____

Electric System
ESC Type: _____
Motor Type: _____
Motor Gear/Spur Gear: _____
Battery Type: _____

Front Suspension

Front Lower Arm Holder
 25° 30°
 Standard 25g Brass

Front Sway bar Use _____ mm None

Front Lower Arm Holder Adjustment 0.5mm 1mm

Diff. Position

Ride High: _____ mm

Oil: _____
Spacer: _____ mm
Pistons: _____
Spring: _____

Toe Angle: mm (°) 0 2.5-2.5 5 -5

Camber: mm (°) 12

Upper () mm
Lower () mm

Rear Suspension

Wing Angle 0 +3 -3

Notes: _____

Rear Sway bar Use _____ mm None

Ride High: _____ mm

Oil: _____
Spacer: _____ mm
Pistons: _____
Spring: _____

Body: _____
Rear Wing: _____
Front Wing: _____

Front insert
 H L H L

Wing Position

Rear Toe-In
F: 0.5 1.0
R: 0.5 1.0

Camber: mm (°) 4.7mm 5.7mm 6.7mm 7.7mm

Option Parts List

Front lower arm
 Carbon composite Hard Material Standard Material

Rear lower arm
 Carbon composite Hard Material Standard Material

Side guard
 Carbon composite Hard Material Standard Material

Name: Micha Widmaier
 Date: 2021/7/18
 Track: ERT

Diff. Oil

Rear: _____

Diff. Type

- Gear Diff
 Ball Diff

Track Conditions

- Size: Open Med. Tight
 Traction: High Med. Low Wet
 Surface: Smooth Med. Bumpy

Tire

Front: _____ Rear: _____
 Type: JC Type: JC
 Foam: _____ Foam: _____

Electric System

ESC Type: Maclan M32t Pro 160A
 Motor Type: Maclan V3M 7.5T
 Motor Gear/Spur Gear: 81/22 T
 Battery Type: T-Pro 4400 mAh LCG

Front Suspension

Front Lower Arm Holder
 25° 30°
 Standard 25g Brass

Front Sway bar Use 1.0 mm None

Front Lower Arm Holder Adjustment 0.5mm 1mm

Diff. Position

Ride High: 19 mm

Oil: #500
 Spacer: _____ mm
 Pistons: 3Hx1.6mm
 Spring: US 2

Front Lower Arm Holder
 mm

Rear Suspension

Wing Angle 0 +3 -3

Wing Position
 H L
 H L

Body: Kit
 Rear Wing: Kit
 Front Wing: Kit

Notes: Option SW-332028, SW-332029, SW-332048, SW-332044, SW-362001

Rear Sway bar Use _____ mm None

Ride High: 19 mm

Oil: #400
 Spacer: _____ mm
 Pistons: 3Hx1.6mm
 Spring: L2

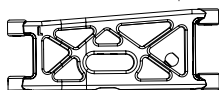
Rear Toe-In
 F: 0.5 1.0
 R: 0.5 1.0

Front
 F: 0 mm R: 3 mm

Option Parts List

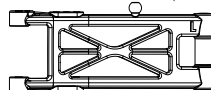
Front lower arm

- Carbon composite Hard Material Standard Material



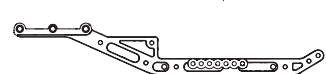
Rear lower arm

- Carbon composite Hard Material Standard Material



Side guard

- Carbon composite Hard Material Standard Material



Parts No. List

Part No.	Part Name	Q'ty in Use	Item No.	Part No.	Part Name	Q'ty in Use	Item No.
200490	S12 Ball Diff. Adjust Nut Holder	1	SW-200490	342004	S12-2 Pro-composite Front Carbon Fiber Shock Tower (Higher)	1	SW-342004
2501807	SWORKz Shock Spring Holder with Ball End Plastic Parts	2	SW-2501807	342005	S12-2 Pro-composite Rear Carbon Fiber Shock Tower (Higher)	1	SW-342005
2502401BK	S12 Sries Ball End Caps and Hinge Pin Inserts (BK)	1	SW-2502401BK	342003	S12-2 Steering Carbon Plate	2	SW-342003
2502403-01	S12-1 Idler Gear 52T	1	SW-2502403-01	354003-26	S12 Series POM MFR Idler Gear 26T	1	SW-354003-26
2503210A	SWORKz 1/10 Eccentric Bushing Set	2	SW-2503210A	400002	O-ring S5	2	SW-400002
220023-1	SWORKz 1/10 Shock Spring Holder	4	SW-220023-1	400014	S104 Aluminum Shock Spring Adjust Nut O-Ring 1.5x13.5mm	4	SW-400014
220031-81	S14-3 Precision Plastic Center Spur Gear 81T for Slipper Clutch	1	SW-220031-81	400025	SWORKz 1/10 Series Pro Shock System Seal O-ring	8	SW-400025
220034	S12-2 Front C Hub Set in Pro-composite Hard Material	1	SW-220034	410047	SWORKz Shock Cap O-Ring (SP)	4	SW-410047
220035A	S12-2 Front Durable Lower Arm Set in Pro-composite Material (Standard)	1	SW-220035A	410049	1/10 Shock Seal Cap O-ring (8*10*1)	4	SW-410049
220036	S12-2 Rear Lower Arm Set in Pro-composite Material (Standard)	1	SW-220036	610024	S12-2 Battery Block	2	SW-610024
220037	S12-2 Side Guard Set in Pro-composite Material (Standard)	1	SW-220037	610013B08	S14/S12 Slipper Clutch Teflon Pad(Low Grip)(Yellow)(8mm)	2	SW-610013B08
220038	S12-2 Front & Rear Hub Carry Set	2	SW-220038	512001	S12-2 Eaglet ST-2 Body Shell Decal Sheet	1	SW-252001
220039A	S12-2 Front Arm Holder Plastic Parts (Durable)	1	SW-220039A	512002	S12-2 Eaglet ST-2 Body Shell Window Mask	1	SW-252001
220040	S12-2 Servo Savor and Rear Gear Box Parts	1	SW-220040	510091	SWORKz Original Logo Sticker	1	SW-510091
220048	S12-2 Gear Box for Middle Rear Motor Position	1	SW-220048	115089	S12 Series Ball Diff. Adjust Spring	1	SW-115089
220041-3B	S12-2 Durable Gear Box Cover	1	SW-220041-3B	115162	S14/S12 Black Competition Line Rear Shock Spring (2 Dot)(57X1.1X9.25)	2	SW-115162
220042	S12-2 Sway Bar Plastic Parts	1	SW-220042	115186	S12-2 Black Competition Front Shock Spring (US3-Dot)(38X1.2X7.0)	2	SW-115186
220043	S12-2 Battery Holder Set	1	SW-220043	115172	S12-2 Front Sway Bar 1.0mm	1	SW-115172
220044	S12-2 Rear Wing Mount Set	1	SW-220044	115177	S12-2 Rear Sway Bar 1.3mm	1	SW-115177
220045	S12-2 Gear Box Inserts	1	SW-220045	115188	SWORKz 1/10 Slipper Clutch Spring (D1.4x12mm)	1	SW-115188
220046	S12-2 Rear Hub Insert Set	1	SW-220046	115189	SWORKz 1/10 Slipper Clutch Spring (D1.6x12mm)	1	SW-115189
220047	S12-2 Front C-Hub Insert& Sway Bar Ball End Parts	1	SW-220047	116010R	Ball Bearing 5x10x4mm (Red Rubber Case)	10	SW-116010R
220049-1	SWORKz 1/10 Precision Plastic Shock Piston(1.6X2Holes)	2	SW-220049-1	116013R	Ball Bearing 10x15x4mm(Red Rubber Case)	2	SW-116013R
220049-2	SWORKz 1/10 Precision Plastic Shock Piston(1.7X2Holes)	2	SW-220049-2	116015	Ball Bearing 5x8x2.5mm	6	SW-116015
220049-5	SWORKz 1/10 Precision Plastic Shock Seal Part (2 Sets)	2	SW-220049-5	116019R	Ball Bearing 5x13x4mm (Red Rubber Case)	2	SW-116019R
220050-1	SWORKz 1/10 Precision Plastic Shock Cap	4	SW-220050-1	117003	Flange Ball Bearing 3x6x2.5mm	2	SW-117003
250042	SWORKz 1/10 sonic wing 6.5"	1	SW-250042	101020A	3mm Countersunk Washers (RD)	6	SW-101020A
252002-65	SWORKz 1/10 sonic front lexan wing "65mm"	1	SW-250045	101007	Washer 3x8x0.5	2	SW-101007
252001	S12-2 Eaglet Style 2.0 Clean Body Sheel	1	SW-252001	101011	M2.6x6xT0.5mm	4	SW-101011
212001	S12-2 Rear CVD Drive Shaft Set 62mm	2	SW-212001	101012	M3x6xT0.5mm	6	SW-101012
330134	Shock Ball Stud	4	SW-330134	101023	S104 Shim 10x12x0.1mm	1	SW-101023
330156	Adjuster Knob	2	SW-330156	101024	S104 Shim 10x12x0.2mm	1	SW-101024
330295	S104 CVD Join	2	SW-330295	101026	SWORKz Aluminum Washer 3X6X1.5mm	13	SW-101026
330300	S104 Rear Upper Sus. Arm Turnbuckles	6	SW-330300	103001	M3 Nut Lock	3	SW-103001
330304A	S104 Aluminum Shock Spring Adjust Nut (BK)	4	SW-330304A	103002	Flage Nylon Nut M4	4	SW-103002
330315	Sway Bar Linkage Ball Stud	4	SW-330315	103004	M2.5mm Nut Lock	1	SW-103004
330321	S104 Center Slipper Clutch Pin M2.0x8mm	1	SW-330321	104002	Set Screw M3x10	2	SW-104002
330331	S104 Steering Linkage 5mm Ball Stud (L4.1mm)	4	SW-330331	104004	M3x3mm Set Screw	13	SW-104004
330410	Motor Gear 21T	1	SW-330410	104005	Set Screw M3x4	2	SW-104005
330516	S12 Idler Gear Shaft 5X15L	1	SW-330516	104012	M3x12mm Set Screw	1	SW-104012
330525	S12 Rear Lower Arm Hinge Pin (3X44mm)	2	SW-330525	105021	M3x6mm Conical Head Screw	4	SW-105021
330536	S12 Pin (3X26mm)	2	SW-330536	106001	M3x8mm Hex Soket OH/TP Screw	9	SW-106001
330537	S12 Arm Hinge Pin (3X34mm)	2	SW-330537	106002	M3x10mm Hex Soket OH/TP Screw	26	SW-106002
330544	S12 Shock Seal Cover (SP)	4	SW-330544	106003	Button Head Screw M3x16mm	1	SW-106003
330643	S104 EVO Steering Linkage 5mm Ball Stud (L7mm)	10	SW-330643	106005	M3x15mm Hex Soket OH/TP Screw	2	SW-106005
332002	S12-2 Aluminum Idler Gear 20T	1	SW-332002	106008	M3x12mm Hex Soket OH/TP Screw	7	SW-106008
332005A	S12-2 Slipper Clutch Adjust Screw 2.4x65mm	1	SW-332005A	106009	M3x25mm Hex Soket OH/TP Screw	2	SW-106009
332006	S12-2 Aluminum Motor Plate	1	SW-332006	106010	M3x6mm Hex Soket OH/TP Screw	4	SW-106010
332007	S12-2 Rear Lower Arm Holder (RF)	1	SW-332007	106014	M2x6mm Hex Soket OH/TP Screw	10	SW-106014
332008A	S12-2 Series Rear Lower Arm Plate (RR)	1	SW-332008A	106015	M3x5mm Hex Soket OH/TP Screw	2	SW-106015
332010	S12-2 CVD Axil	2	SW-332010	106017	M3x14mm Hex Soket OH/TP Screw	4	SW-106017
332011	S12-2 CVD Axil Holder	2	SW-332011	106020	M2.5x5mm 1.5mmHex Soket OH/ST Screw	6	SW-106020
332012	S12-2 Rear Drive Shaft (62mm)	2	SW-332012	108001	M3x12mm FH/ST HEX Screw	6	SW-108001
332013	S12-2 Aluminum Servo Savor Post	2	SW-332013	108003	M3x10mm FH/ST HEX Screw	18	SW-108003
332014	S12-2 Aluminum Steering Hub Axil(L&R)	2	SW-332014	108005	M3x14mm FH/ST HEX Screw	2	SW-108005
332015	S12-2 Aluminum Front Lower Arm Holder	1	SW-332015	108006	M3x8mm FH/ST HEX Screw	26	SW-108006
330520	S12 Series Ball Diff. Caged Thrust Washer 2.6X6X1	1	SW-330520	108007	M3x6mm FH/ST HEX Screw	2	SW-108007
332021	S12 Differential Steel Ball 2.38mm-32-3	16	SW-332021	108014	M3x4mm FH/ST HEX Screw	1	SW-108014
332022	S12 Series Ball Differential Washer14.9X22.9X0.8	2	SW-332022	108028	M2.6x4mm Flat Head Screw - Hex Socket	4	SW-108028
332023	S12 Series Ball Differential Outdrive-R	1	SW-332023	108029	M2.0x4.6mm FH/ST HEX Screw (1.5mm HexHead)	4	SW-108029
332024	S12 Series Ball Differential Outdrive-L	1	SW-332024	200193	Antenna Tube	1	SW-200193
332025	S12 Series Ball Diff. Adjust Screw 2.6x25	1	SW-332025	420010	Antenna Cup	1	SW-200193
332032	S12-2 High Torque Aluminum Slipper Clutch Pad (Outside)	1	SW-332032				
332033	S12-2 High Torque Aluminum Slipper Clutch Pad (Inside)	1	SW-332033				
332034	S12-2 Steel Slipper Clutch Spring Holder Washer	2	SW-332034				
332037-DS	SWORKz 1/10 Series Pro Shock System Shaft (DS-42.7mm)	2	SW-332037-DS				
332037-DL	SWORKz 1/10 Series Pro Shock System Shaft (DL-49.7mm)	2	SW-332037-DL				
332047-DS	SWORKz 1/10 Series Pro Shock Body for Longer Travel System(DS)	2	SW-332047-DS				
332047-DL	SWORKz 1/10 Series Pro Shock Body for Longer Travel System(DL)	2	SW-332047-DL				
332042-25	S12-2C/D Full Edition Main Chassis 2.5mm	1	SW-332042-25				
334002	S14-3 Aluminum Shock Stud	4	SW-334002				
334011	S14-3 12mm Wheel Hex (5.7mm)	2	SW-334011				
334020	S14-3 Series C Hub Bushing (A)(2.5)	2	SW-334020				
334021	S14-3 Series C Hub Bushing (B)(0.7)	2	SW-334021				
334022A	SWORKz 1/10 Hinge Pin (3x32mm)	2	SW-334022A				

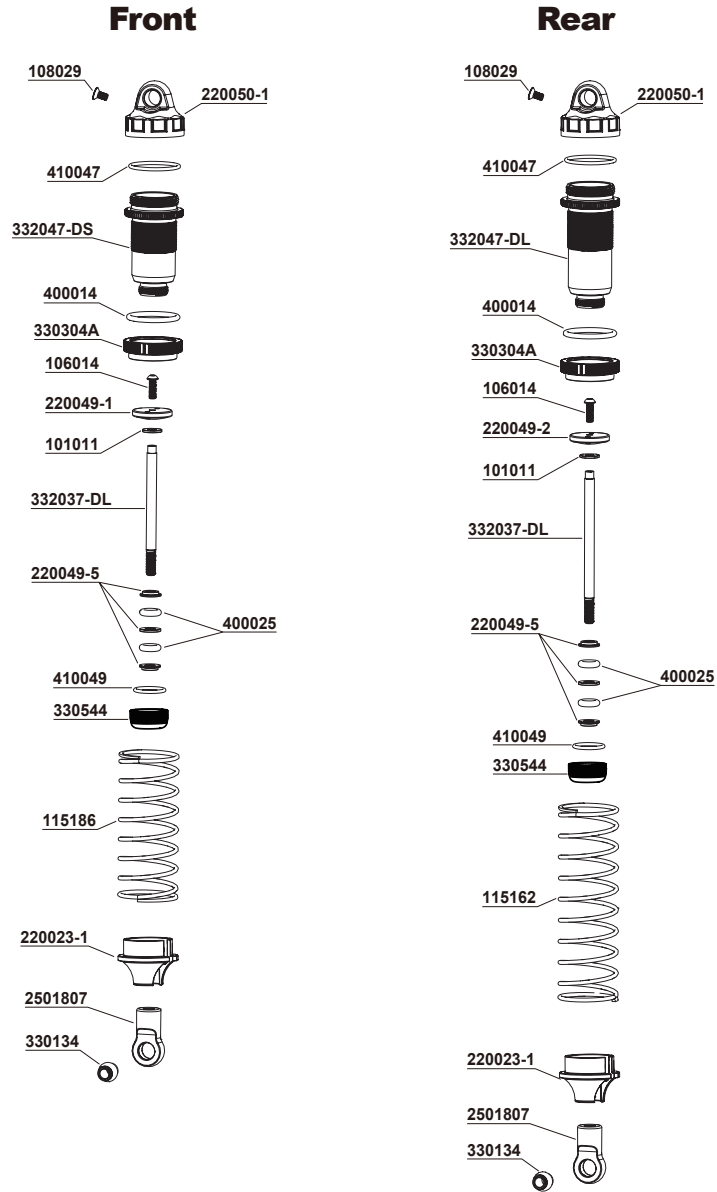
Spare Part List

Item No.	Part Name	Item No.	Part Name
SW-200490	S12 Ball Diff. Adjust Nut Holder	SW-342004	S12-2 Pro-composite Front Carbon Fiber Shock Tower (Higher)
SW-2501807	SWORKz Shock Spring Holder with Ball End Plastic Parts	SW-342005	S12-2 Pro-composite Rear Carbon Fiber Shock Tower (Higher)
SW-2502401BK	S12 Sries Ball End Caps and Hinge Pin Inserts (BK)	SW-342003	S12-2 Steering Carbon Plate (1PC)
SW-2502403-01	S12-1 Idler Gear 52T	SW-354003-26	S12 Series POM MFR Idler Gear 26T
SW-2503210A	SWORKz 1/10 Eccentric Bushing Set	SW-400002	O-ring S5 4.8x1.5 (6pcs)
SW-220023-1	SWORKz 1/10 Shock Spring Holder	SW-400014	S104 Aluminum Shock Spring Adjust Nut O-Ring 1.5x13.5mm
SW-220031-81	S14-3 Precision Plastic Center Spur Gear 81T for Slipper Clutch	SW-400025	SWORKz 1/10 Series Pro Shock System Seal O-ring
SW-220034	S12-2 Front C Hub Set in Pro-composite Hard Material	SW-410047	S104 EVO/S12-1 Shock Cap O-Ring (SP)
SW-220035A	S12-2 Front Durable Lower Arm Set in Pro-composite Material (Standard)	SW-410049	1/10 Shock Seal Cap O-ring (8*10*1)
SW-220036	S12-2 Rear Lower Arm Set in Pro-composite Material (Standard)	SW-610024	S12-2 Battery Block
SW-220037	S12-2 Side Guard Set in Pro-composite Material (Standard)	SW-610013B08	S14/S12 Slipper Clutch Teflon Pad(Low Grip)(Yellow)(8mm)
SW-220038	S12-2 Front & Rear Hub Carry Set	SW-252001	S12-2 Eaglet ST-2 Clean Body Shell Set
SW-220039A	S12-2 Front Arm Holder Plastic Parts (Durable)	SW-510091	SWORKz Original Logo Sticker (2PC)
SW-220040	S12-2 Servo Savor and Rear Gear Box Parts	SW-115089	S12 Series Ball Diff. Adjust Spring
SW-220048	S12-2 Gear Box for Middle Rear Motor Position	SW-115162	S14/S12 Black Competition Line Rear Shock Spring (2 Dot)(57X1.1X9.25)
SW-220041-3B	S12-2 Durable Gear Box Cover	SW-115186	S12-2 Black Competition Front Shock Spring (US3-Dot)(38X1.2X7.0)
SW-220042	S12-2 Sway Bar Plastic Parts	SW-115172	S12-2 Front Sway Bar 1.0mm
SW-220043	S12-2 Battery Holder Set	SW-115177	S12-2 Rear Sway Bar 1.3mm
SW-220044	S12-2 Rear Wing Mount Set	SW-115188	SWORKz 1/10 Slipper Clutch Spring (D1.4x12mm)
SW-220045	S12-2 Gear Box Inserts	SW-115189	SWORKz 1/10 Slipper Clutch Spring (D1.6x12mm)
SW-220046	S12-2 Rear Hub Insert Set	SW-116010R	Ball Bearing 5x10x4mm (Red Rubber Case)(4PC)
SW-220047	S12-2 Front C-Hub Insert& Sway Bar Ball End Parts	SW-116013R	Ball Bearing 10x15x4mm(Red Rubber Case)(6PC)
SW-220049-1	SWORKz 1/10 Precision Plastic Shock Piston(1.6X2Holes)	SW-116015	Ball Bearing 5x8x2.5mm
SW-220049-2	SWORKz 1/10 Precision Plastic Shock Piston(1.7X2Holes)	SW-116019R	Ball Bearing 5x13x4mm (Red Rubber Case)(4PC)
SW-220049-5	SWORKz 1/10 Precision Plastic Shock Seal Part (2 Sets)	SW-117003	Flange Ball Bearing 3x6x2.5mm (2pcs)
SW-220050-1	SWORKz 1/10 Precision Plastic Shock Cap	SW-101020A	3mm Countersunk Washers (RD)
SW-250042	SWORKz 1/10 sonic wing 6.5"	SW-101007	Washer 3x8x0.5
SW-250045	SWORKz 1/10 sonic front lexan wing "65mm"	SW-101011	M2.6x6xT0.5mm
SW-252001	S12-2 Eaglet Style 2.0 Clean Body Sheel	SW-101012	M3x6xT0.5mm
SW-212001	S12-2 Rear CVD Drive Shaft Set 62mm	SW-101023	S104 Shim 10x12x0.1mm
SW-330134	Shock Ball Stud	SW-101024	S104 Shim 10x12x0.2mm
SW-330156	SWORKz Adjuster Knob (GM)(2PC)	SW-101026	SWORKz Aluminum Washer 3X6X1.5mm
SW-330295	S104 CVD Join Set (2 Sets)	SW-103001	M3 Nut Lock
SW-330300	S104 Rear Upper Sus. Arm Turnbuckles (2pcs)	SW-103002	Flage Nylon Nut M4
SW-330304A	S104 Aluminum Shock Spring Adjust Nut (BK)	SW-103004	M2.5mm Nut Lock (10pcs)
SW-330315	S104 Sway Bar Linkage Ball Stud (4pcs)	SW-104002	Set Screw M3x10
SW-330321	S104 Center Slipper Clutch Pin M2.0x8mm (2pc)	SW-104004	M3x3mm Set Screw (10pcs)
SW-330331	S104 Steering Linkage Ball Stud 5x4.1mm (2pcs)	SW-104005	M3x4mm Set Screw (10pcs)
SW-330410	SWORKz 1/10 Motor Pinion Gear 21T	SW-104012	M3x12mm Set Screw (10pcs)
SW-330516	S12-1 Idler Gear Shaft 5X15L	SW-105021	M3x6mm Conical Head Screw (10PC)
SW-330520	S12 Series Ball Diff. Caged Thrust Washer 2.6X6X1(SET)	SW-106001	M3x8mm Hex Soket OH/TP Screw (10pcs)
SW-330525	S12 Rear Lower Arm Hinge Pin (3X44mm)	SW-106002	M3x10mm Hex Soket OH/TP Screw (10pcs)
SW-330536	S12 Pin (3X26mm)	SW-106003	M3x16mm Hex Soket OH/TP Screw (10pcs)
SW-330537	S12 Arm Hinge Pin (3X34mm)	SW-106005	M3x15mm Hex Soket OH/TP Screw
SW-330544	S104EVO/S12 Shock Seal Cover (GM)	SW-106008	M3x12mm Hex Soket OH/TP Screw (10pcs)
SW-330643	S104 EVO Steering Linkage 5mm Ball Stud (L7mm)(4PC)	SW-106009	M3x25mm Hex Soket OH/TP Screw (10pcs)
SW-332002	S12-2 Aluminum Idler Gear 20T	SW-106010	M3x6mm Hex Soket OH/TP Screw (10pcs)
SW-332005A	S12-2 Slipper Clutch Adjust Screw 2.4x65mm	SW-106014	M2x6mm Hex Soket OH/TP Screw (10pcs)
SW-332006	S12-2 Aluminum Motor Plate	SW-106015	M3x5mm Hex Soket OH/TP Screw (10pcs)
SW-332007	S12-2 Rear Lower Arm Holder (RF)	SW-106017	M3x14mm Hex Soket OH/TP Screw (10PC)
SW-332008A	S12-2 Series Rear Lower Arm Plate (RR)	SW-106020	M2.5x5mm 1.5mmHex Soket OH/ST Screw
SW-332010	S12-2 CVD Axil (2PC)	SW-108001	M3x12mm FH/ST HEX Screw (10pcs)
SW-332011	S12-2 CVD Axil Holder (2PC)	SW-108003	M3x10mm FH/ST HEX Screw (10pcs)
SW-332012	S12-2 Rear Drive Shaft (62mm)(2PC)	SW-108005	M3x14mm FH/ST HEX Screw (10pcs)
SW-332013	S12-2 Aluminum Servo Savor Post (2PC)	SW-108006	M3x8mm FH/ST HEX Screw (10pcs)
SW-332014	S12-2 Aluminum Steering Hub Axil(L&R)(2PC)	SW-108007	M3x6mm FH/ST HEX Screw (10pcs)
SW-332015	S12-2 Aluminum Front Lower Arm Holder	SW-108014	M3x3mm FH/ST HEX Screw (10pcs)
SW-332021	S12 Differential Steel Ball 2.38mm-32-3 (16PC)	SW-108028	M2.6x4mm Flat Head Screw - Hex Socket (10PC)
SW-332022	S12 Series Ball Differential Washer14.9X22.9X0.8 (2PC)	SW-108029	M2.0x4.6mm FH/ST HEX Screw (1.5mm Hex)(10PC)
SW-332023	S12 Series Ball Differential Outdrive-R	SW-200193	Antenna Tube (3 sets)
SW-332024	S12 Series Ball Differential Outdrive-L		
SW-332025	S12 Series Ball Diff. Adjust Screw 2.6x25		
SW-332032	S12-2 High Torque Aluminum Slipper Clutch Pad (Outside)		
SW-332033	S12-2 High Torque Aluminum Slipper Clutch Pad (Inside)		
SW-332034	S12-2 Steel Slipper Clutch Spring Holder Washer (2PC)		
SW-332037-DS	SWORKz 1/10 Series Pro Shock System Shaft (DS-42.7mm)		
SW-332037-DL	SWORKz 1/10 Series Pro Shock System Shaft (DL-49.7mm)		
SW-332047-DS	SWORKz 1/10 Series Pro Shock Body for Longer Travel System(DS)		
SW-332047-DL	SWORKz 1/10 Series Pro Shock Body for Longer Travel System(DL)		
SW-332042-25	S12-2C/D Full Edition Main Chassis 2.5mm		
SW-334002	S14-3 Aluminum Shock Stud(2PC)		
SW-334011	S14-3 12mm Wheel Hex (5.7mm)(Option)(2PC)		
SW-334020	S14-3 Series C Hub Bushing (A)(2.5)(2PC)		
SW-334021	S14-3 Series C Hub Bushing (B)(0.7)(2PC)		
SW-334022A	SWORKz 1/10 3x32mm Hinge Pin(2PC)		

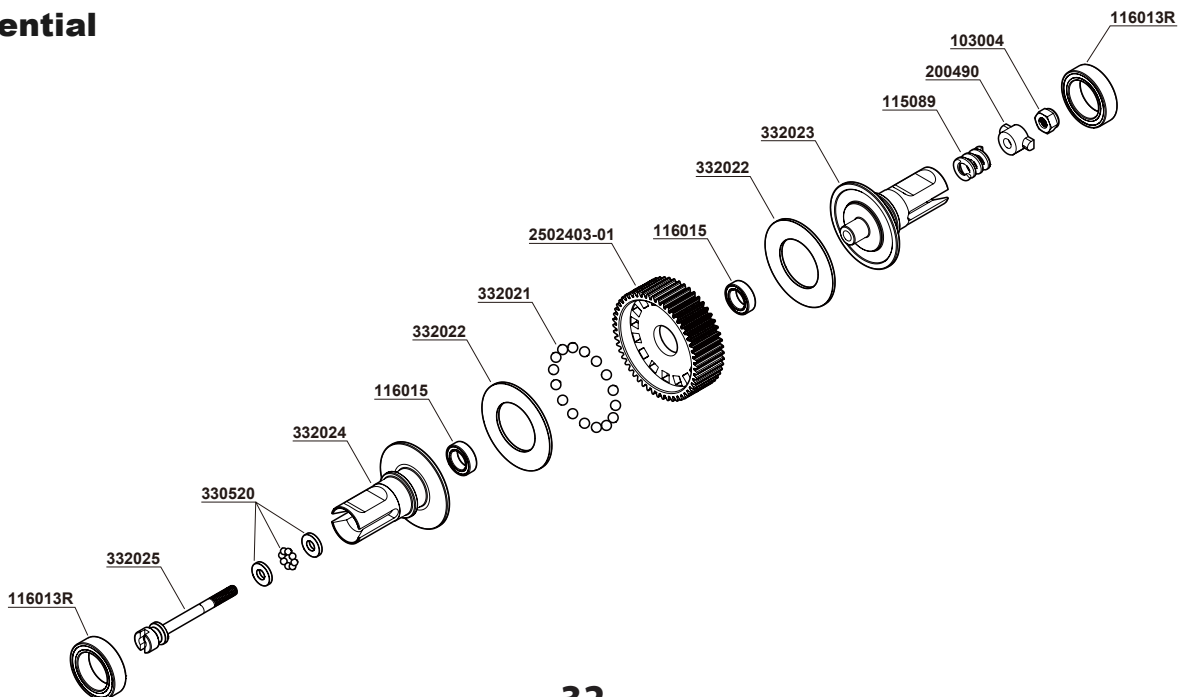
Option Part List

Item No.	Part Name
SW-210072	S12-1 Series Gear Diff Set
SW-220025FY	SWORKz 1/10 2WD Off Road Competition Front Dish Wheel (FY) (4PC)
SW-220026FY	SWORKz 1/10 2/4WD Off Road Competition Rear Dish Wheel (FY) (4PC)
SW-220031-72	S14-3 Precision Plastic Center Spur Gear 72T for Slipper Clutch
SW-220031-78	S14-3 Precision Plastic Center Spur Gear 78T for Slipper Clutch
SW-220035H	S12-2 Front Lower Arm Set in Pro-composite Hard Material
SW-220036H	S12-2 Rear Lower Arm Set in Pro-composite Hard Material
SW-220037H	S12-2 Side Guard Set in Pro-composite Hard Material
SW-250042	SWORKz 1/10 sonic lexan wing 6.5"
SW-250042-1	SWORKz 1/10 Sonic Lexan Wing 6.5" (Harder)(1PC)
SW-250042BK	SWORKz 1/10 sonic lexan wing 6.5" (BK)
SW-250042WH	SWORKz 1/10 sonic lexan wing 6.5" (WH)
SW-2501800ABK	S104 Rear Wing Set (W/O Holes) (BK)
SW-2501800AFY	S104 Rear Wing Set (W/O Holes) (FY)
SW-2501800AOG	S104 Rear Wing Set (W/O Holes) (OR)
SW-2501800AWH	S104 Rear Wing Set (W/O Holes) (WH)
SW-252001L	S12-2 Eaglet ST-2 Clean Body Shell (Light)
SW-330324	SWORKz 1/10 Motor Pinion Gear 20T
SW-330335	S104 Aluminum Rear Wing Washer
SW-330409	SWORKz 1/10 Motor Pinion Gear 19T
SW-330411	SWORKz 1/10 Motor Pinion Gear 22T
SW-330412	SWORKz 1/10 Motor Pinion Gear 23T
SW-330544	S104EVO/S12 Shock Seal Cover (GM)
SW-330690	S12-1M/R Aluminum Savor Servo Arm (25T)
SW-330692	S12-1M/R Aluminum Savor Servo Arm (23T)
SW-332009	S12-2 Brass Front Lower Arm Balance Holder (25g)
SW-332028	S12-2 Aluminum Front Upper Arm Holder
SW-332029	S12-2 Aluminum Rear Upper Linkage Mount
SW-332040	S12-2 Aluminum Synthesis Rear Hub (1PC)(R=L)
SW-332041	S12-2 Aluminum Synthesis Rear Hub Linkage Plate (1PC)(R=L)
SW-332040-41	S12-2 Aluminum Synthesis Rear Hub Set (2 Sets)
SW-332044	S12-2 Aluminum Gear Box Support Mount
SW-332045	S12-2 Aluminum Servo Savor Arms (2PC)
SW-332046	S12-2 Aluminum Servo Savor Steering Plate
SW-332043	S12-2 T7075 Aluminum Hard Coated Intensify Chassis
SW-362001	S12-2 15g Brass Rear Lower Arm Holder (RF)
SW-334010	S14-3 12mm Wheel Hex (4.7mm)(Standard)(2PC)
SW-334038	S14-3 12mm Wheel Hex (6.7mm)(Option)(2PC)
SW-334039	S14-3 12mm Wheel Hex (7.7mm)(Option)(2PC)
SW-334047BK	SWORKz T-7075 M4 Lightened Low Profile Large-contact with Serrated Wheel Nuts (BK)(6pc)
SW-334047GM	SWORKz T-7075 M4 Lightened Low Profile Large-contact with Serrated Wheel Nuts (GM)(6pc)
SWC-115157	S14/S12 Black Competition Front Shock Spring (S4-Dot)(43X1.2X6.5)
SWC-115158	S14/S12 Black Competition Front Shock Spring (S3-Dot)(43X1.2X7.75)
SWC-115159	S14/S12 Black Competition Front Shock Spring (S2-Dot)(43X1.2X8.0)
SWC-115160	S14/S12 Black Competition Rear Shock Spring (L4-Dot)(57X1.1X7.5)
SWC-115161	S14/S12 Black Competition Rear Shock Spring (L3-Dot)(57X1.1X8.0)
SWC-115185	S12-2 Black Competition Front Shock Spring (US4-Dot)(38X1.2X6.0)
SWC-115187	S12-2 Black Competition Front Shock Spring (US2-Dot)(38X1.2X7.25)
SWC-116013A	SWORKz Competition 10x15x4mm Ball Bearing (Metal Case)(6PC)
SW-212003	S12-2 Series Front Sway Bar Kit (1.0/1.1/1.2/1.3mm)
SW-212004	S12-2 Series Rear Sway Bar Kit (1.2/1.3/1.4/1.5/1.6mm)
SW-115173	S12-2 Front Sway Bar 1.1mm
SW-115174	S12-2 Front Sway Bar 1.2mm
SW-115175	S12-2 Front Sway Bar 1.3mm
SW-115176	S12-2 Rear Sway Bar 1.2mm
SW-115178	S12-2 Rear Sway Bar 1.4mm
SW-115179	S12-2 Rear Sway Bar 1.5mm
SW-115180	S12-2 Rear Sway Bar 1.6mm
SWC-116010C	SWORKz Competition 5x10x4mm Ball Bearing(Metal Case)(6PC)
SWC-116019A	SWORKz Competition 5x13x4mm Ball Bearing (Metal Case)(4PC)

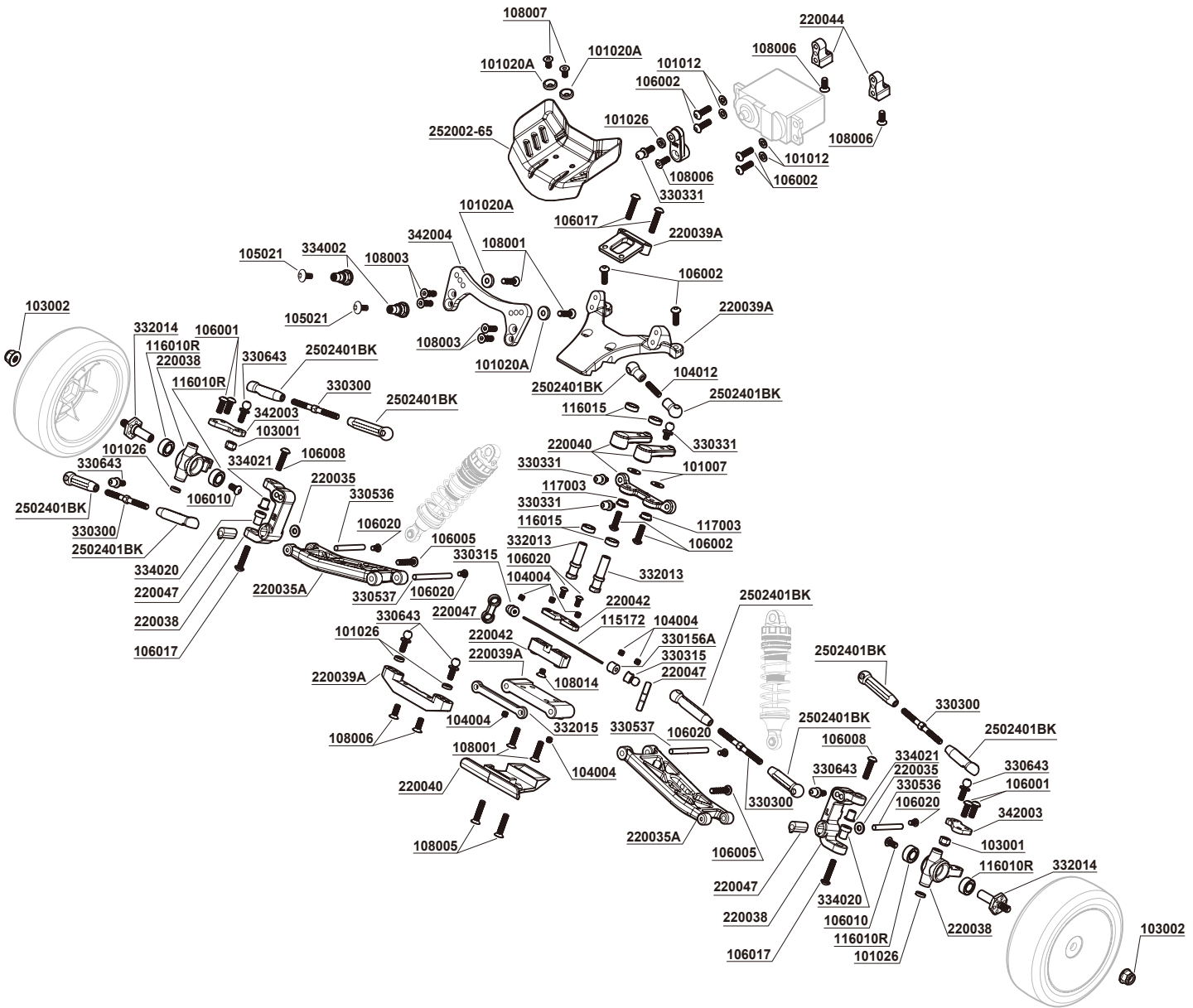
Shock Absorbers



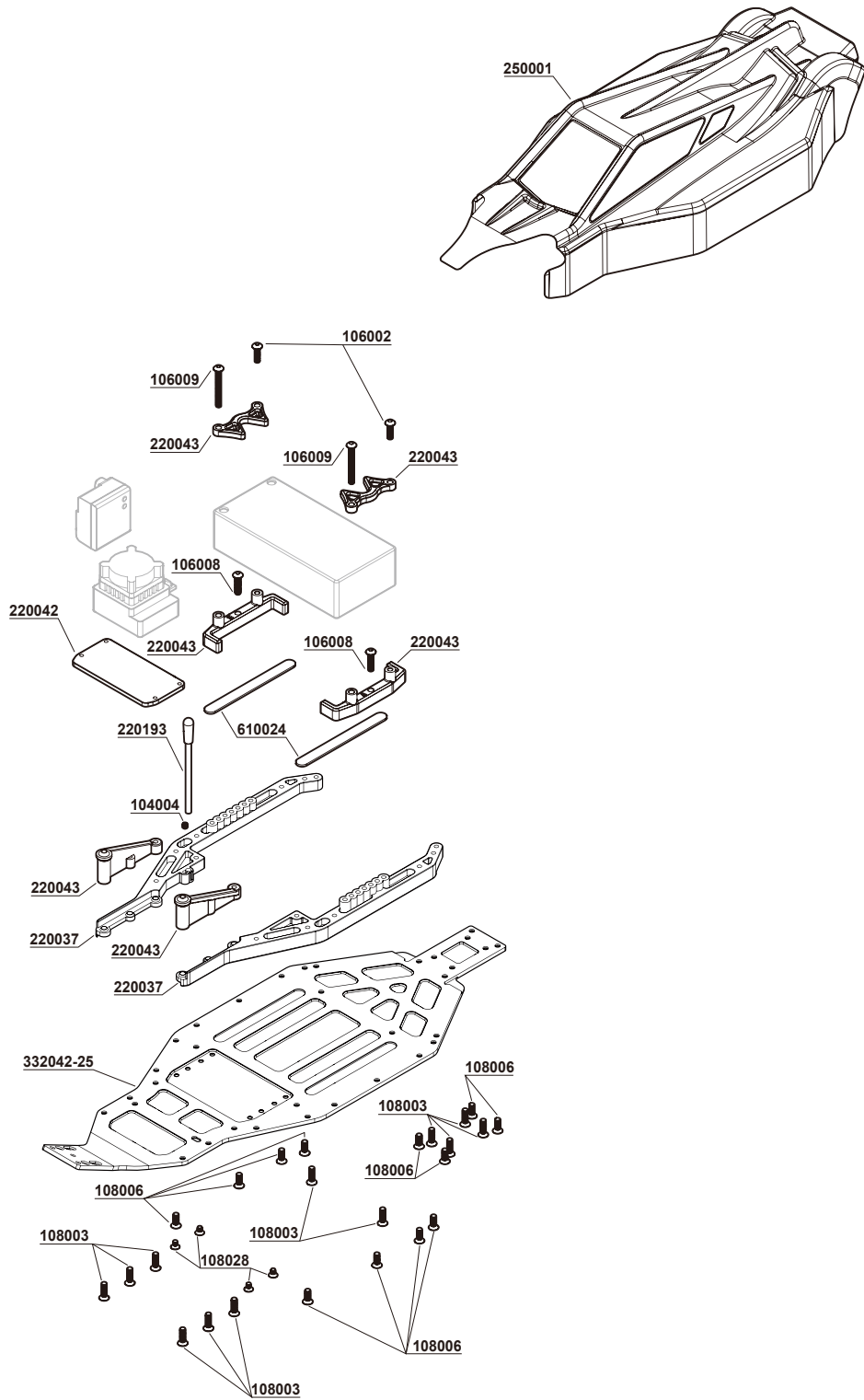
Differential



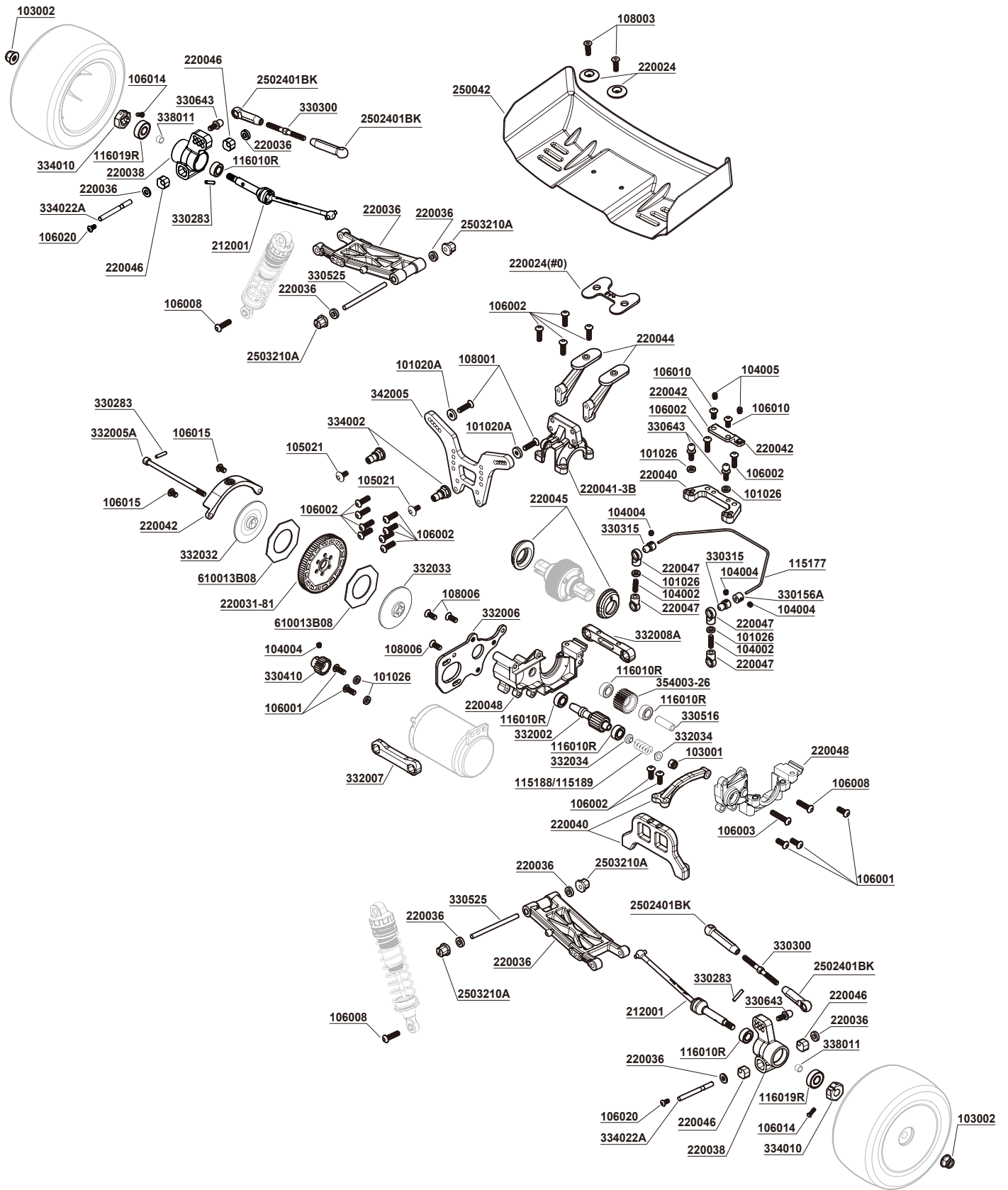
Front Suspension



Chassis & Electronic Parts

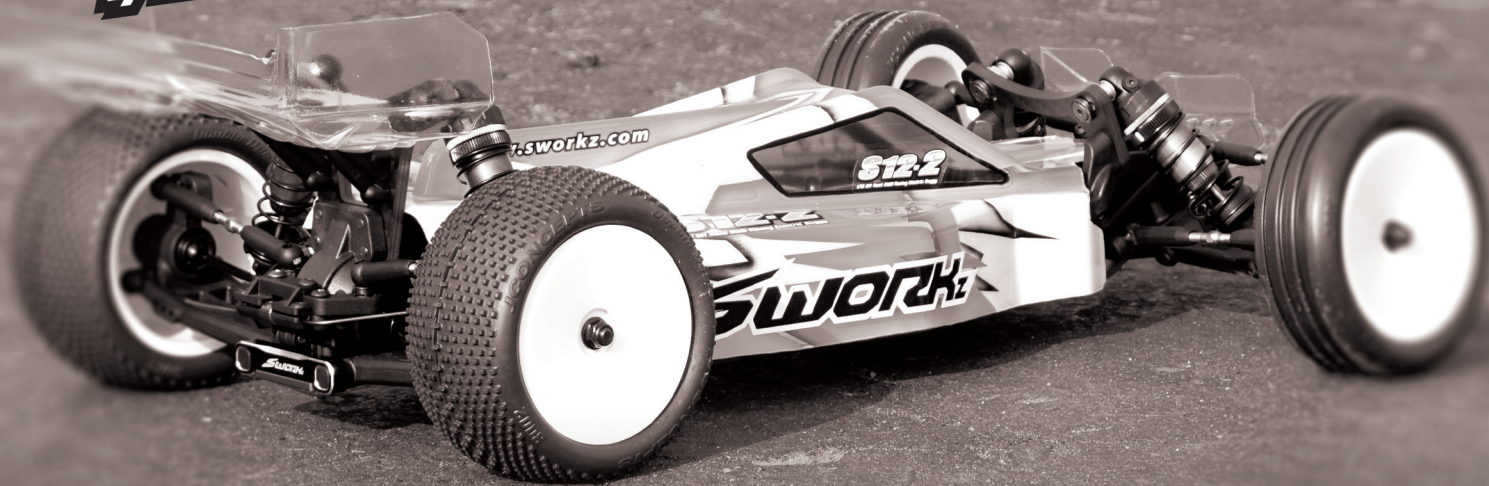


Rear Suspension



S12-2 DIRT

1/10 Off Road 2WD Racing Electric Buggy



SPEEDMASTER HOBBY CO., LTD.

TEL: +886-3-538-7638

FAX: +886-3-538-7328

No.42, Ruiguang St., Xiangshan Dist.,
Hsinchu City 300, Taiwan (R.O.C.)

www.sworkz.com