

S35-GT2e

IFMAR 1/8th GTe World Champion Kit



Johnman



SWORKZ S35-GT2e INSTRUCTION MANUAL

S35-GT2e

IFMAR 1/8th GTE World Champion Kit

INSTRUCTION

January 18, 2020. SWORKz wins his first world title. And not one title, no, two GT World Championship titles. Both with the SWORKz S35-GT and the SWORKz S35-GTE.

Based on the world champion platform SWORKz S35-GT, SWORKz has further developed. The result is the S35-GT2 and the S35-GT2e, which are improved in many ways.

The S35-GT2e is designed as a thoroughbred racing machine for Electric GT Onroad Racing. It has a brand new design of the unique front and rear suspension. The Ackerman steering geometry was adopted from the 1/8 S35-4E buggy.

The S35-GT2e has a weight-optimized, hard anodized base plate made of high-strength T7075 aluminum. The HET differentials developed by SWORKz are also included in the kit and offer traction that is not possible with other systems.

The new S35-GT2e has an option flat front and rear shock absorber arrangement. The shock absorbers have been optimized for this new arrangement.

The steering geometry of the S35-GT2e gives the driver total control over the S35-GTE.

The wishbone brackets, included with square inserts, allow the axle geometry of your SWORKz S35-GT2e to be adapted to any track layout. The front and rear wishbones are made of a newly developed composite material. The side pans have also been redesigned.

Another new development in the SWORKz S35-GT2e is the completely new rear steering knuckle. Composite material combined with carbon plates offers you the possibility for different setups.

The newly developed composite material works perfectly with the HET differentials for maximum traction.

There are many other changes and ideas in the SWORKz S35-GT2e that make the car a real winner.

The philosophy of SWORKz vehicles is that top pilots can adapt their setup to each route, but hobby pilots can also find a standard setup that makes them faster on a wide variety of routes.

And the SWORKz S35-GT2e has these two properties to perfection.

When designing the vehicle, the SWORKz development team focused on using materials that meet the highest quality standards. The S35-GT2e kit only contains 100% SWORKz quality.

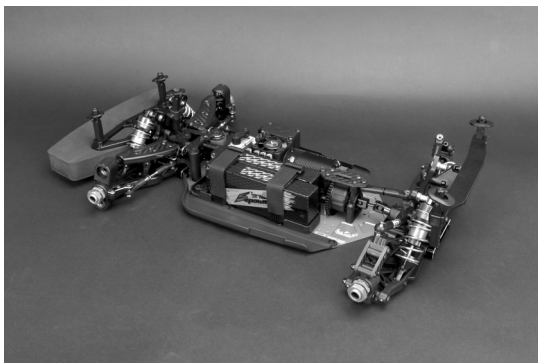
Congratulations on purchasing the new SWORKz S35-GT2e Pro kit. Thank you for your trust in SWORKz.

Please read these assembly instructions carefully before you start building and operating your SWORKz S35-GT2e. These assembly instructions contain step-by-step instructions with which you can finish, prepare and optimize your buggy for racing. Updates, setups and new products are published on all digital SWORKz media.

As always, if you have any questions about your SWORKz products or need help, please contact our official SWORKz dealers and distributors.

S35-GT2e Kit Features:

- New weight-optimized, hard anodized T7075 base plate
- New front & rear shock mount
- New shock absorber caps
- New 3mm optimized rear shock mount
- New Ackerman steering plate
- New steering system
- New servo saver aluminum part
- New lockable servo saver nut
- New servo saver locking design
- New steering balls
- New steering knuckle plates
- New updated wishbone bracket with square inserts
- New Easy Change Motor Mounting Plate
- New side pans
- New lower wishbones front & rear
- New upper wishbone front
- New composite steering knuckle at the rear with carbon plates
- New multi-adjustable linkage system for the rear upper wishbones
- New anti-lock screws for shock absorbers
- HET differentials front & rear included
- 2 front chassis struts included
- More balance weight positions
- Optimized composite aluminum parts in T7075



Specification	
Length:	490mm
Width:	308mm
Height:	145mm
Ground Clearance:	15mm
Wheelbase:	325-330mm
Track:	F:304mm / R:308mm
Gear Ratio:	C:46/18T, F/R:43/13T
Weight:	3650g (With battery/Body shell)

WARRANTY

Your SWORKz S35-GT2e Pro kit warranty covers workmanship and manufacturing defects of the original and unmodified parts. Warranty claims resulting from crashes, abuse, improper operation, improper mounting, improper adjustment or lack of maintenance will not be honored.

Contact your local hobby shop or SWORKz distributor for all claims and questions. Claims must be well documented. All Claims are subject to expert examination approval by SWORKz.



Instruction	2
Warranty	3
Index	4
Required equipment for operation	5
Operation guide	6
Assembly steps	7-32
Set-up sheet	33
Blank set-up sheet	34-35
S35-GT2e Key No. List	36-37
S35-GT2e Spare Part List	37-38
S35-GT2e Option Part List	39
Explosion view with spare parts number	40-43
End cover	44

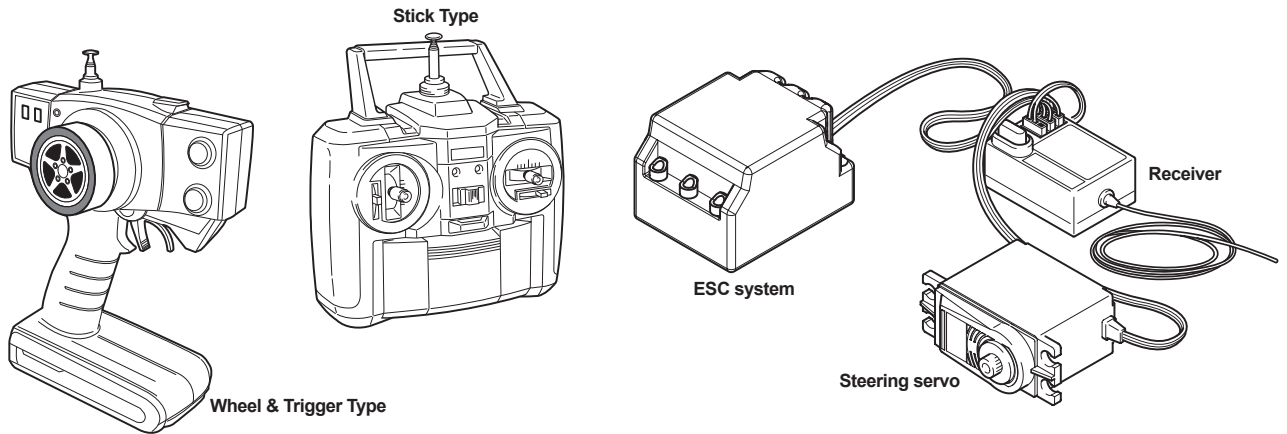


This radio controlled racing car is not a toy!

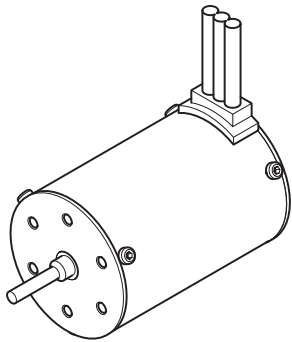
This high-performance R/C model is recommended for ages 14 and older.

Required Equipment for Operation

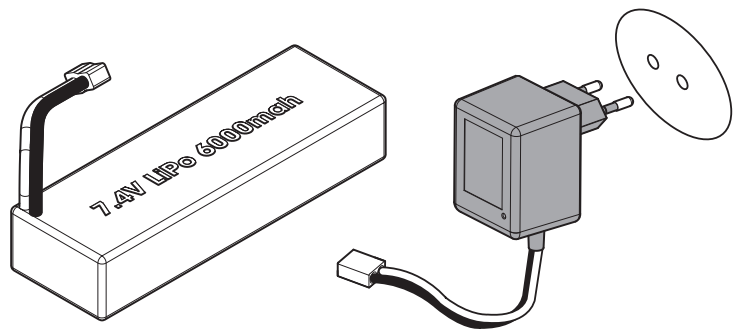
Radio Gear



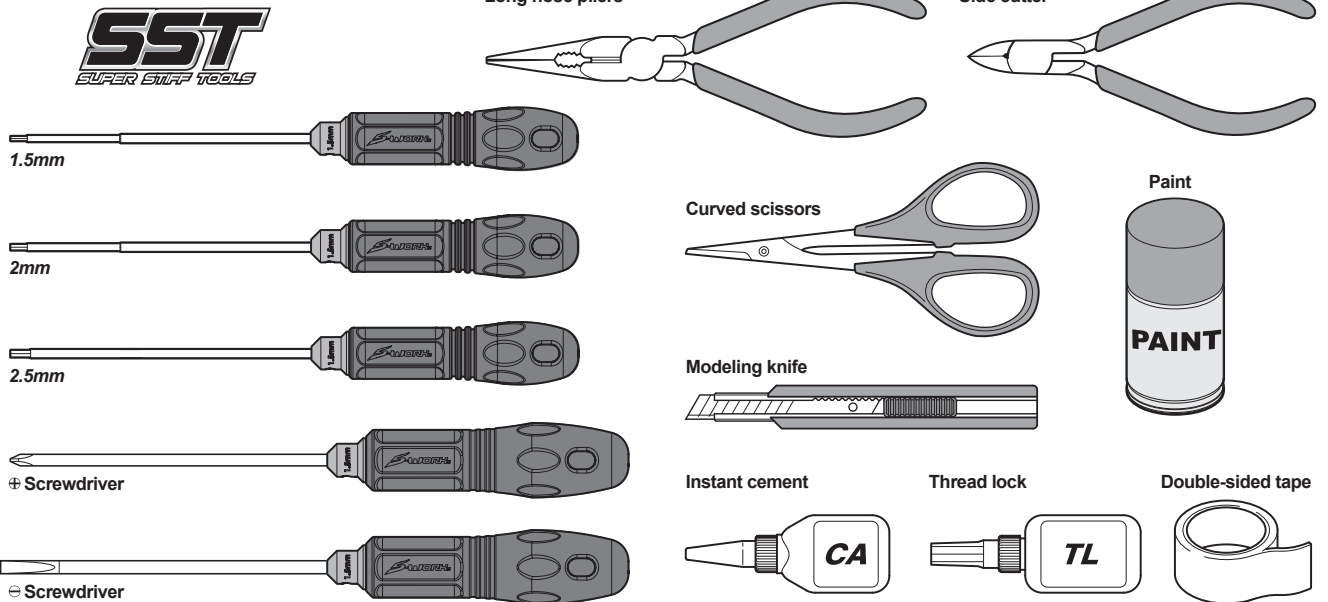
Breshless Motor



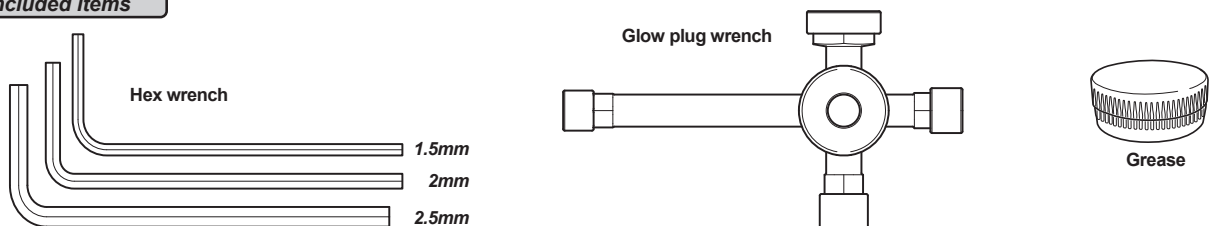
Charger and LiPo Battery



Tools Recommended



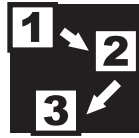
Included items



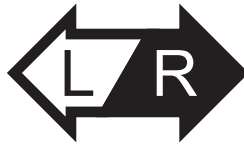
Operation Guide



Assemble front and rear



Assemble in the specified order



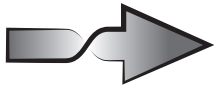
Assemble both left and right sides



Assemble for 2 sets



Assemble for 4 sets



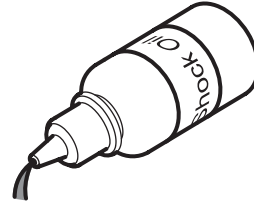
overturn



Thread Locking Compound



Grease



Pure Silicone Oil



Air filter oil

Safety Precautions

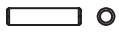
The SWORKz S35-GT2e is a high performance radio controlled model which needs to be operated with caution and common sense.

The S35-GT2e Pro Kit is not intended for children under the age of 14 without adult supervision. SWORKz shall not be held liable for any loss or damages, whether direct, indirect, act of nature, arising from the abuse or misuse of this product or any other product required while operating this model.

- The LiPO Battery can be dangerous is improperly handled.
- Always keep your LiPO Battery in a cool area and never use near flame, sparks, or while smoking.
- Keep your LiPO Battery, and all other flammables, out of the reach of children.
- After running your car, all parts of the Motor and ESC can become extremely hot. Be careful not to touch these parts.
- This model is controlled by your radio and that is vulnerable to interference from many outside sources. This interference can cause a loss of control so it is necessary to operate this model in an open area to avoid personal, or property damage. Always ensure turning on your radio first.
- Keep all the products included in the package out of reach of children.
- This model contains many fast rotating parts. Never touch them during operation.
- Follow the instruction included with your radio gear.
- Never operate your model near people or property. The speed of this model has the potential for injury and or damage to people and or property.
- Always use original SWORKz spare and option parts.
- Always ensure the buggy is in proper working condition before use.
- Always exercise caution when using any and all tools.

BAG B

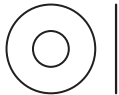
1 **F** **R** **x2**



330015
Pin M2.2x9.9mm **x4**



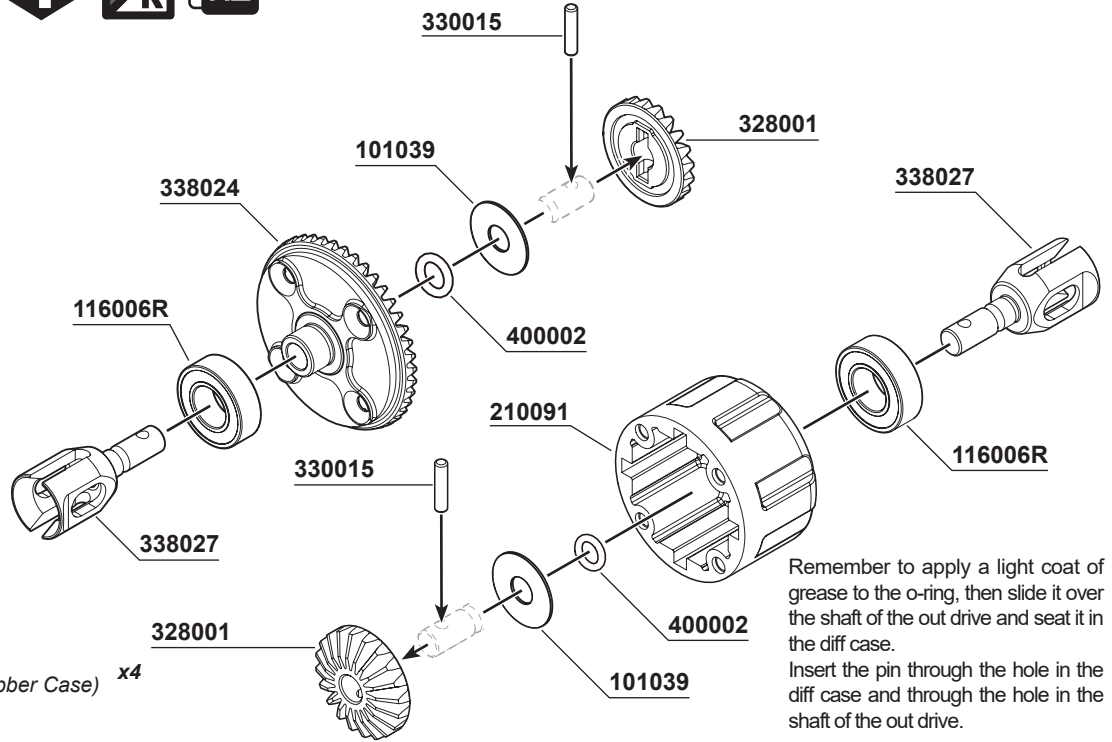
400002
O-ring S5 4.8X1.5 **x4**



101039
Washer 5x12x0.3 **x2**



116006R
Ball Bearing 8x16x5mm (Red Rubber Case) **x4**

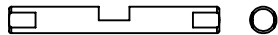


Remember to apply a light coat of grease to the o-ring, then slide it over the shaft of the out drive and seat it in the diff case.
Insert the pin through the hole in the diff case and through the hole in the shaft of the out drive.

2 **F** **R** **x2**



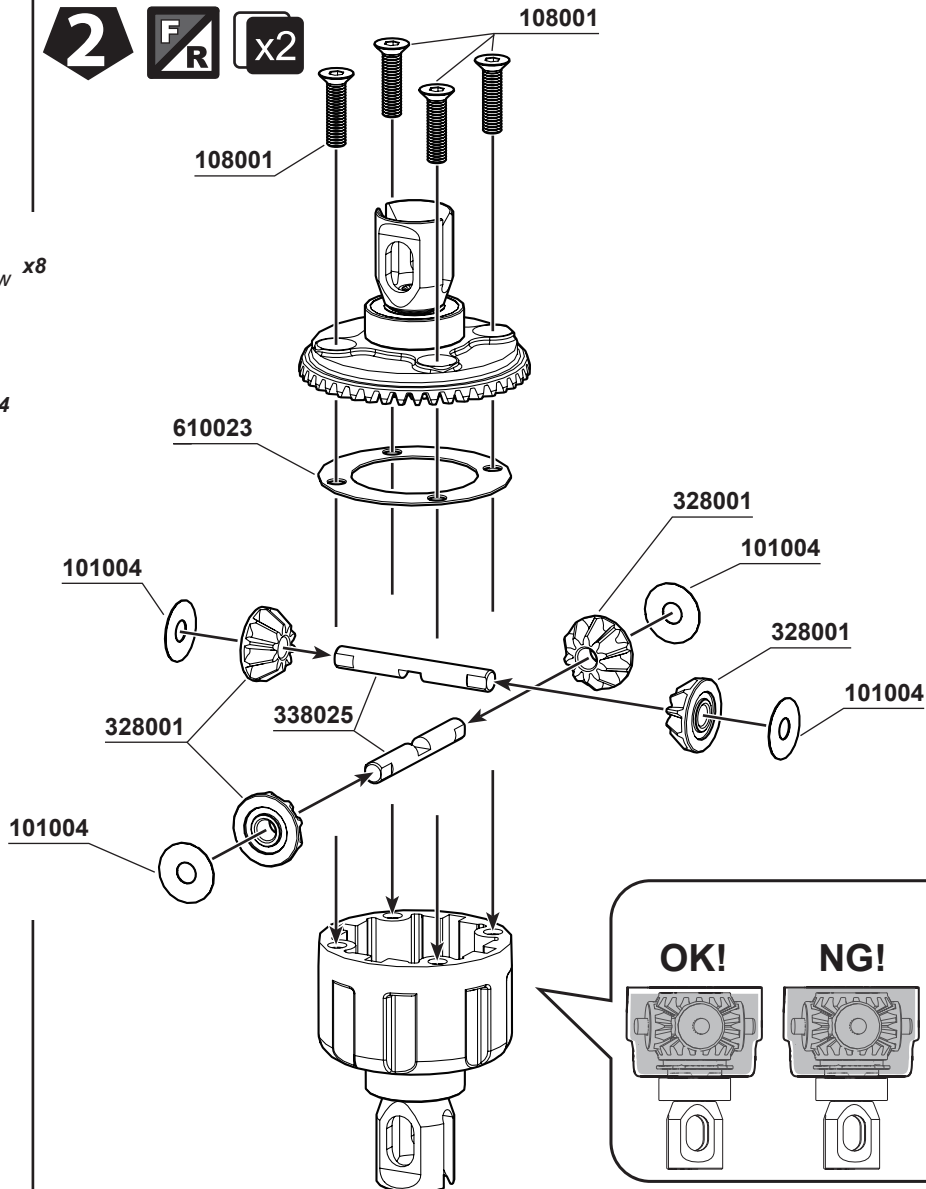
108001
M3x12mm FH/ST HEX Screw **x8**



338025
S35-3W Bevel Gear Shaft **x4**



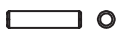
101004
Washer 3.5X10X0.2mm **x8**



OK!

NG!

Fill the differentials with oil up to 80% above the satellite gears.
Put the SWORKz Diff. Oil 50000cps for the front Diff. and 50000cps for the rear Diff.



330015
Pin M2.2x9.9mm x2



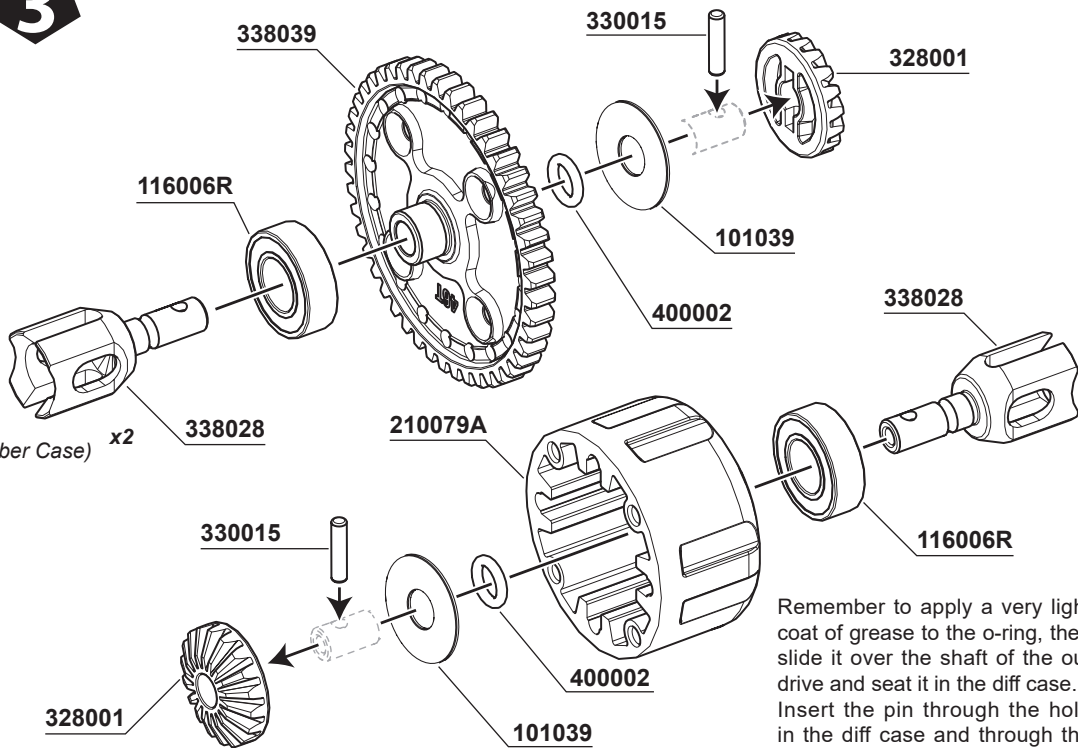
400002
O-ring S5 4.8X1.5 x2



116006R
Ball Bearing 8x16x5mm (Red Rubber Case) x2



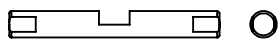
101039
Washer 5x12x0.3 x2



Remember to apply a very light coat of grease to the o-ring, then slide it over the shaft of the out drive and seat it in the diff case. Insert the pin through the hole in the diff case and through the hole in the shaft of the out drive.



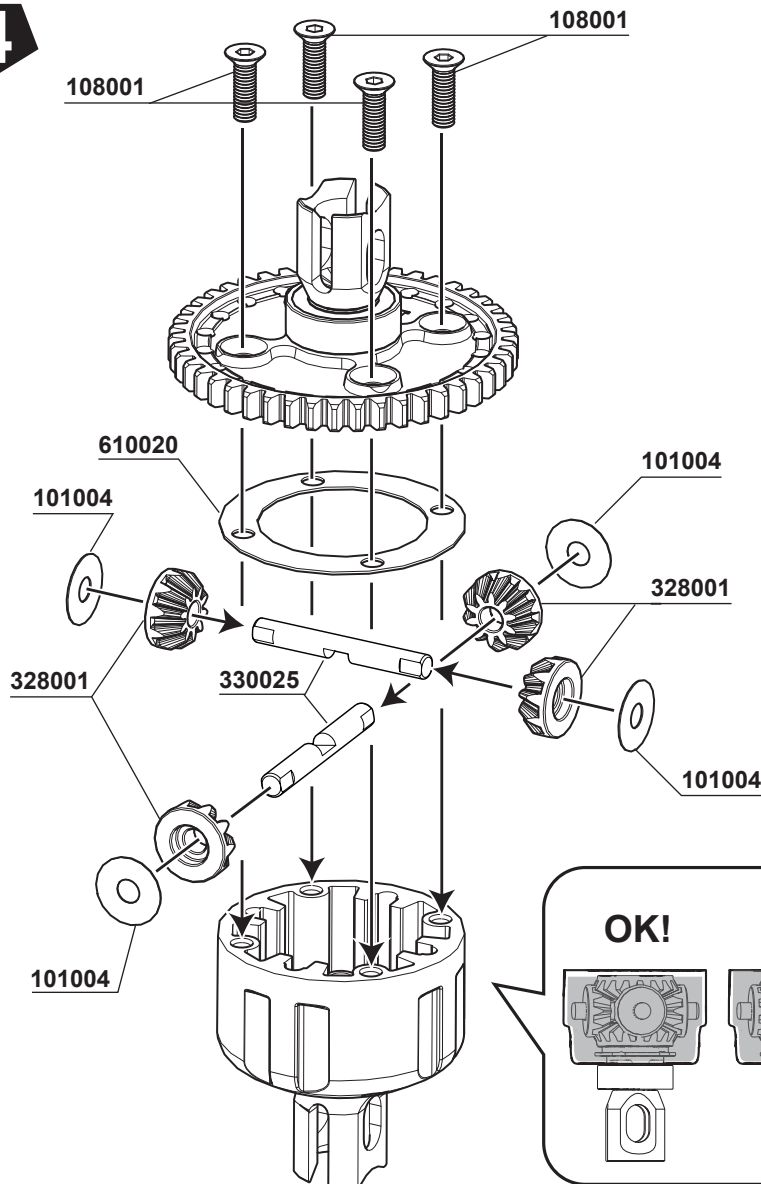
108001
M3x12mm FH/ST HEX Screw x4



338025
S35-3W Bevel Gear Shaft x4



101004
Washer 3.5X10X0.2mm x4



OK!	NG!	Fill the differentials with oil up to 80% above the satellite gears. Put the SWORKz Diff. Oil 500000cps for the center Diff.

Pro Tip:
Before installing the M5x4 set screw (104010), remember to clean the set screw and center driver joint (330661A) first. Then apply TLC on the set screw.



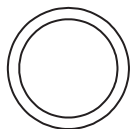
104010
M5x4mm Set Screw (Flat Bottom) **x1**



108001
M3x12mm FH/ST HEX Screw **x4**



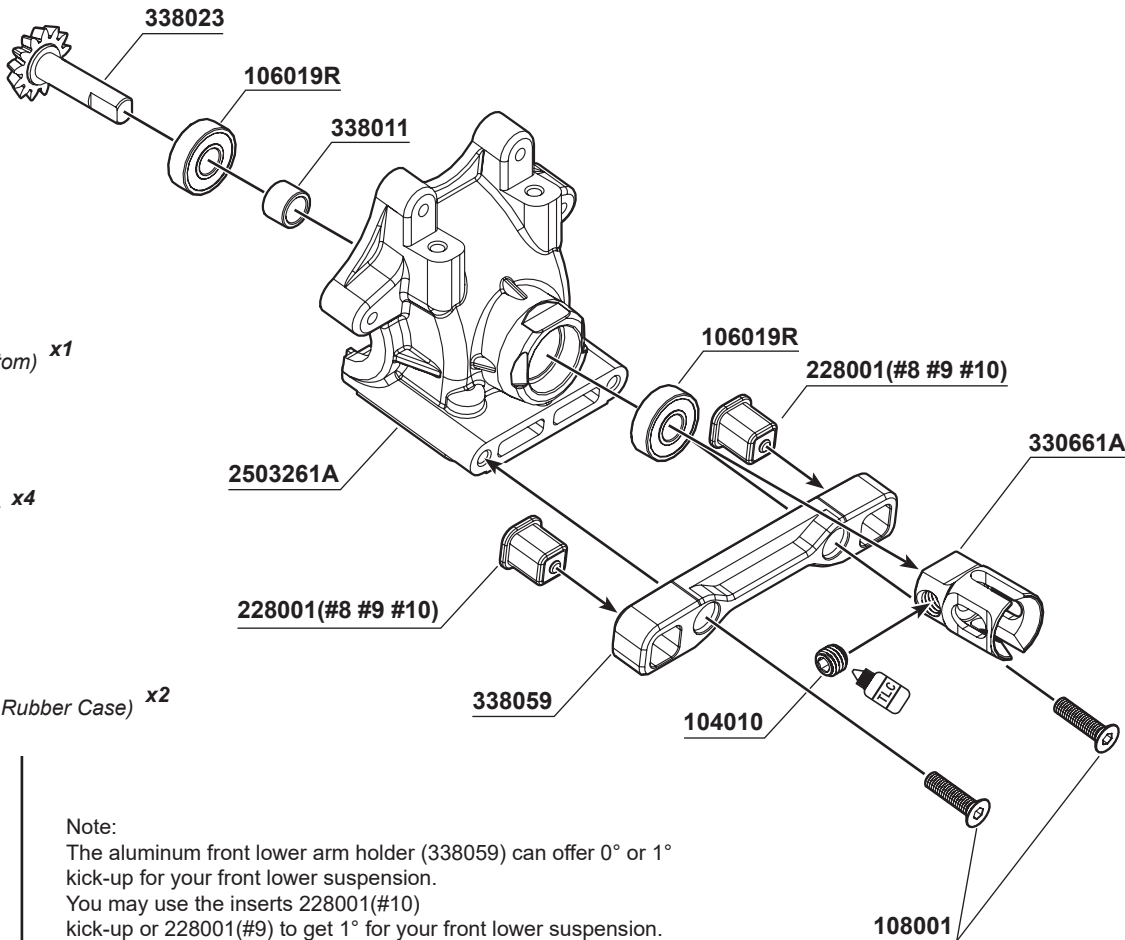
116019R
Ball Bearing 5x13x4mm (Red Rubber Case) **x2**



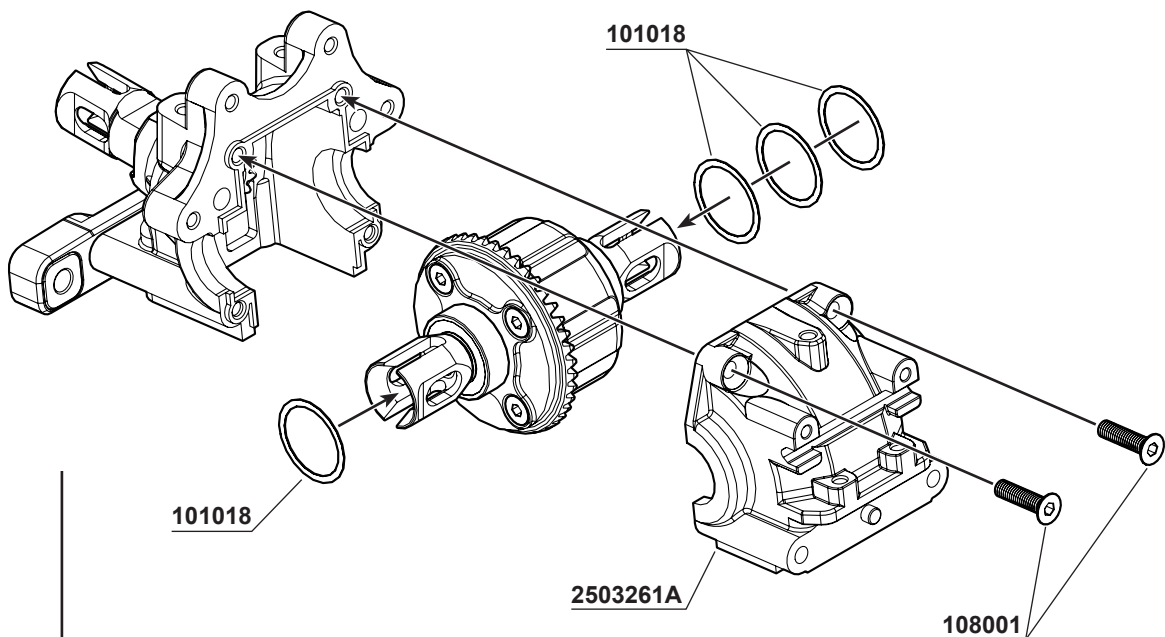
101018
SHIM 13x16x0.2mm **x4**



338011
S35 series Pinion Gear Stopper (5x7x5.1mm) **x1**



Note:
The aluminum front lower arm holder (338059) can offer 0° or 1° kick-up for your front lower suspension. You may use the inserts 228001(#10) kick-up or 228001(#9) to get 1° for your front lower suspension.



Note:
101018SHIM 13x16x0.2mm
Please use 13x16x0.2mm shims to adjust the play between the crown gear and pinion gear. Standard suggestion is 1pc shim on the diff crown gear side and 3 pcs on the other side.

BAG D

6 Rear

Pro Tip:
Before installing the M5x4 set screw (104010), remember to clean the set screw and center driver joint (330661A) first. Then apply TLC on the set screw.

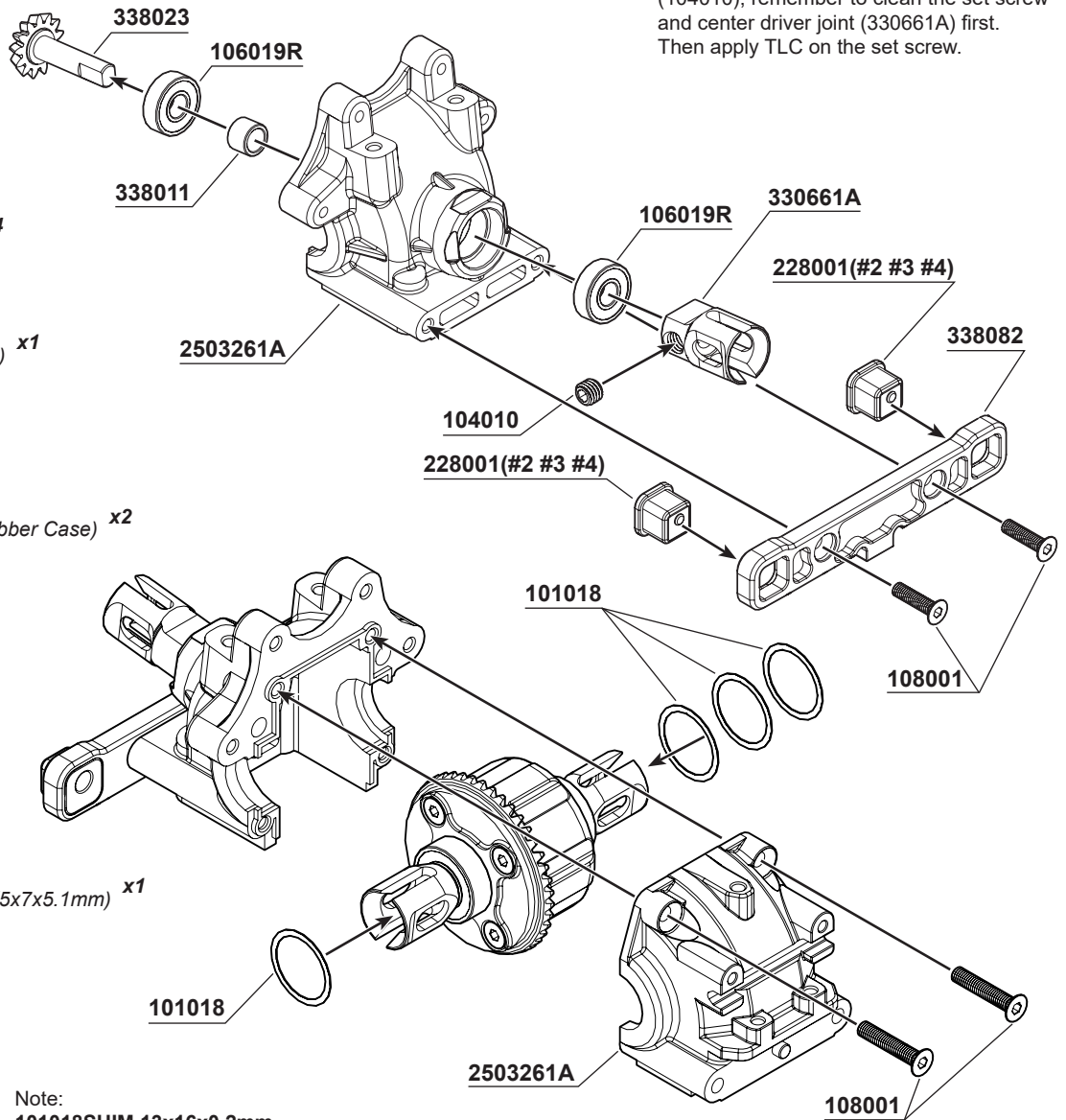
108001
M3x12mm FH/ST HEX Screw x4

104010
M5x4mm Set Screw (Flat Bottom) x1

116019R
Ball Bearing 5x13x4mm (Red Rubber Case) x2

101018
SHIM 13x16x0.2mm x4

338011
S35 series Pinion Gear Stopper (5x7x5.1mm) x1



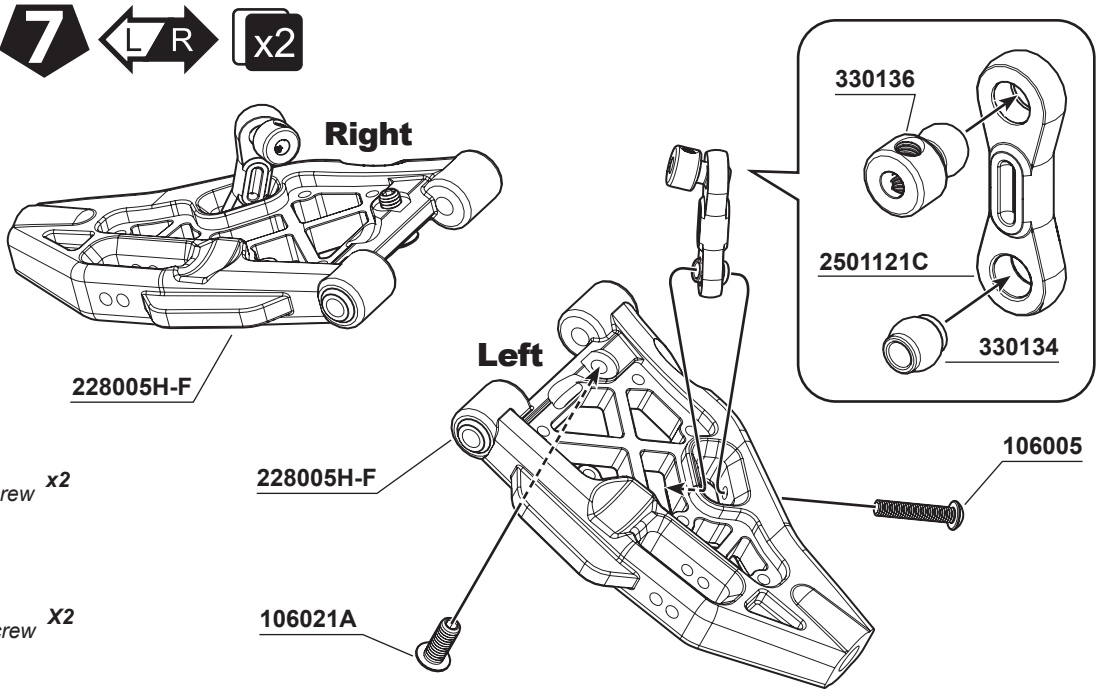
Note:
101018SHIM 13x16x0.2mm
Please use 13x16x0.2mm shims to adjust the play between the crown gear and pinion gear. Standard suggestion is 1pc shim on the diff crown gear side and 3 pcs on the other side.

BAG E1

7 x2

106005
M3x15mm Hex Socket OH/TP Screw x2

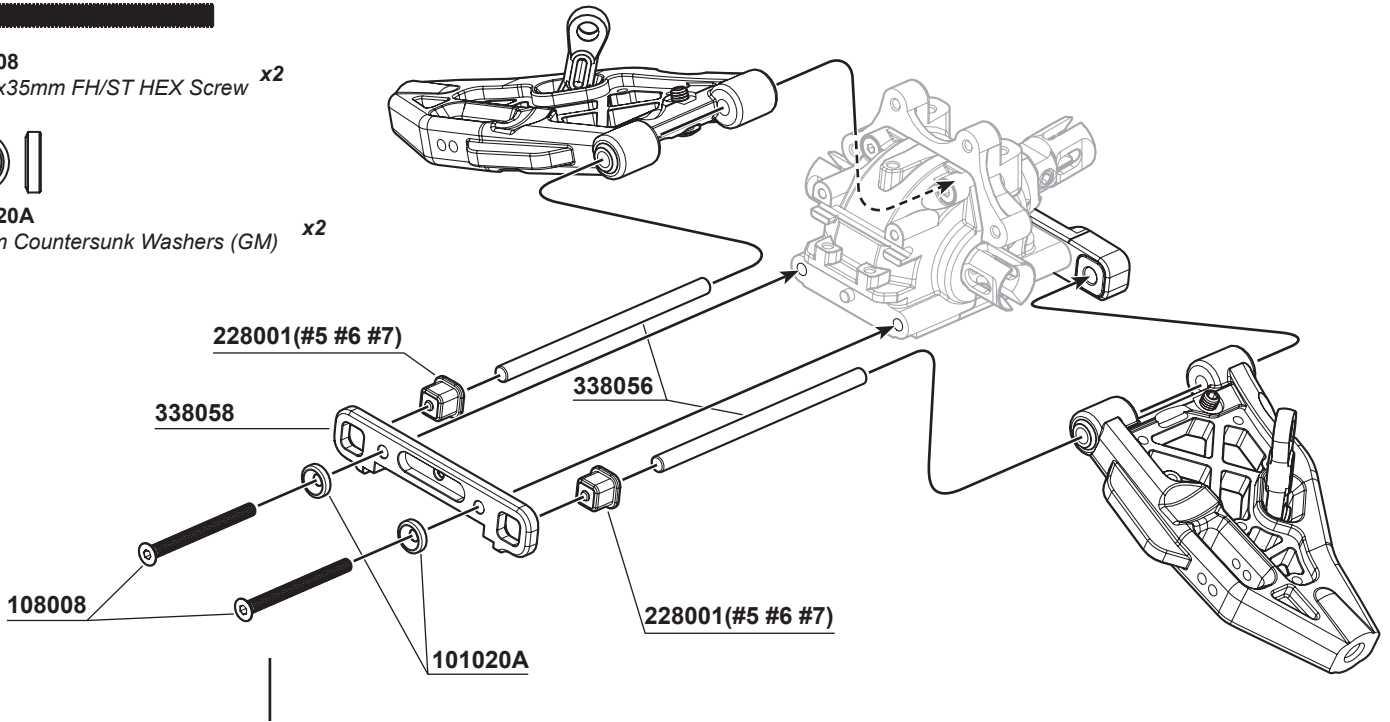
106021A
M4x10mm Hex Socket OH/TP Screw x2



108008
M3x35mm FH/ST HEX Screw x2



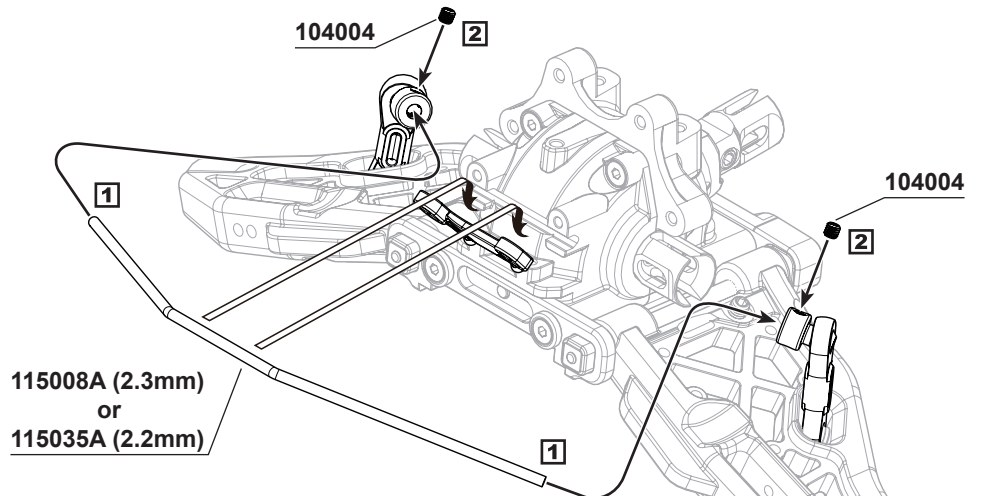
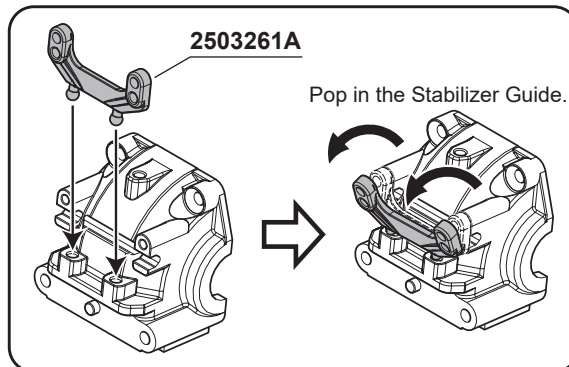
101020A
3mm Countersunk Washers (GM) x2



338056
S35-4 Series Lower Arm Hinge Pin (68.5mm) x2

104004
M3x3mm Set Screw x2

9

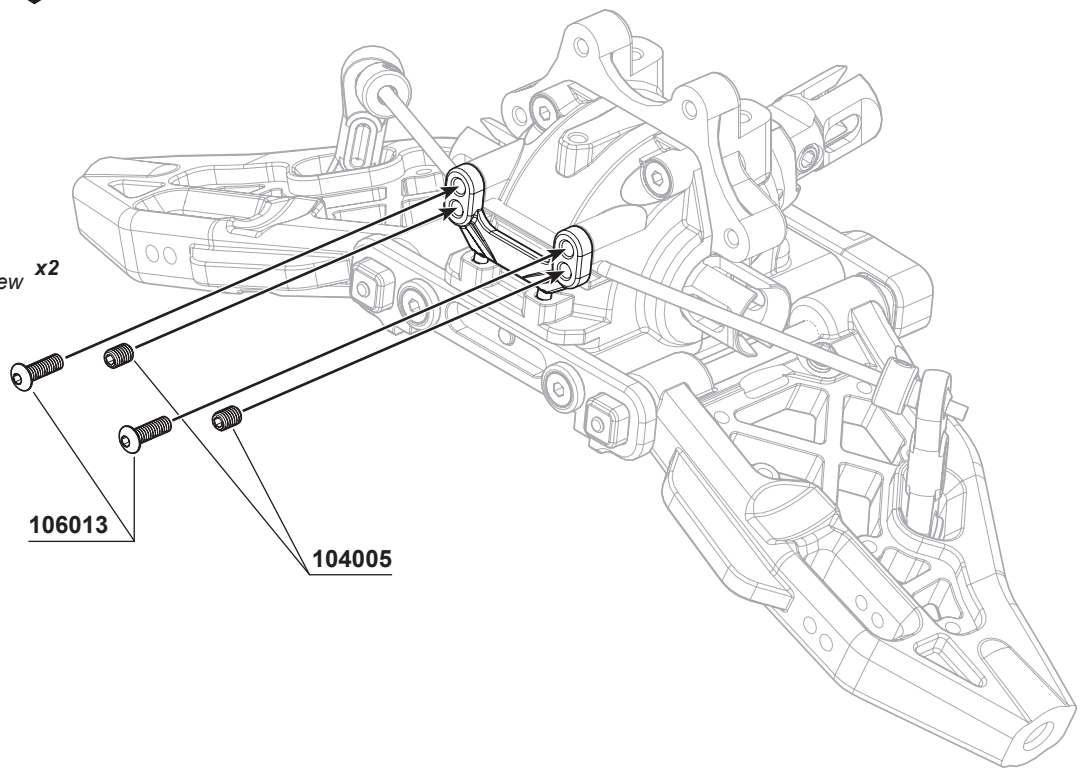




104005
M3x4mm Set Screw x2



106013
M2.5x8mmH ex Socket OH/TPScrew x2



11 **L** **R** **x2**

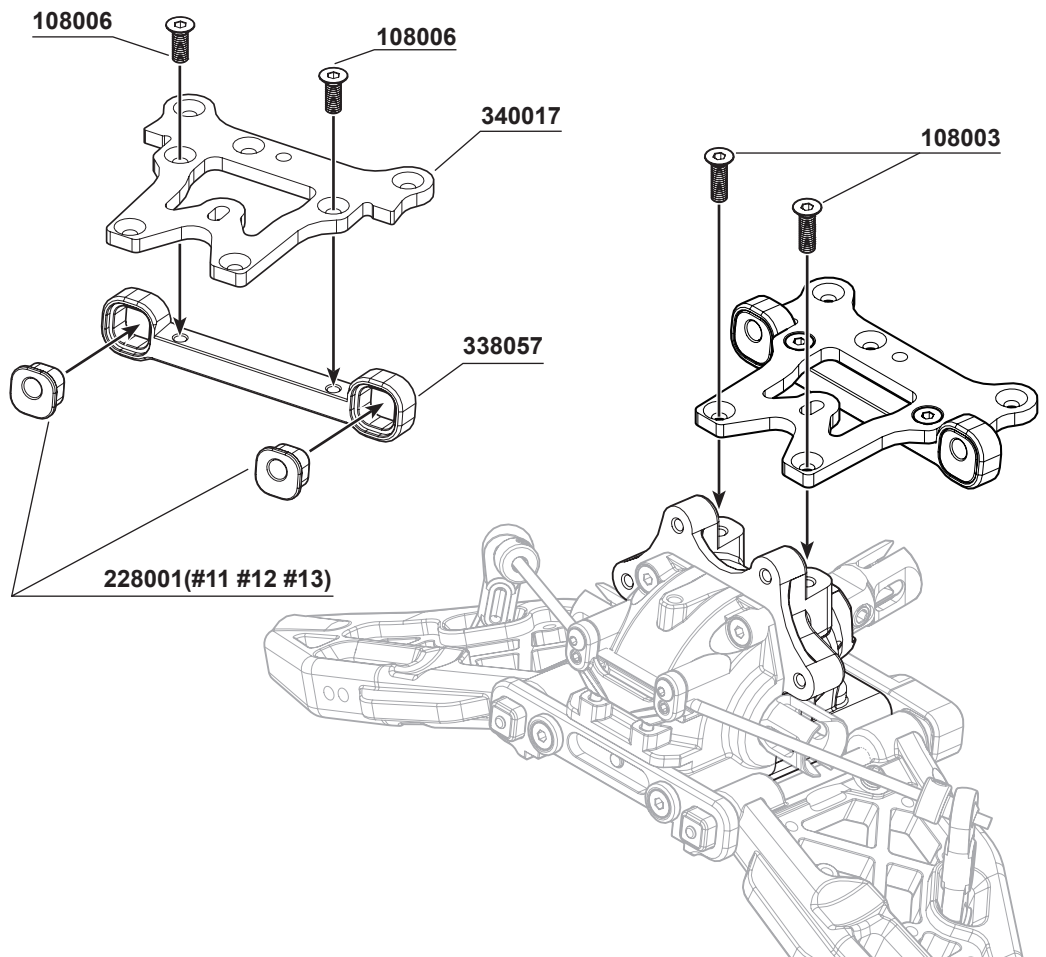
Note:
The aluminum front upper arm holder (338057) can offer either 0° or + -1° kick-up for your front upper arm suspension. You may use the inserts 228001(#13) to get 0° kick-up or 228001(#12) to get +-1° for your front upper suspension.



108003
M3x10mm FH/ST HEX Screw x2



108006
M3x8mm FH/ST HEX Screw x2



PRO TIP:

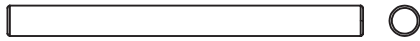
The S35-GT2/2e Front Upper Arm Adjust Inserts can give different steering adjustments (Ackerman). Put all inserts behind the front upper arms, you will get faster steering response. Otherwise put all inserts in front of the upper arms, you will get more stable steering response. Try to use 2503260-1 or 2503260-3 to adjust the front upper arm position.



108001
M3x12mm FH/ST HEX Screw x2



106015
M3x5mm Hex Socket OH/TP Screw x2



330119
Front Upper Arm HingPin x2

338081

228001(#14 #15 #16)

106015

108001

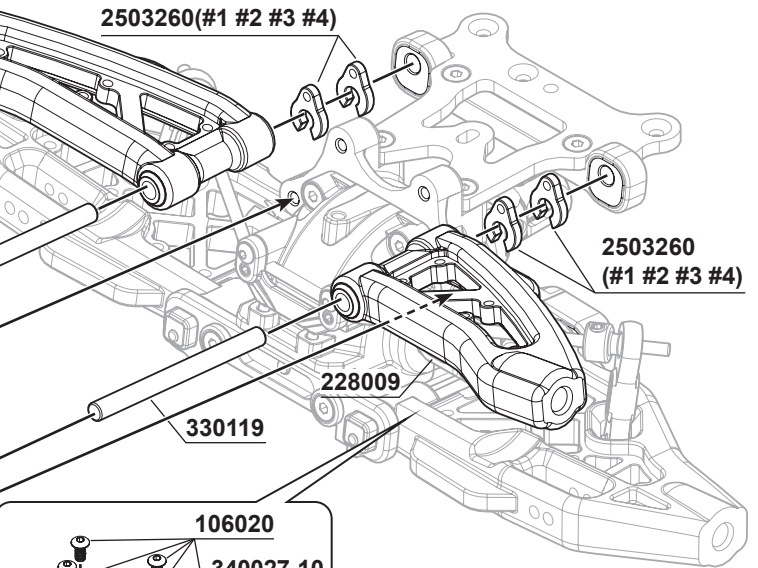
106015

108001

228001(#14 #15 #16)



106020
M2.5x5mm Hex Socket OH/TP Screw x10



2503260(#1 #2 #3 #4)

330119

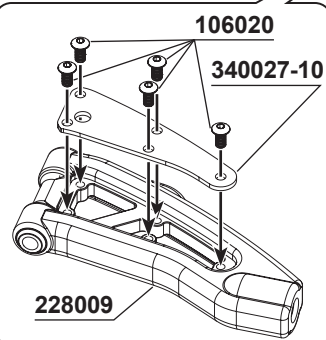
2503260
(#1 #2 #3 #4)

228009

330119

106020

340027-10



228009

Note:

- 2503260-1
- S35-3 Front Upper Arm Adjust Insert (0.9mm)
- 2503260-2
- S35-3 Front Upper Arm Adjust Insert (1.0mm)
- 2503260-3
- S35-3 Front Upper Arm Adjust Insert (1.1mm)
- 2503260-4
- S35-3 Front Upper Arm Adjust Insert (2.0mm)

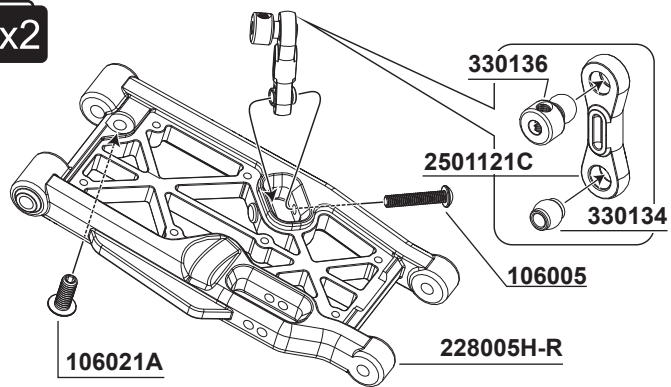


106005
M3x15mm Hex Socket OH/TP Screw x2



106021A
M4x10mm Hex Socket OH/TP Screw x2

13



330136

2501121C

330134

106005

106021A

228005H-R

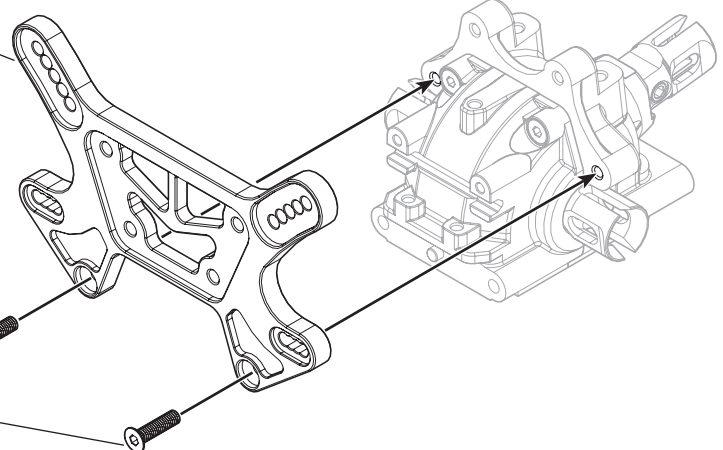


108001
M3x12mm FH/ST HEX Screw x2

14

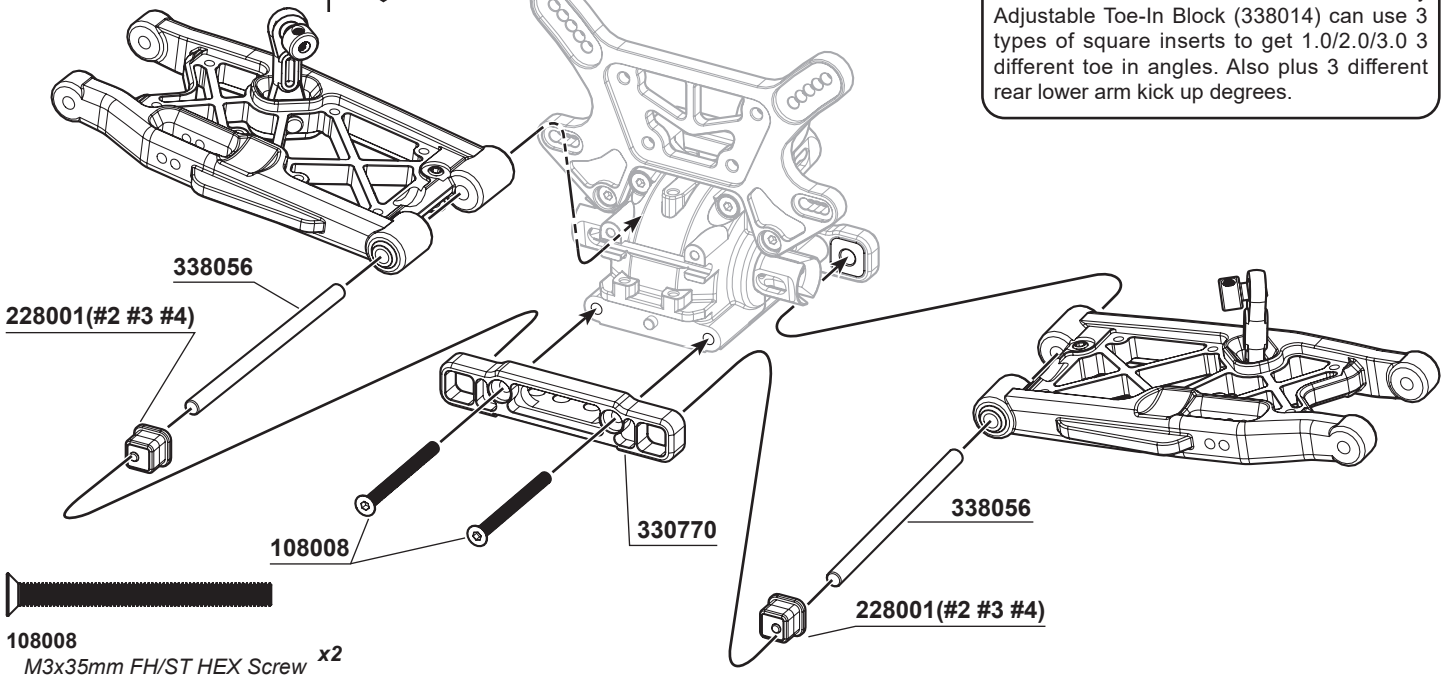
338083

108001



15

PRO TIP:
The S35-4 Aluminum Rear Lower Fully Adjustable Toe-In Block (338014) can use 3 types of square inserts to get 1.0/2.0/3.0 3 different toe in angles. Also plus 3 different rear lower arm kick up degrees.

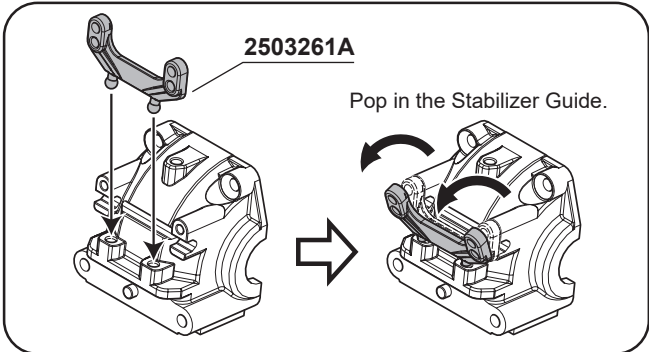


108008
M3x35mm FH/ST HEX Screw x2

338056
S35-4 Series Lower Arm Hinge Pin (68.5mm) x2

OPTION:
228001-2 S35-4 Series Rear Lower Arm Holder Square Insert (+1/+1)
228001-3 S35-4 Series Rear Lower Arm Holder Square Insert (0/+1)
228001-4 S35-4 Series Rear Lower Arm Holder Square Insert (0)

16

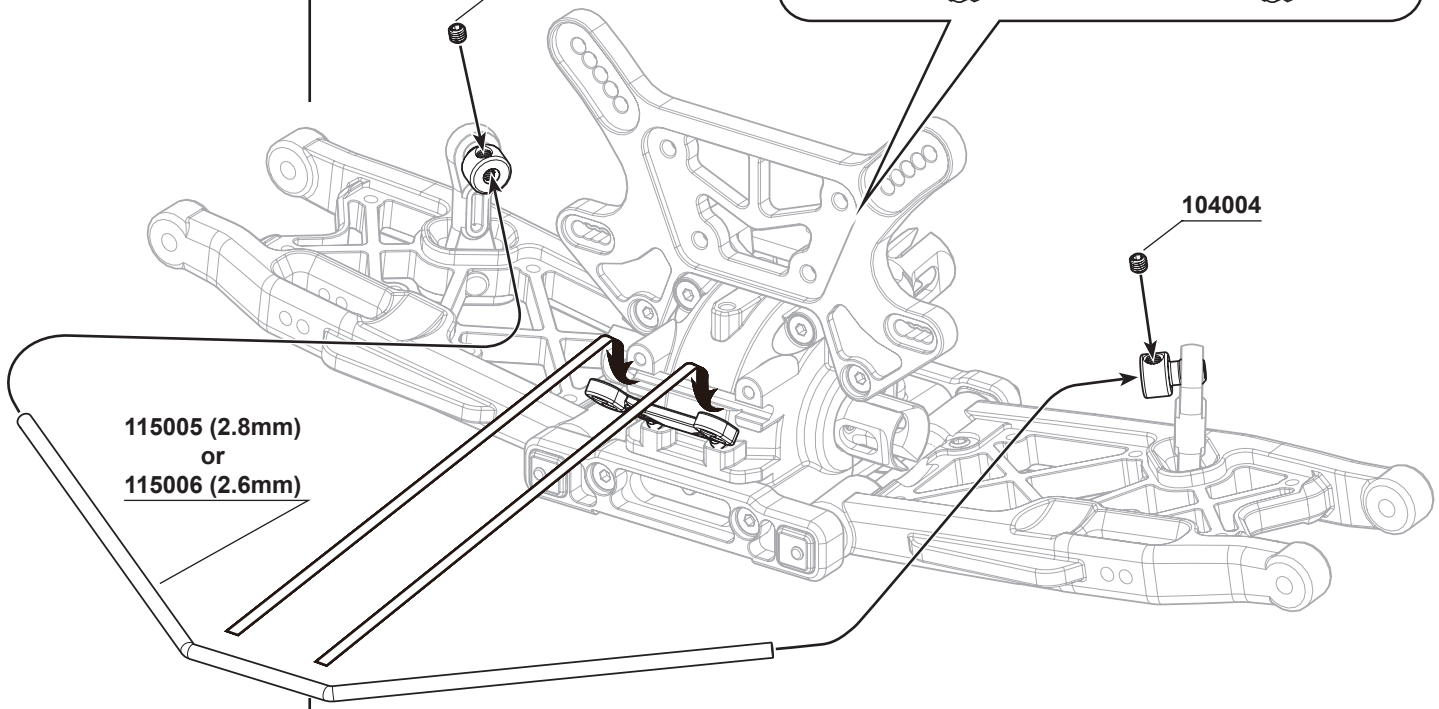


104004
M3x3mm Set Screw x2

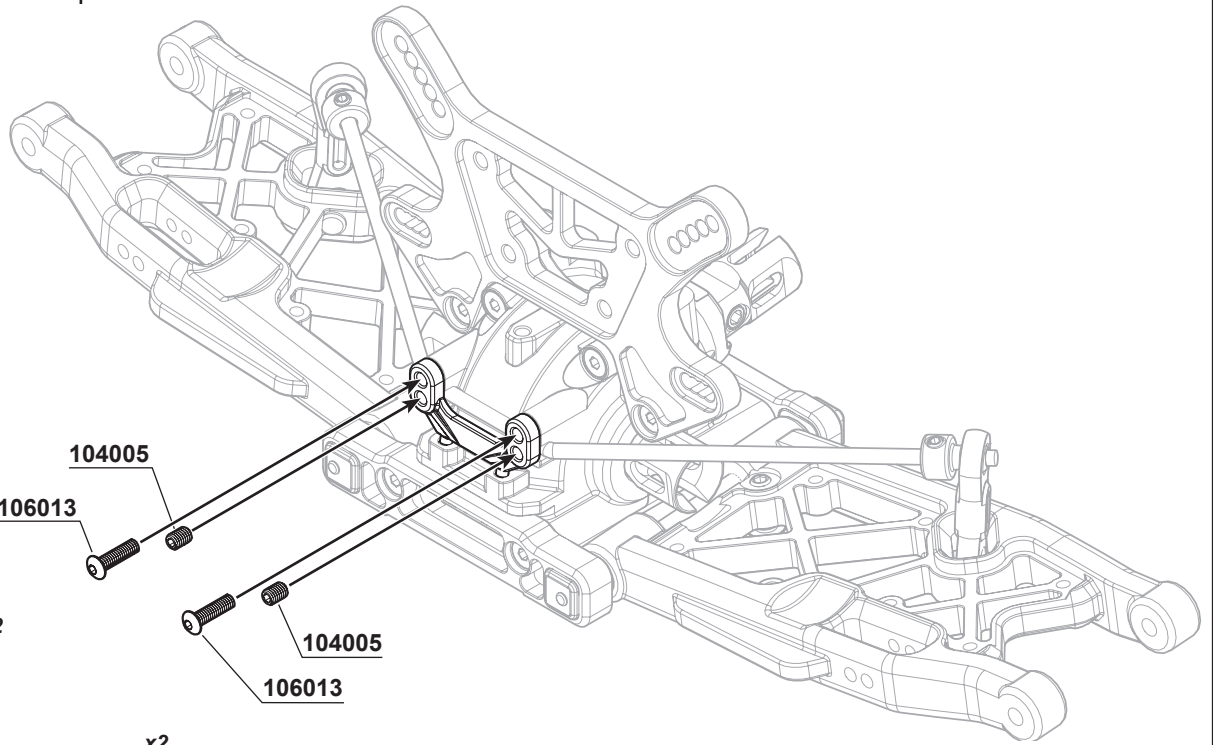
104004

104004

115005 (2.8mm)
or
115006 (2.6mm)



17



104005
M3x4mm Set Screw x2



106013
M2.5x8mm Hex Socket OH/TP Screw x2

BAG E2

18



103001
M3 Nut Lock x2



101021
M3x8xT1mm x2



116004R
Ball Bearing 6x10x3mm (Red Rubber Case) x2



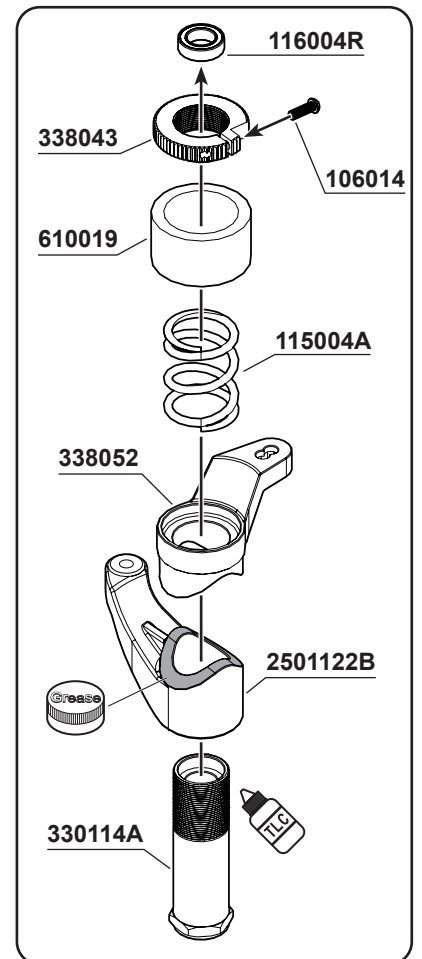
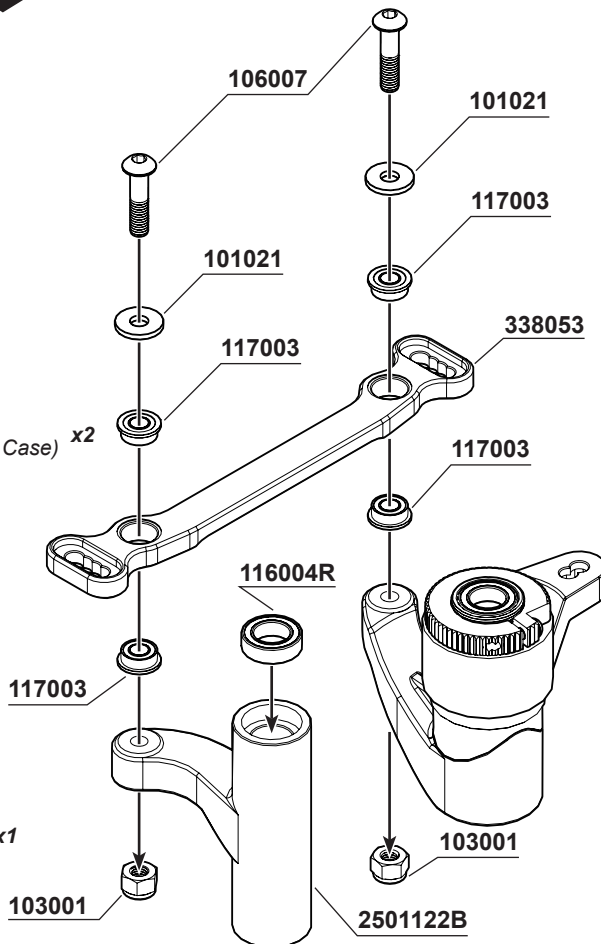
117003
Flange Ball Bearing 3x6x2.5mm x4



106007
M3x12mm Hex Socket OH/TP Screw(HT) x2



106014
M2x6mm Hex Socket OH/TP Screw x1





108003
M3x10mm FH/ST HEX Screw **x2**

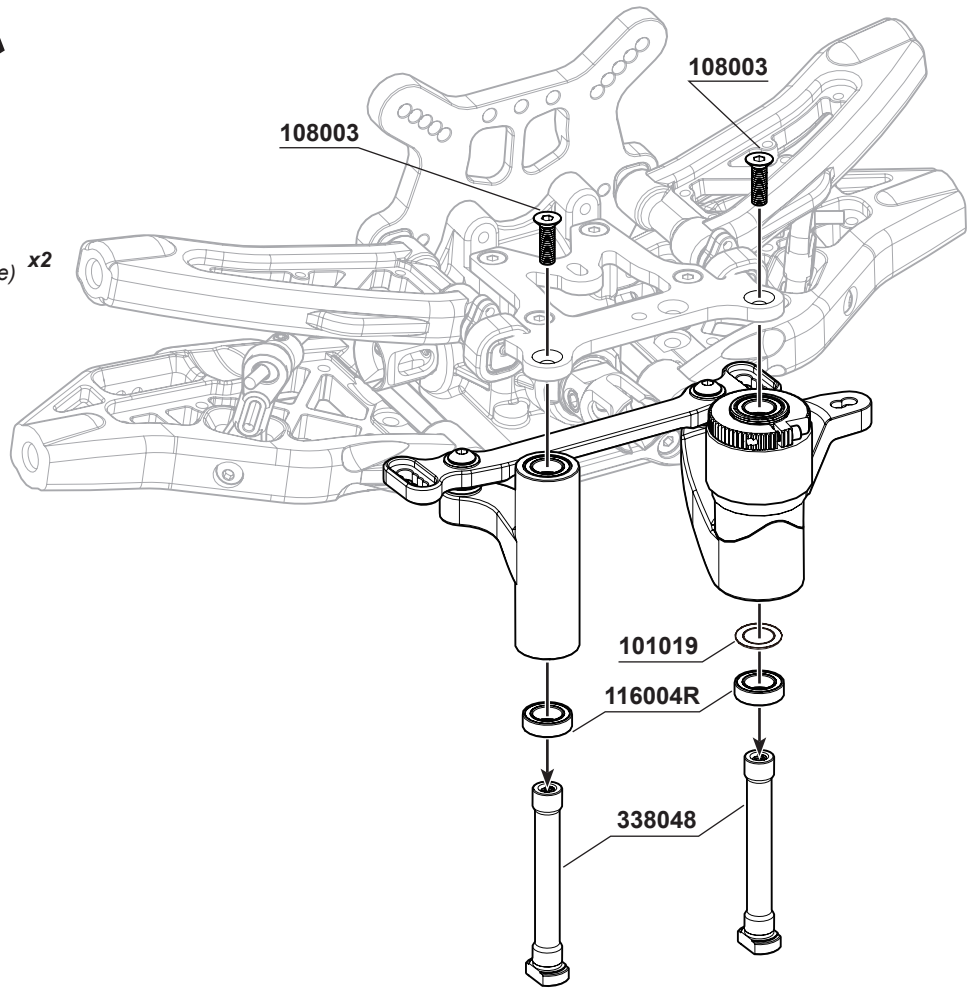


116004R
Ball Bearing 6x10x3mm (Red Rubber Case) **x2**



101019
SHIM 6.0x10.0x0.2mm **x1**

19

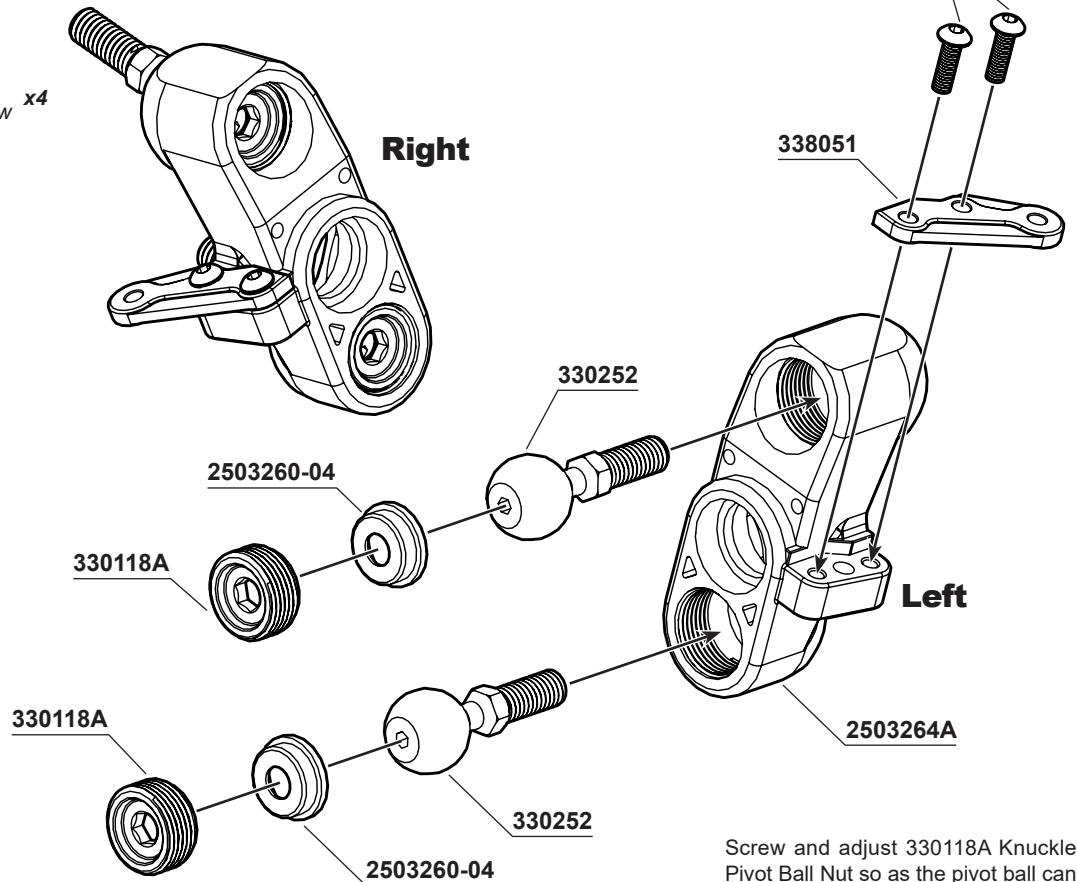


BAG E3

20 **L R** **x2**



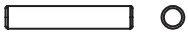
106002
M3x10mm Hex Socket OH/TP Screw **x4**



Screw and adjust 330118A Knuckle
Pivot Ball Nut so as the pivot ball can
be moved smoothly.



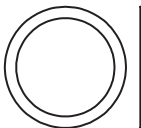
104010
M5x4mm Set Screw (Flat Bottom) **x2**



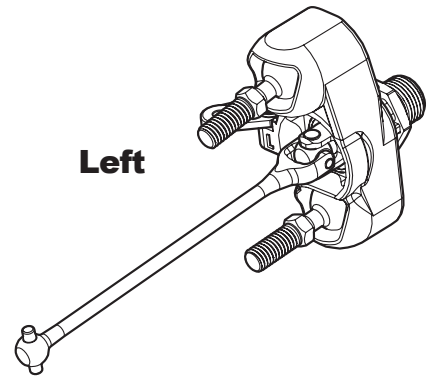
330124
Pin M3.0x16.8mm **x2**



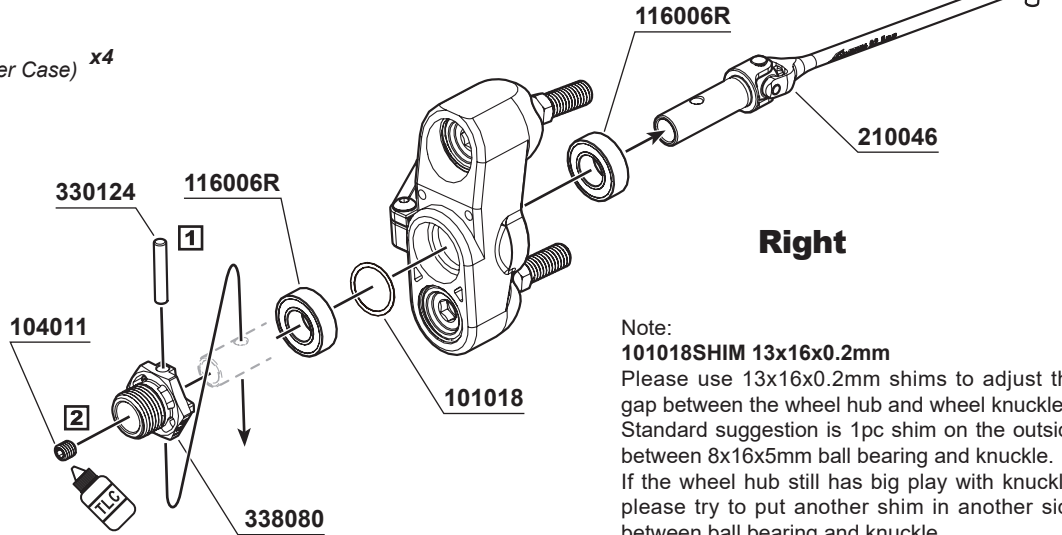
116006R
Ball Bearing 8x16x5mm (Red Rubber Case) **x4**



101018
SHIM 13x16x0.2mm **x2**



Left



Note:
101018SHIM 13x16x0.2mm
Please use 13x16x0.2mm shims to adjust the gap between the wheel hub and wheel knuckles. Standard suggestion is 1pc shim on the outside between 8x16x5mm ball bearing and knuckle. If the wheel hub still has big play with knuckle, please try to put another shim in another side between ball bearing and knuckle.



106001
M3x10mm Hex Soket OH/TP Screw **x8**



106009
M3x25mm Hex Soket OH/TP Screw **x4**



103001
M3 Nut Lock **x4**



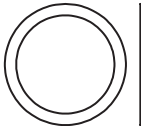
104010
M5x4mm Set Screw (Flat Bottom) **x2**



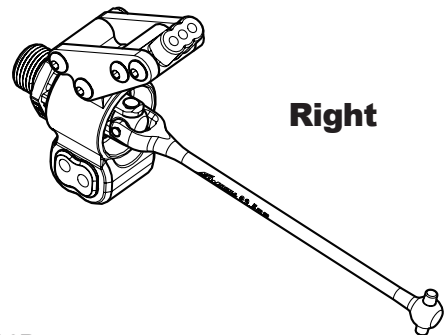
116006R
Ball Bearing 8x16x5mm (Red Rubber Case) **x4**



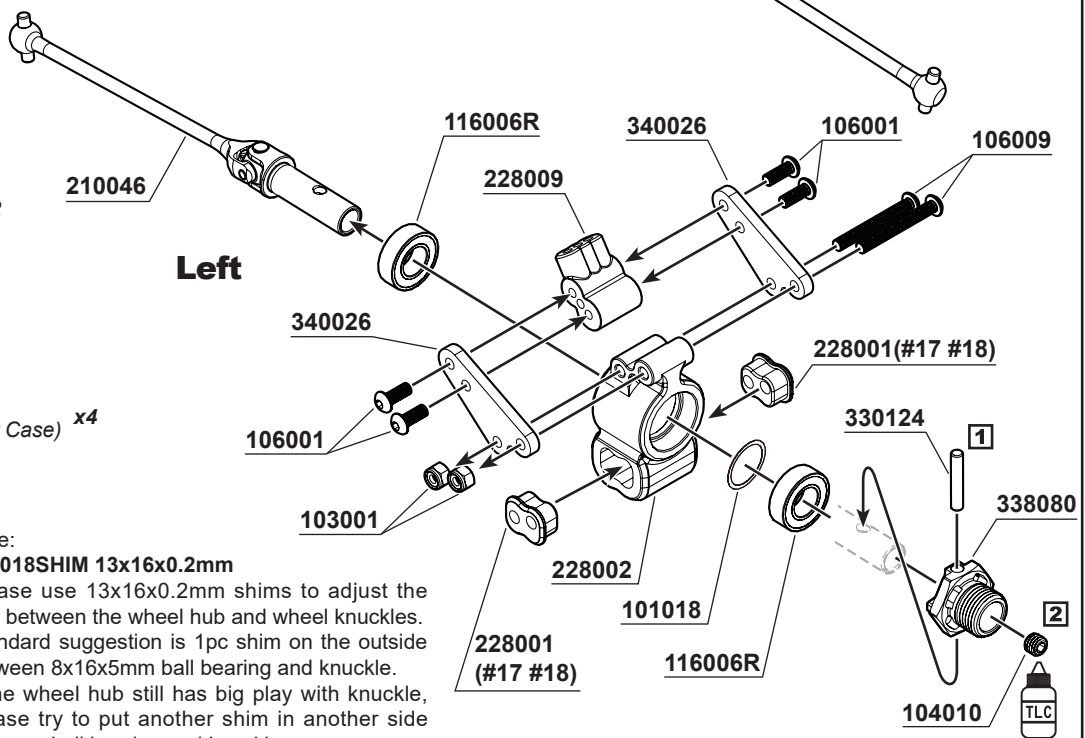
330124
Pin M3.0x16.8mm **x2**



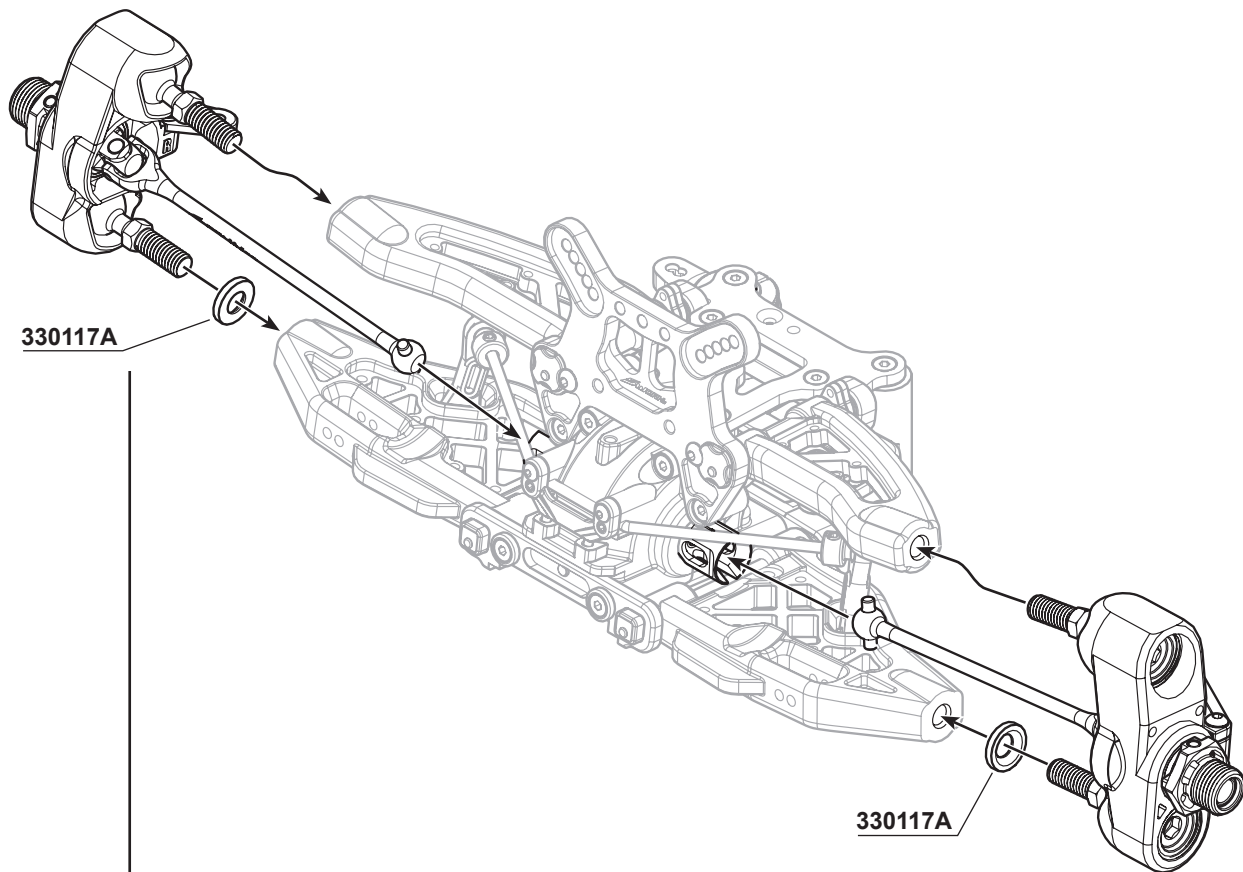
101018
SHIM 13x16x0.2mm **x2**



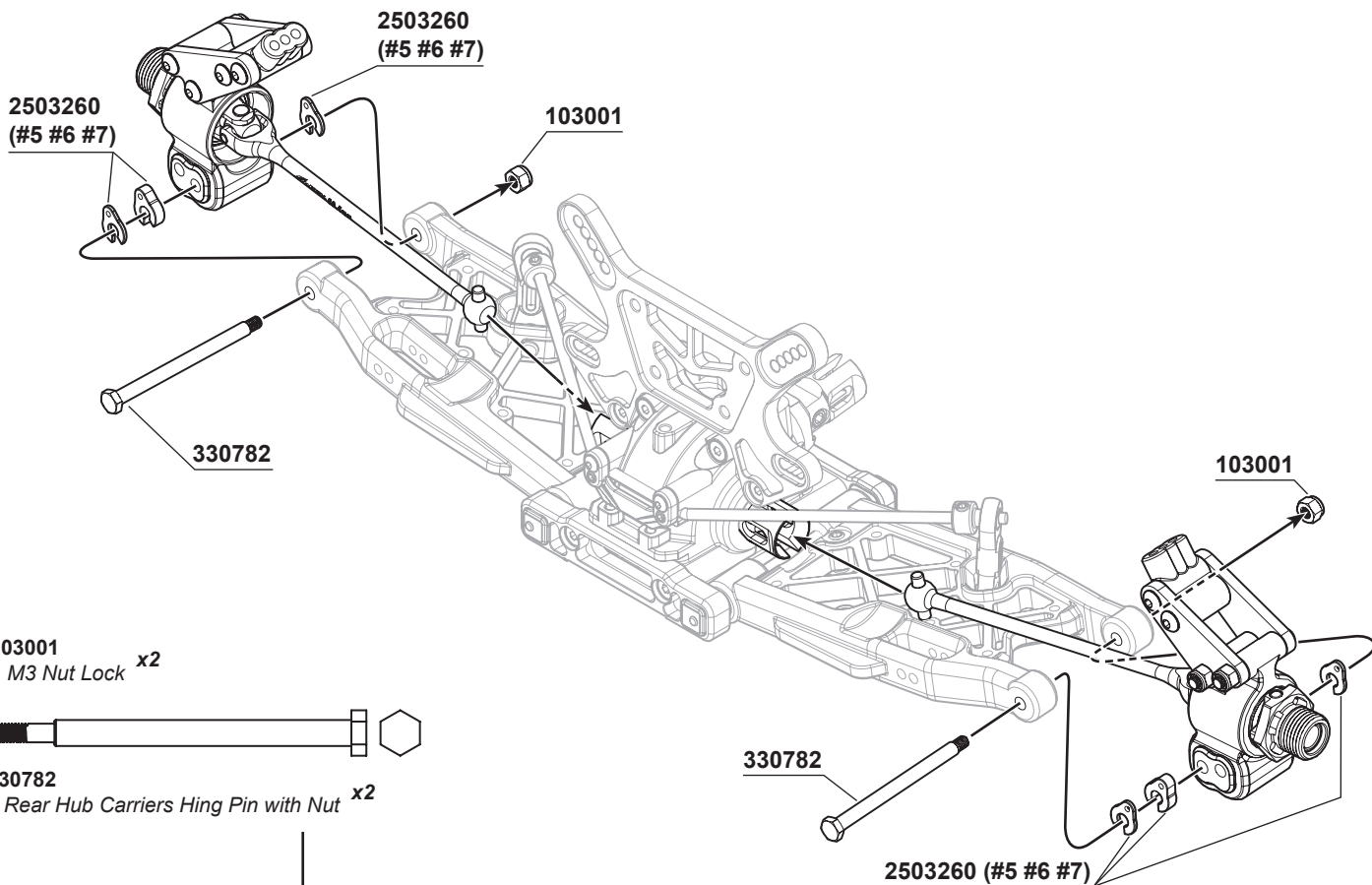
Right



Note:
101018SHIM 13x16x0.2mm
Please use 13x16x0.2mm shims to adjust the gap between the wheel hub and wheel knuckles. Standard suggestion is 1pc shim on the outside between 8x16x5mm ball bearing and knuckle. If the wheel hub still has big play with knuckle, please try to put another shim in another side between ball bearing and knuckle.

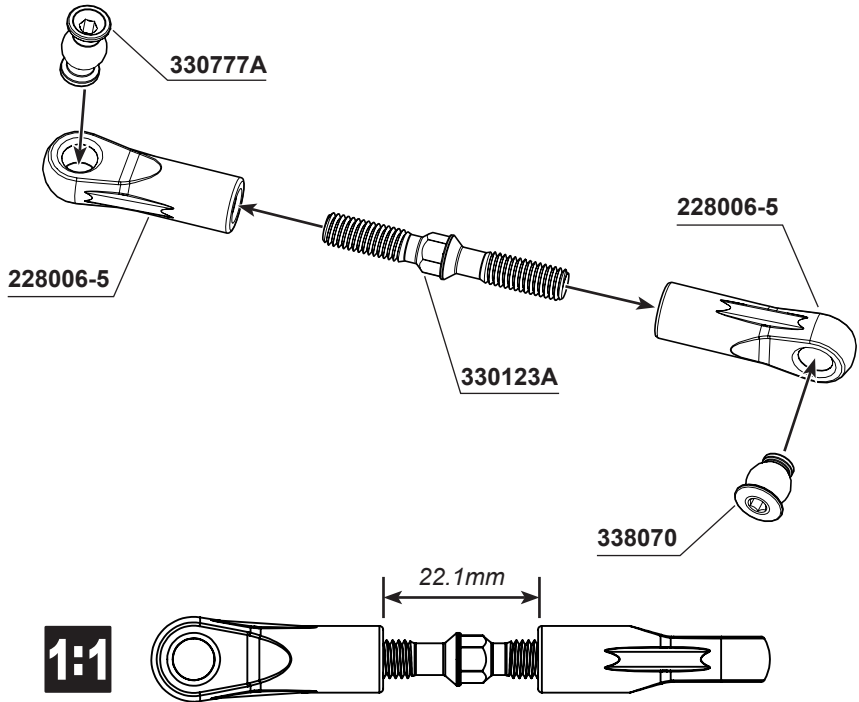


24





330123A
Rear Upper Sus. Arm Turnbuckles **x2**



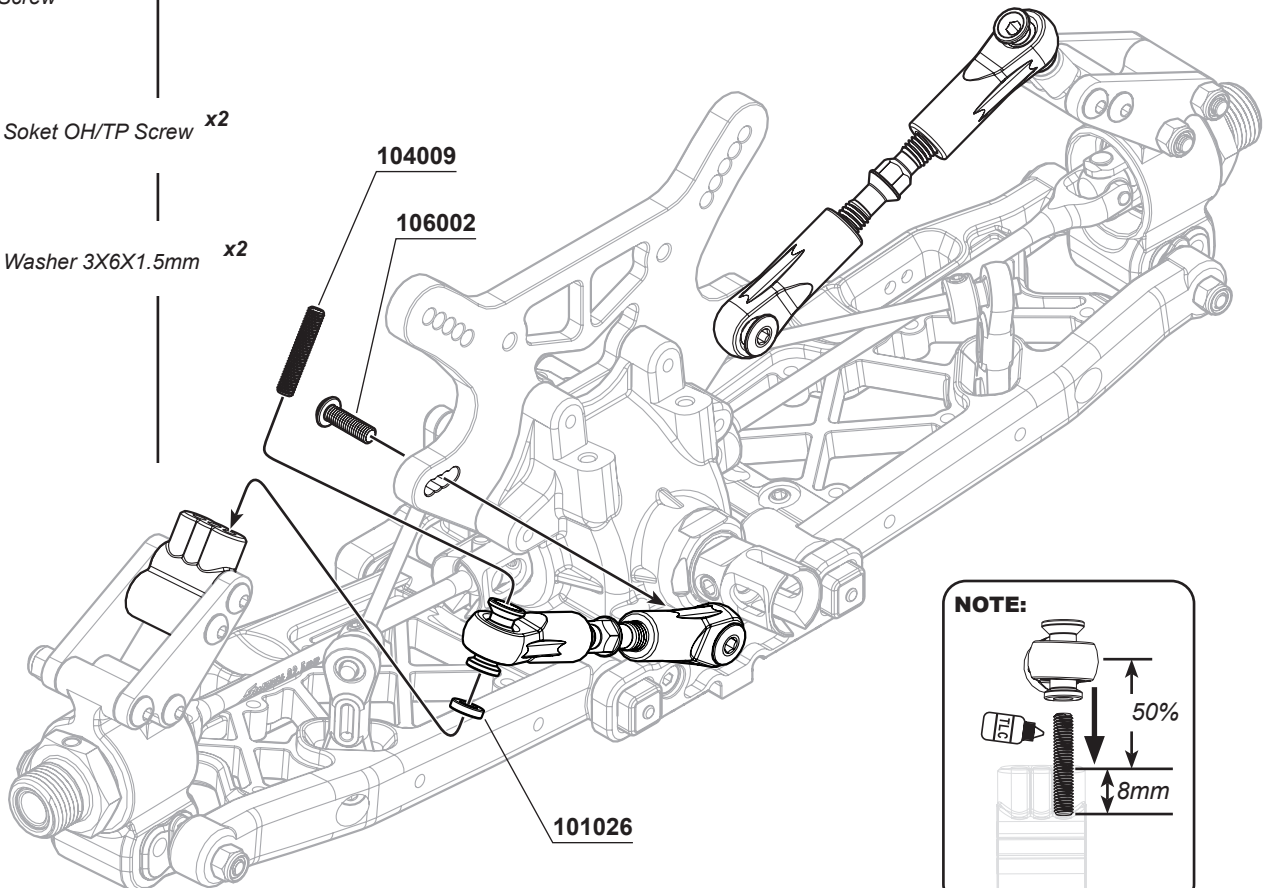
104009
M3x16mm Set Screw **x2**



106002
M3x10mm Hex Scket OH/TP Screw **x2**



101026
S102 Aluminum Washer 3X6X1.5mm **x2**



NOTE:



103001
M3 Nut Lock x2



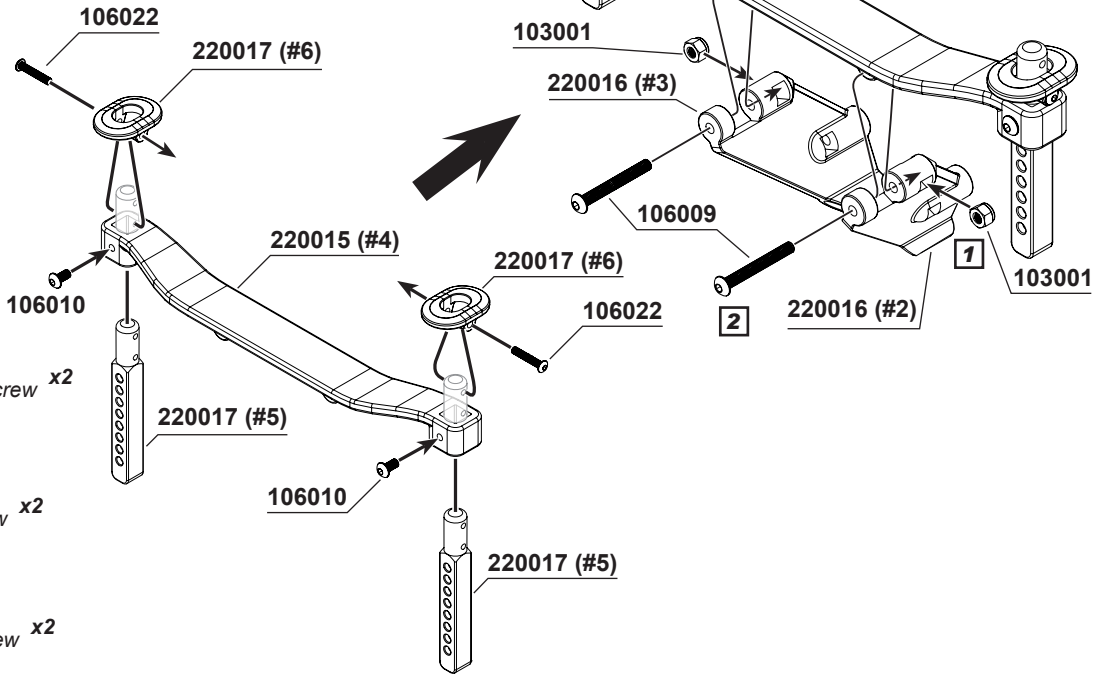
106022
M2.5x14mm Hex Socket OH/TP Screw x2



106010
M3x6mm Hex Socket OH/TP Screw x2



106009
M3x25mm Hex Socket OH/TP Screw x2



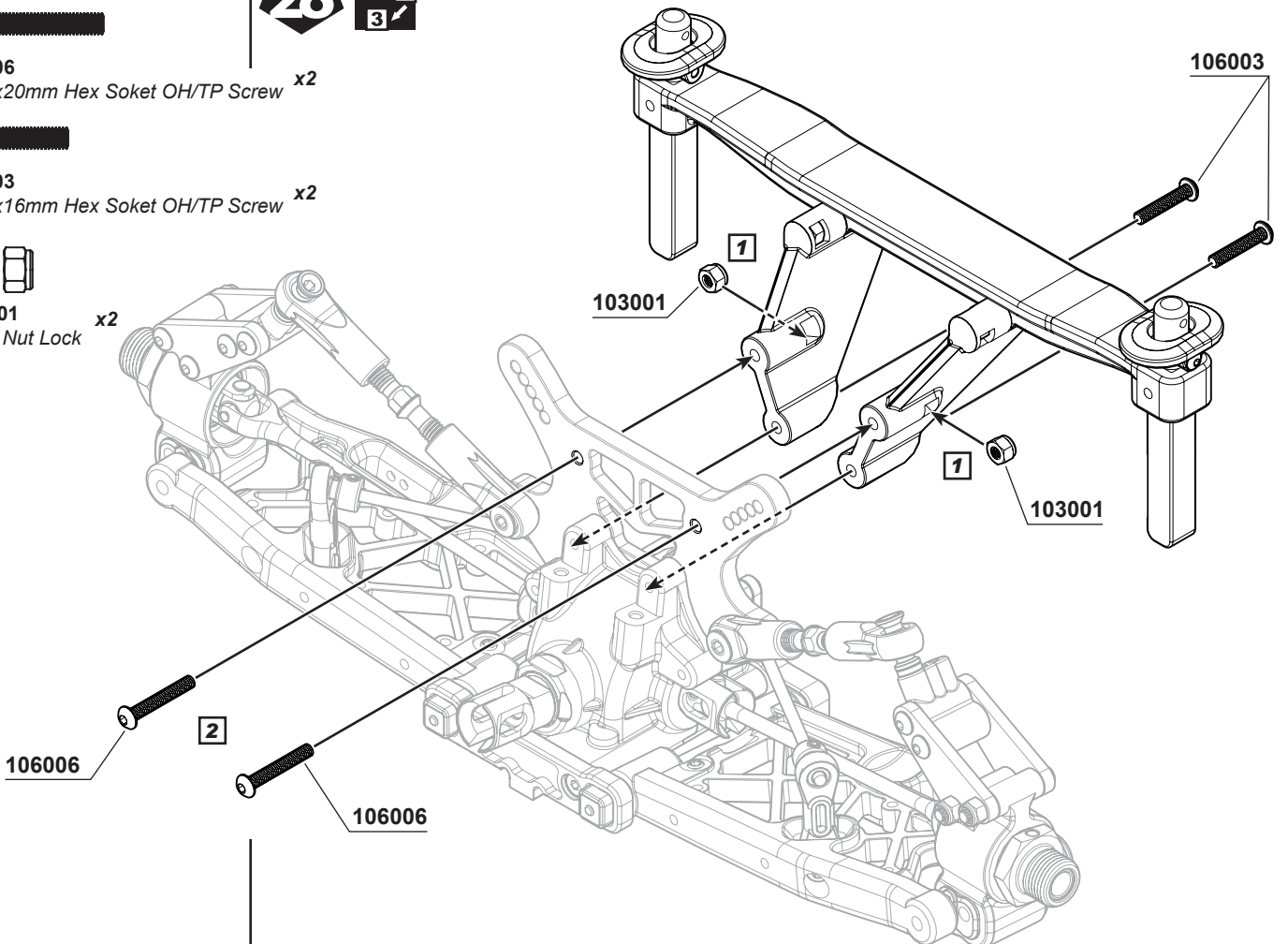
106006
M3x20mm Hex Socket OH/TP Screw x2



106003
M3x16mm Hex Socket OH/TP Screw x2

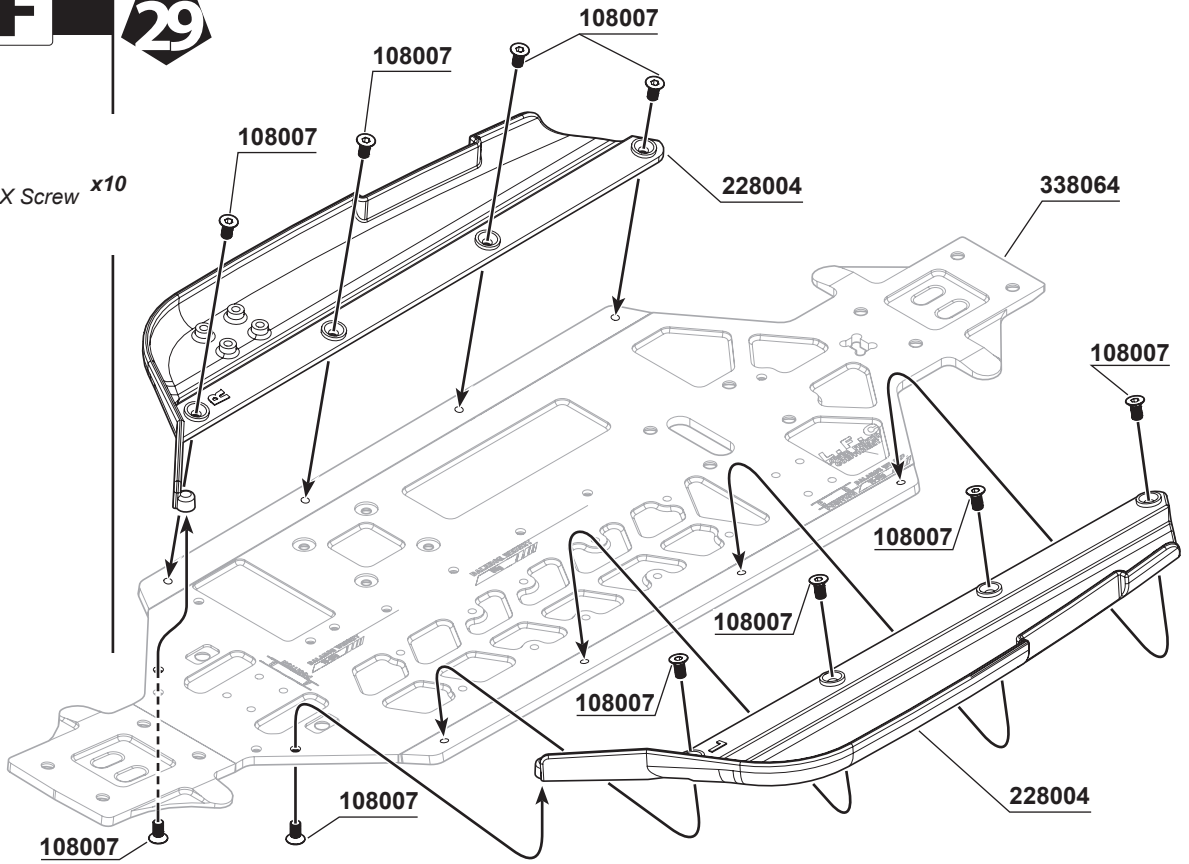


103001
M3 Nut Lock x2





108007
M3x6mm FH/ST HEX Screw x10



106002
M3x10mm Hex Soket OH/TP Screw x1



106008
M3x12mm Hex Soket OH/TP Screw x2



108003
M3x10mm FH/ST HEX Screw x2



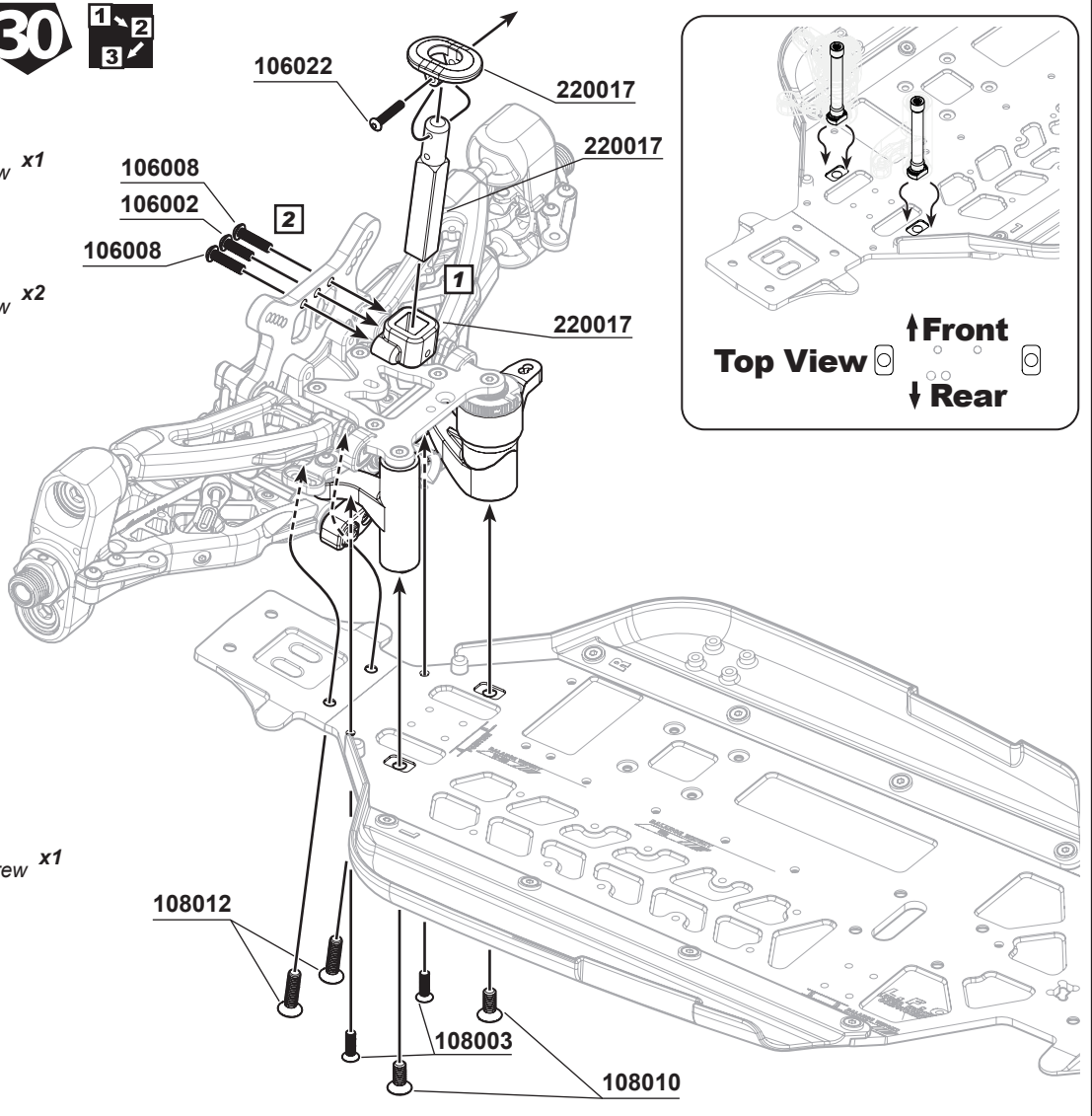
108010
M4x10mm FH/ST HEX Screw x2



108012
M4x16mm FH/ST HEX Screw x2



106022
M2.5x14mm Hex Soket OH/TP Screw x1





106022
M2.5x14mm Hex Soket OH/TP Screw x2



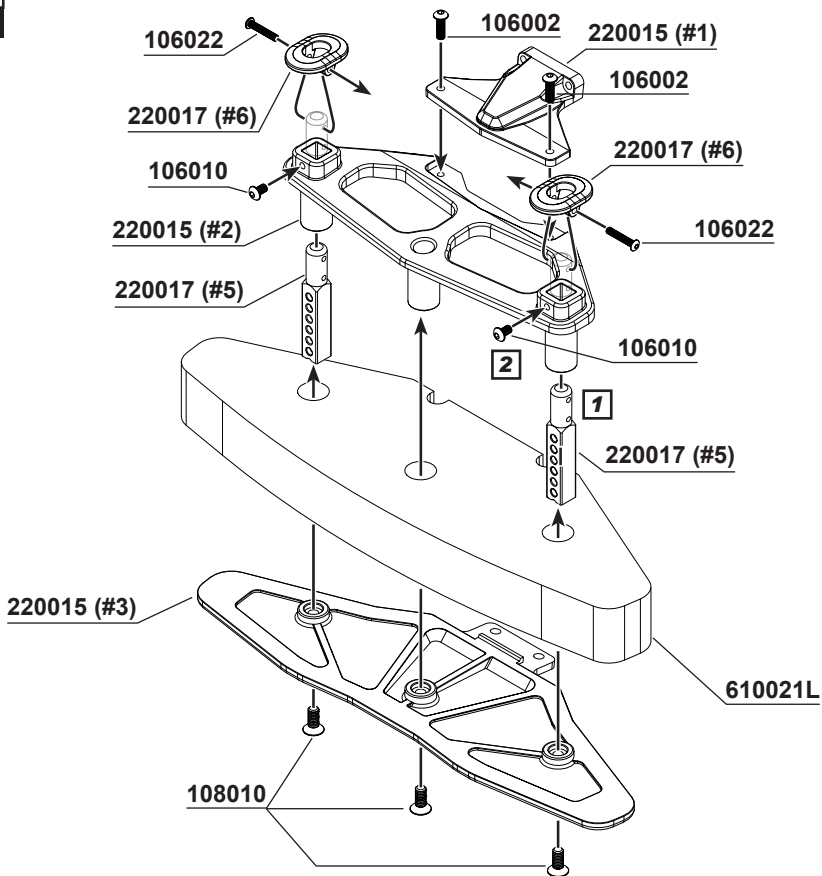
106010
M3x6mm Hex Soket OH/TP Screw x2



106002
M3x10mm Hex Soket OH/TP Screw x2



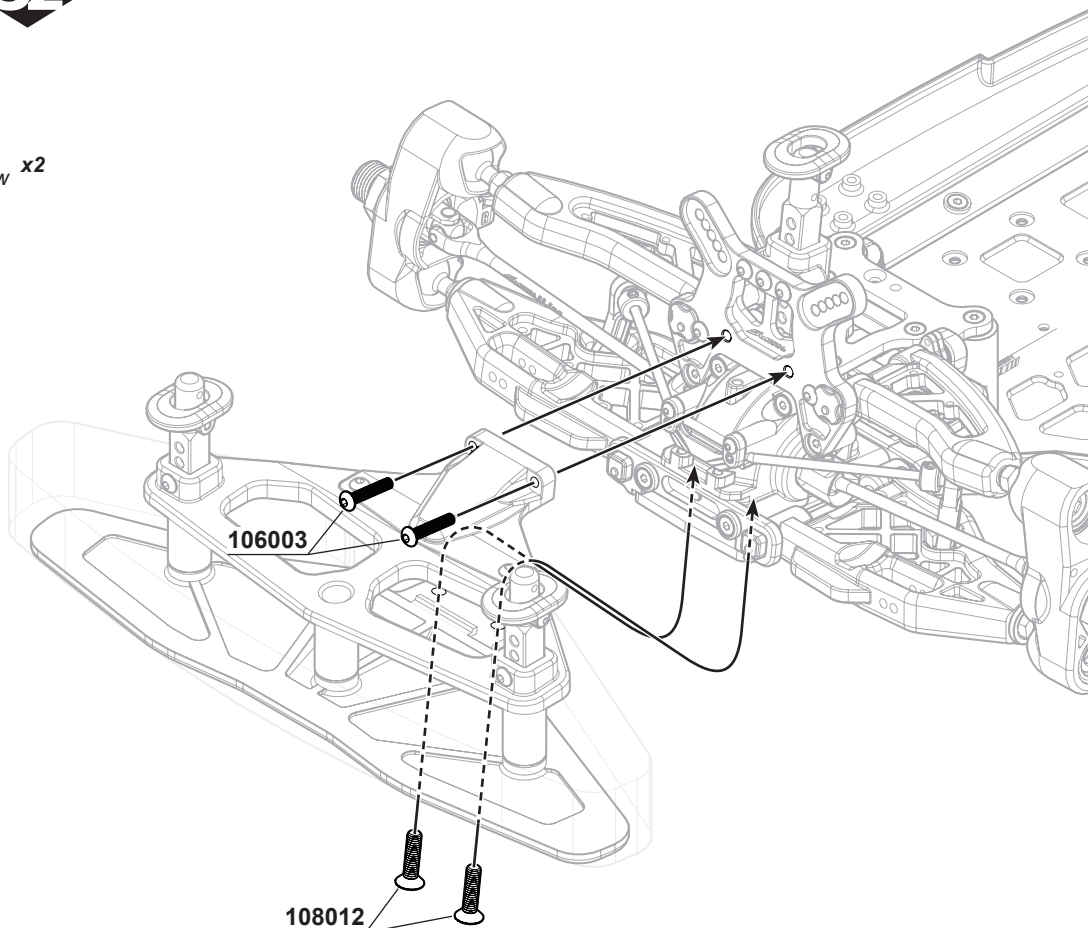
108010
M4x10mm FH/ST HEX Screw x3



106003
M3x16mm Hex Soket OH/TP Screw x2



108012
M4x16mm FH/ST HEX Screw x2

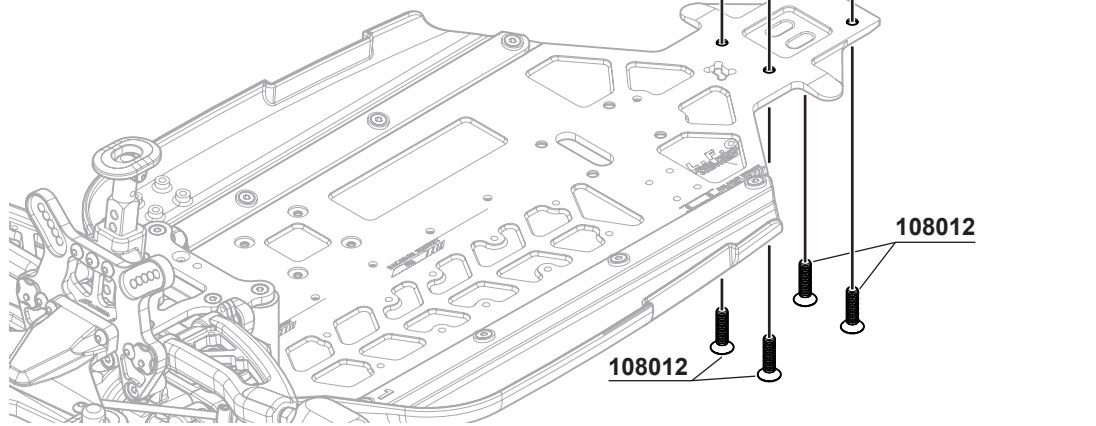
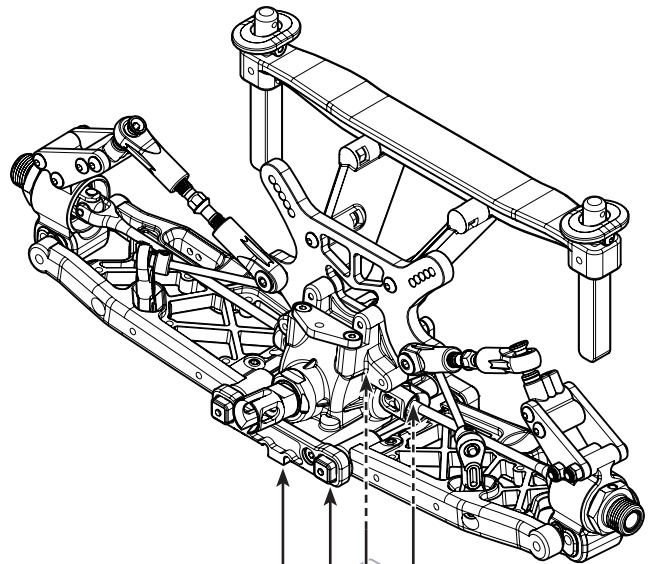
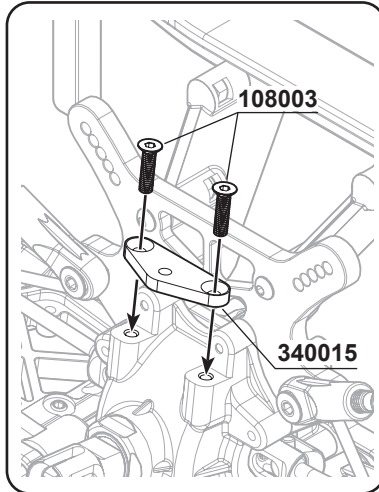




108012
M4x16mm FH/ST HEX Screw x4



108003
M3x10mm FH/ST HEX Screw x2



34



106002
M3x10mm Hex Socket OH/TP Screw x2



106008
M3x12mm Hex Socket OH/TP Screw x2



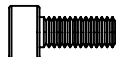
106006
M3x20mm Hex Socket OH/TP Screw x2



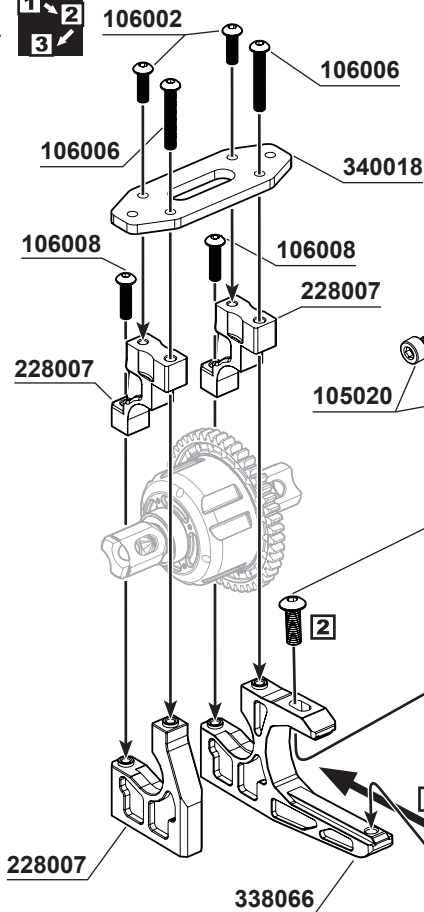
104011
M4x4mm Set Screw (Flat Bottom) x1



106024
M4x12mm Hex Socket OH/ST Screw x2

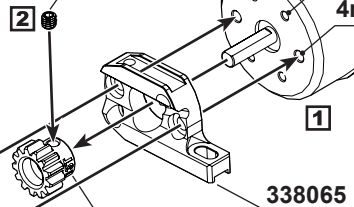


105020
M4x10mm Cap Screw x2



750 BL Motor is not included

104011 3mm hole 4mm hole



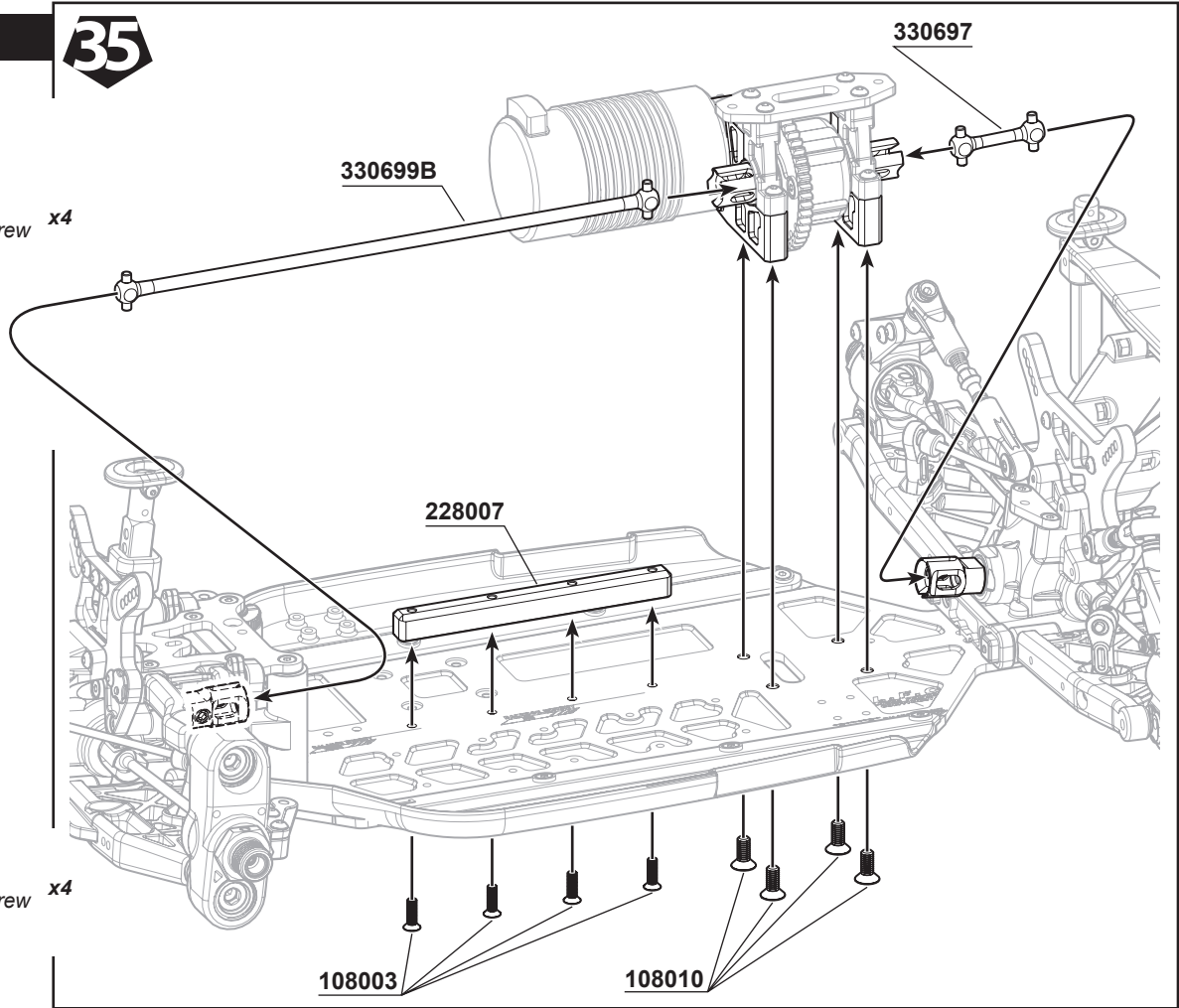
PRO TIP:
Not only use 105020 (M4x10mm Cap Screw) but there is also included 105012(M3x10mm Cap Screw) for lock on your BL motor.



108003
M3x10mm FH/ST HEX Screw x4



108010
M4x10mm FH/ST HEX Screw x4



36



106001
M3x10mm Hex Socket OH/TP Screw x1



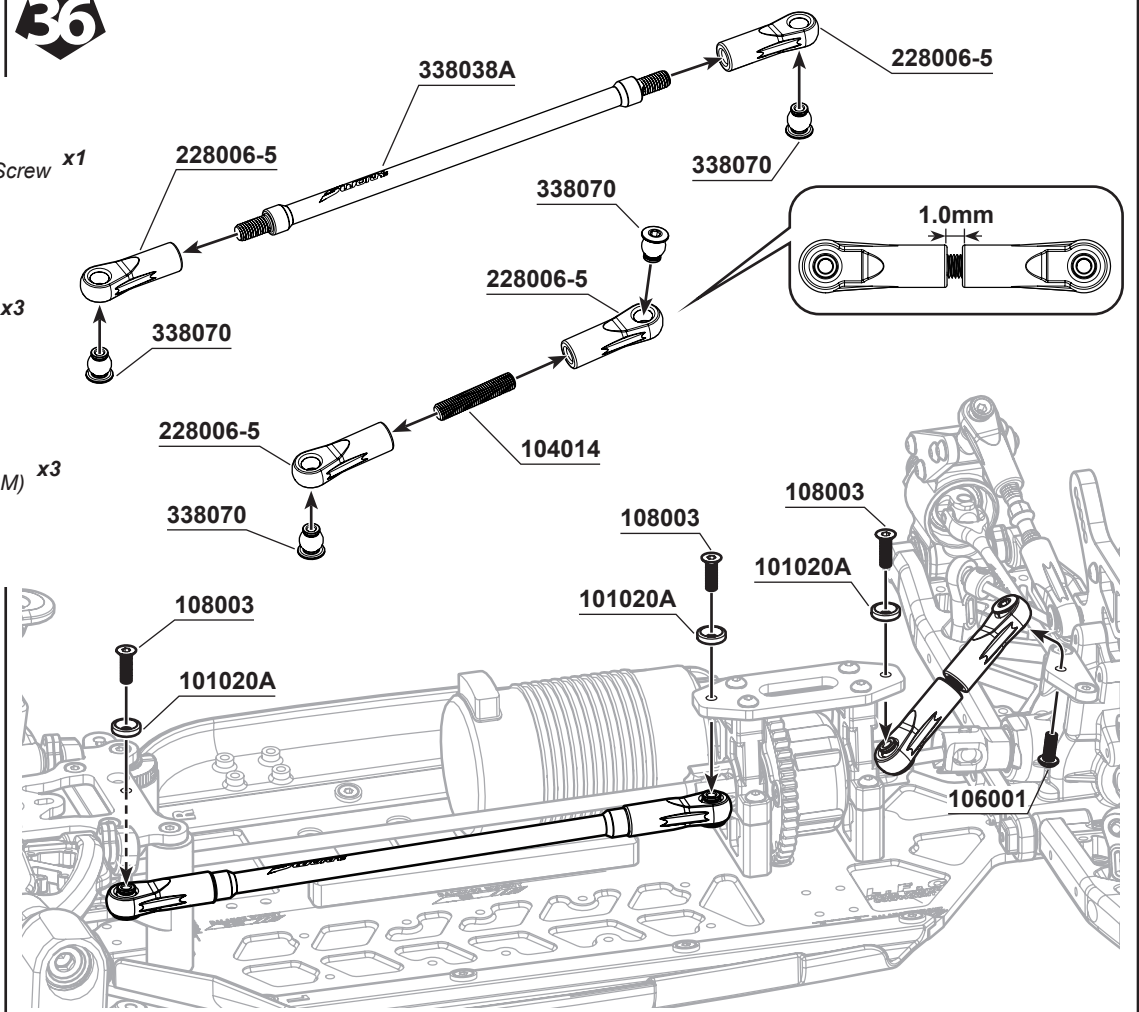
108003
M3x10mm FH/ST HEX Screw x3



101020A
3mm Countersunk Washers (GM) x3



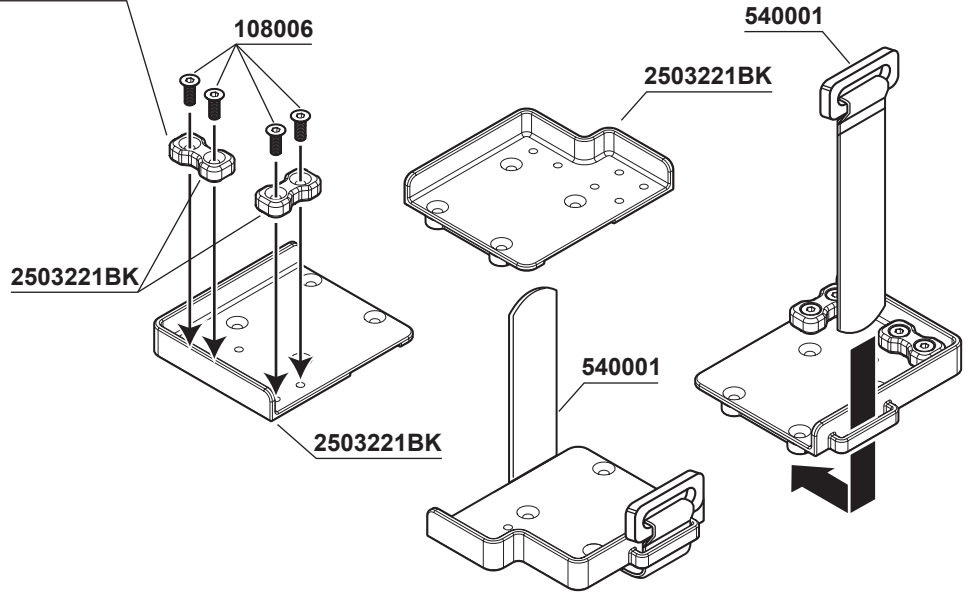
104014
M5x25mm set screw x1



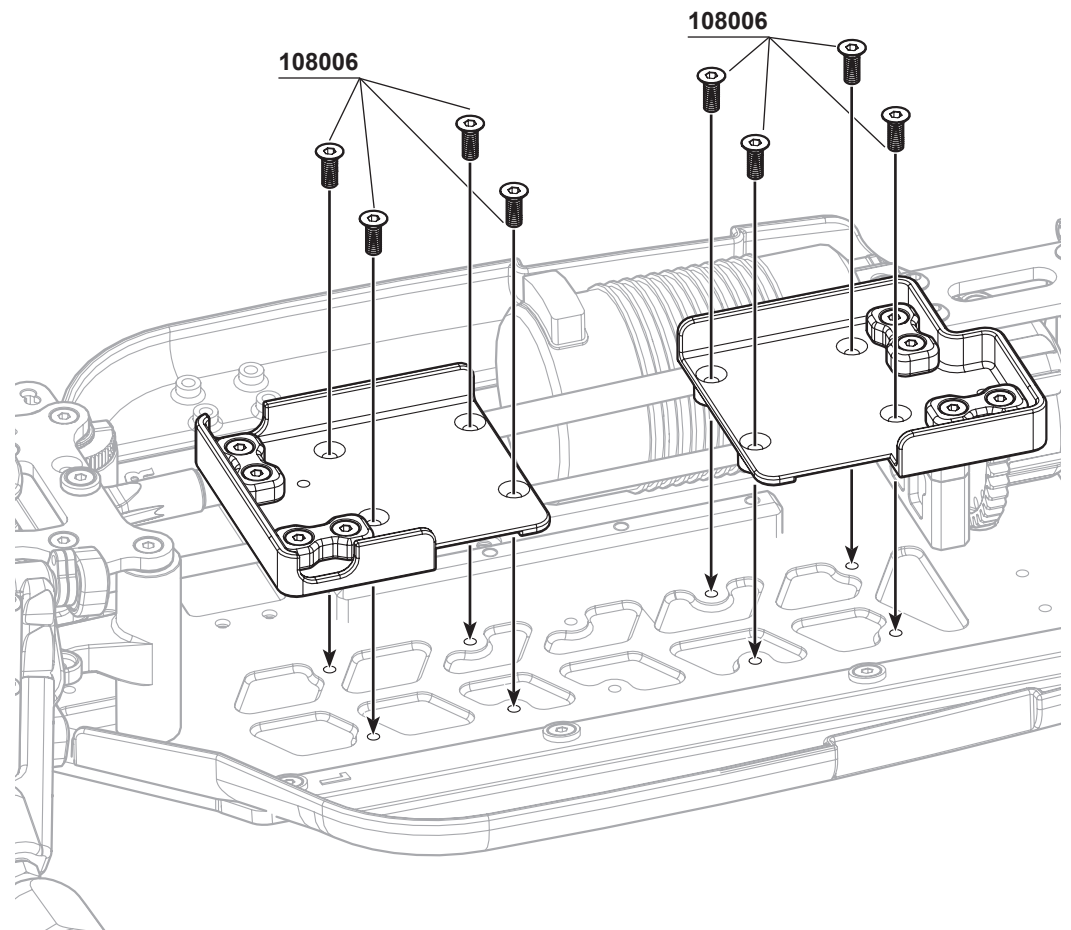


108006
M3x8mm FH/ST HEX Screw x8

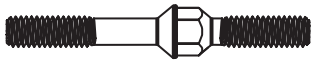
The 2503221BK
Battery Stoper must
be suit for different
Lipo Battery style.



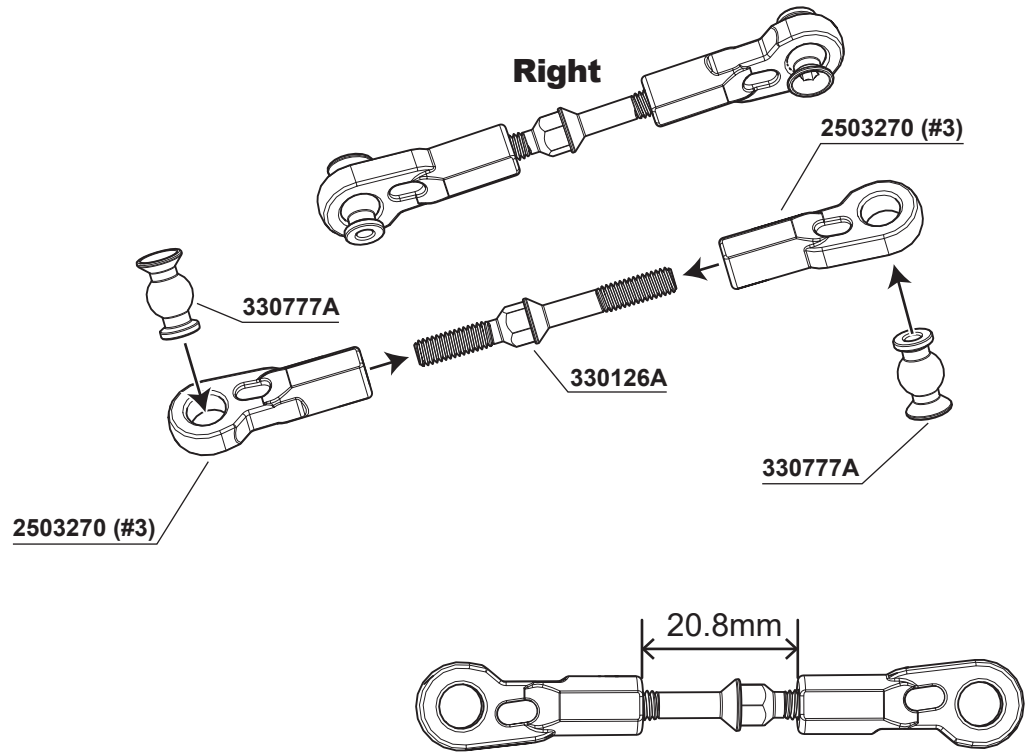
108006
M3x8mm FH/ST HEX Screw x8



39  **x2**



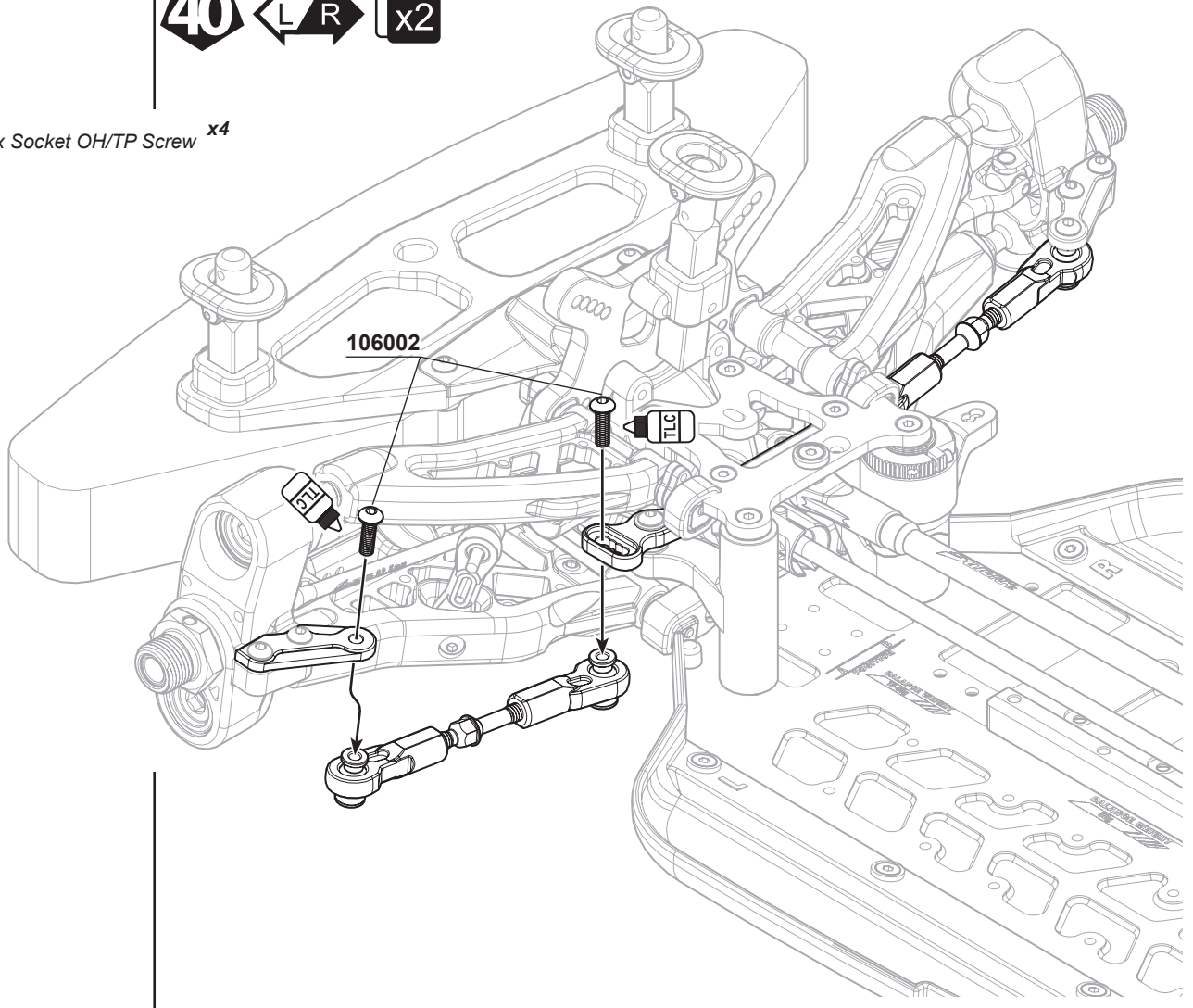
330126A
Steering Turnbuckle **x2**



40  **x2**

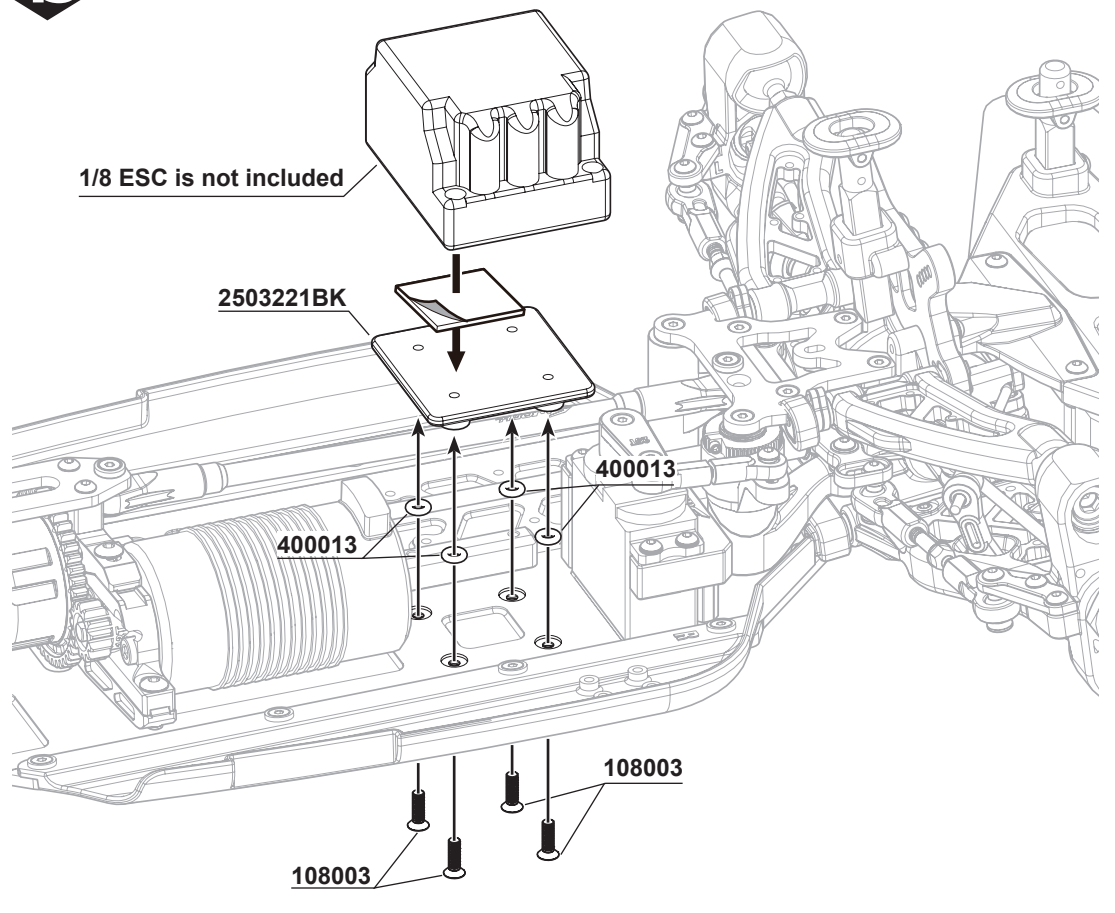


106002
M3x10mm Hex Socket OH/TP Screw **x4**





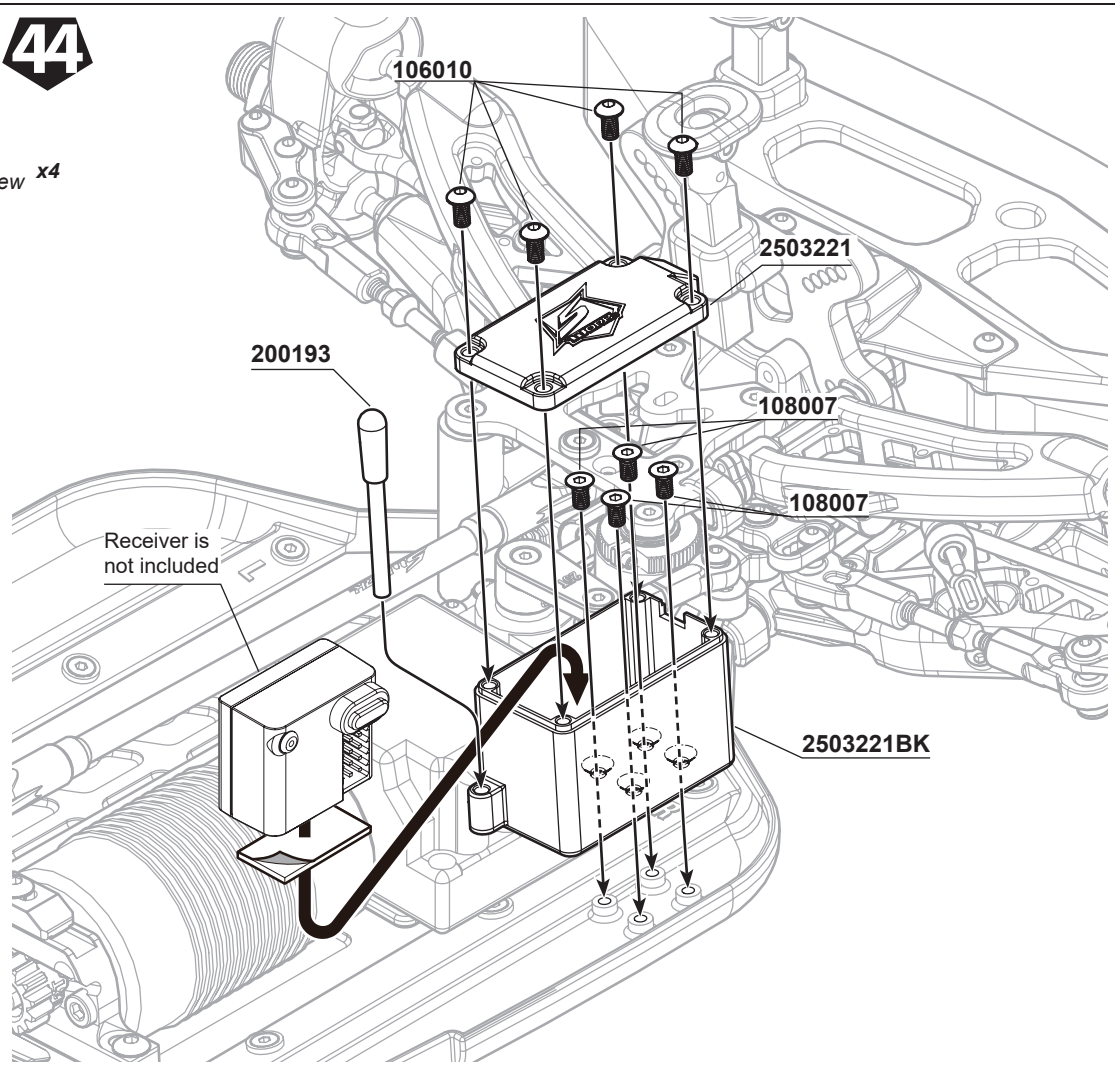
108003
M3x10mm FH/ST x4



106010
M3x6mm Hex Socket OH/TP Screw x4



108007
M3x6mm FH/ST HEX Screw x4



338099 x4
 S35GT/GT2 Series Teflon Coated Durable Shock Shaft (45.5mm)

103004 x4
 M2.5mm Nut Lock

210058 x4
 Shock Seal Washer 3.5X7X1.0mm

210058 x8
 Shock Seal Washer 3.6X7X2.5mm

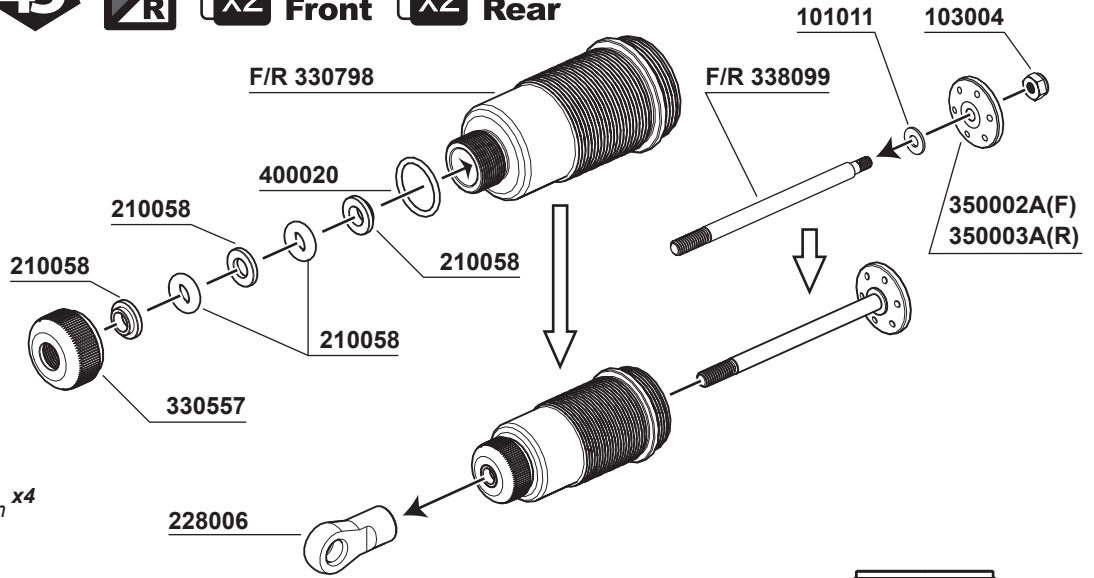
101011 x4
 M2.6x6xT0.6mm

210058 x8
 Shock Seal O-Ring

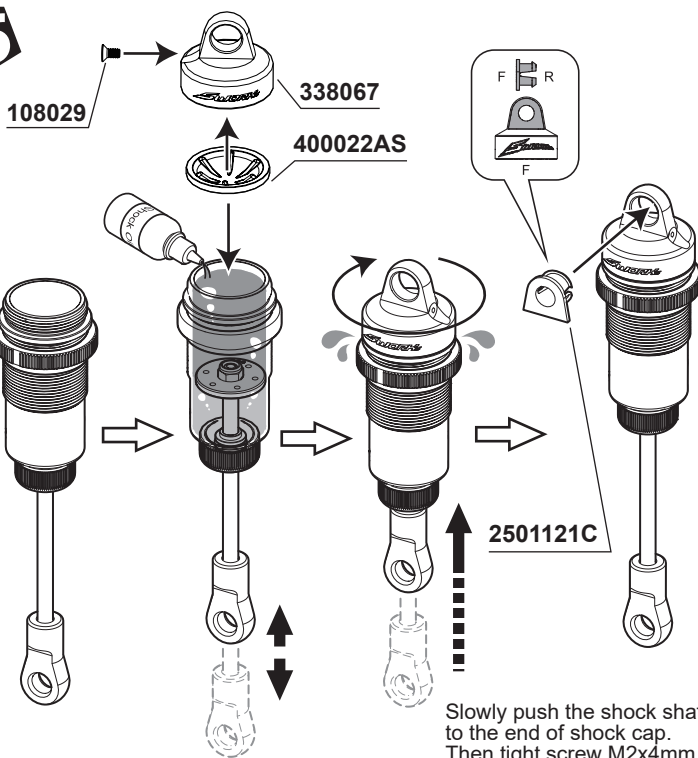
400020 x4
 Shock Seal O-Ring

400019 x4
 Shock Spring Adjust Nut O-Ring

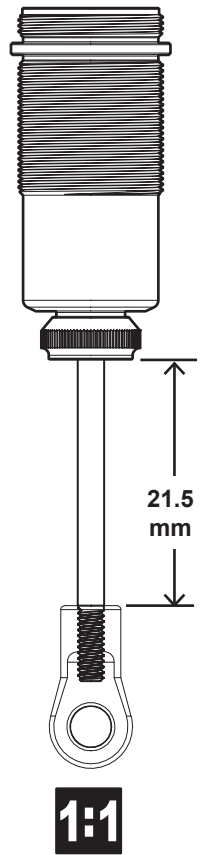
108029 x4
 M2.0x4.6mm FH/ST HEX Screw (1.5mm HexHead)



46



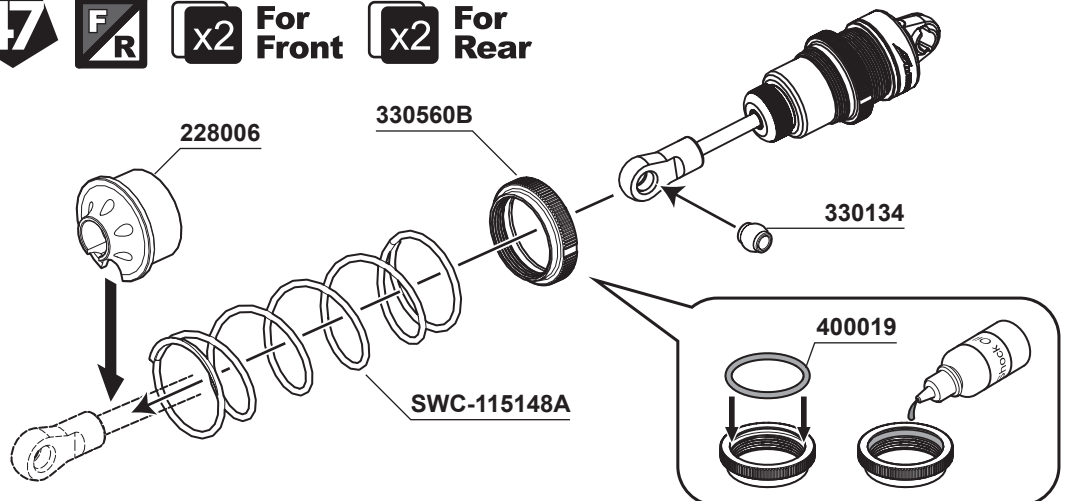
Slowly push the shock shaft to the end of shock cap. Then tight screw M2x4mm



1:1

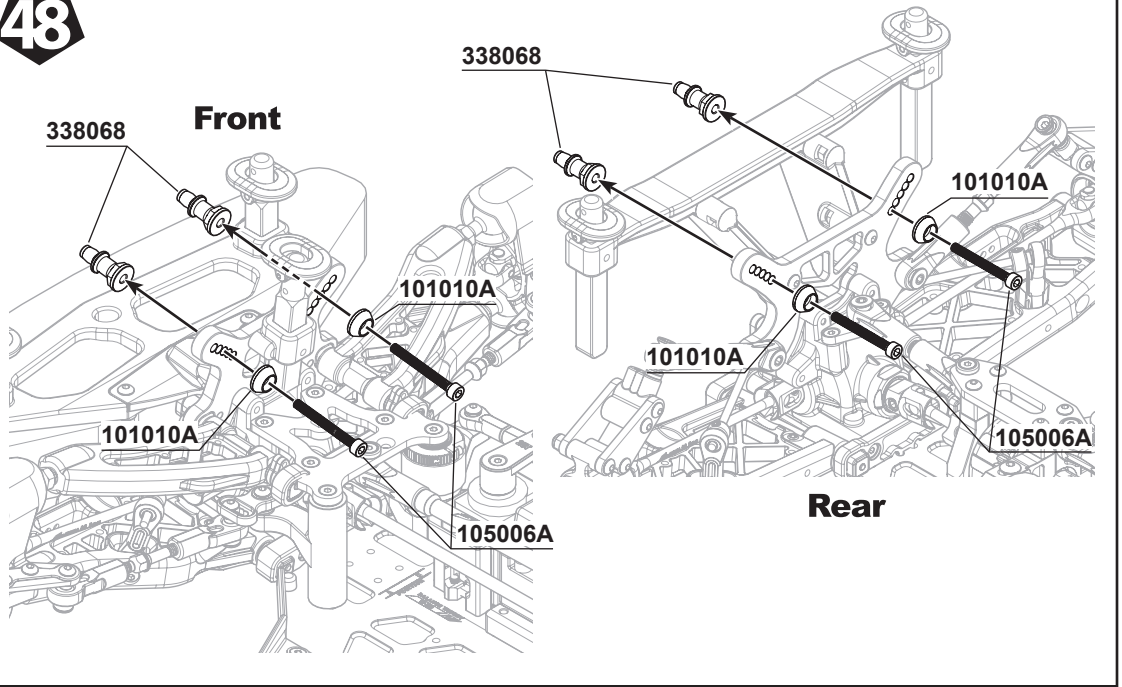
47

115148A x4
 S35GT/GT2 Black Competition Shock Spring (A2-Dot)(40x2.2x5.25)

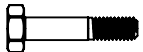
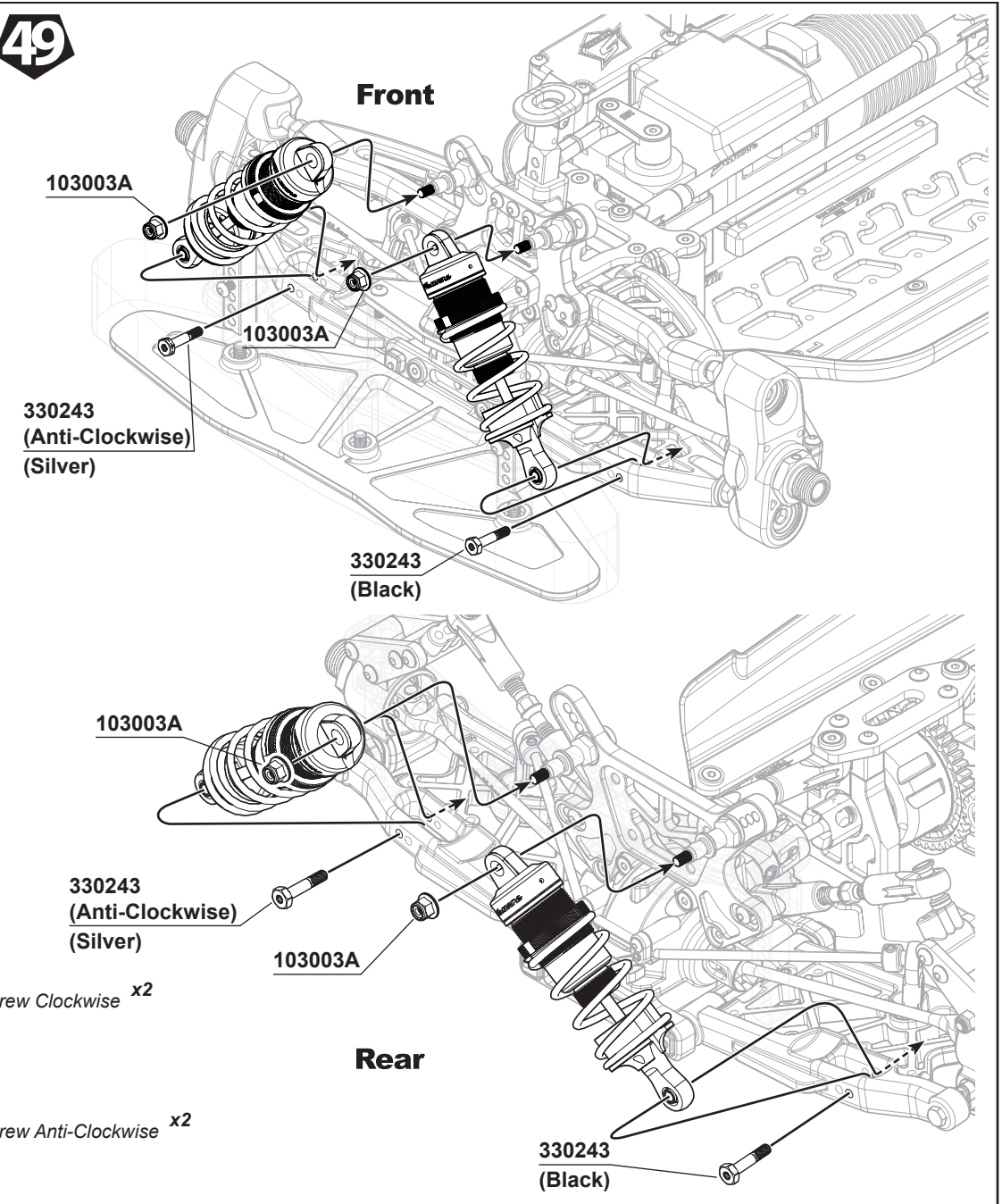




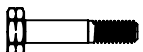
105006A
M3x28mm Cap Screw x2



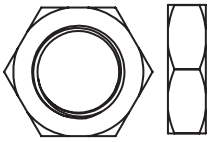
103003
Flange M3 Nut Lock x4



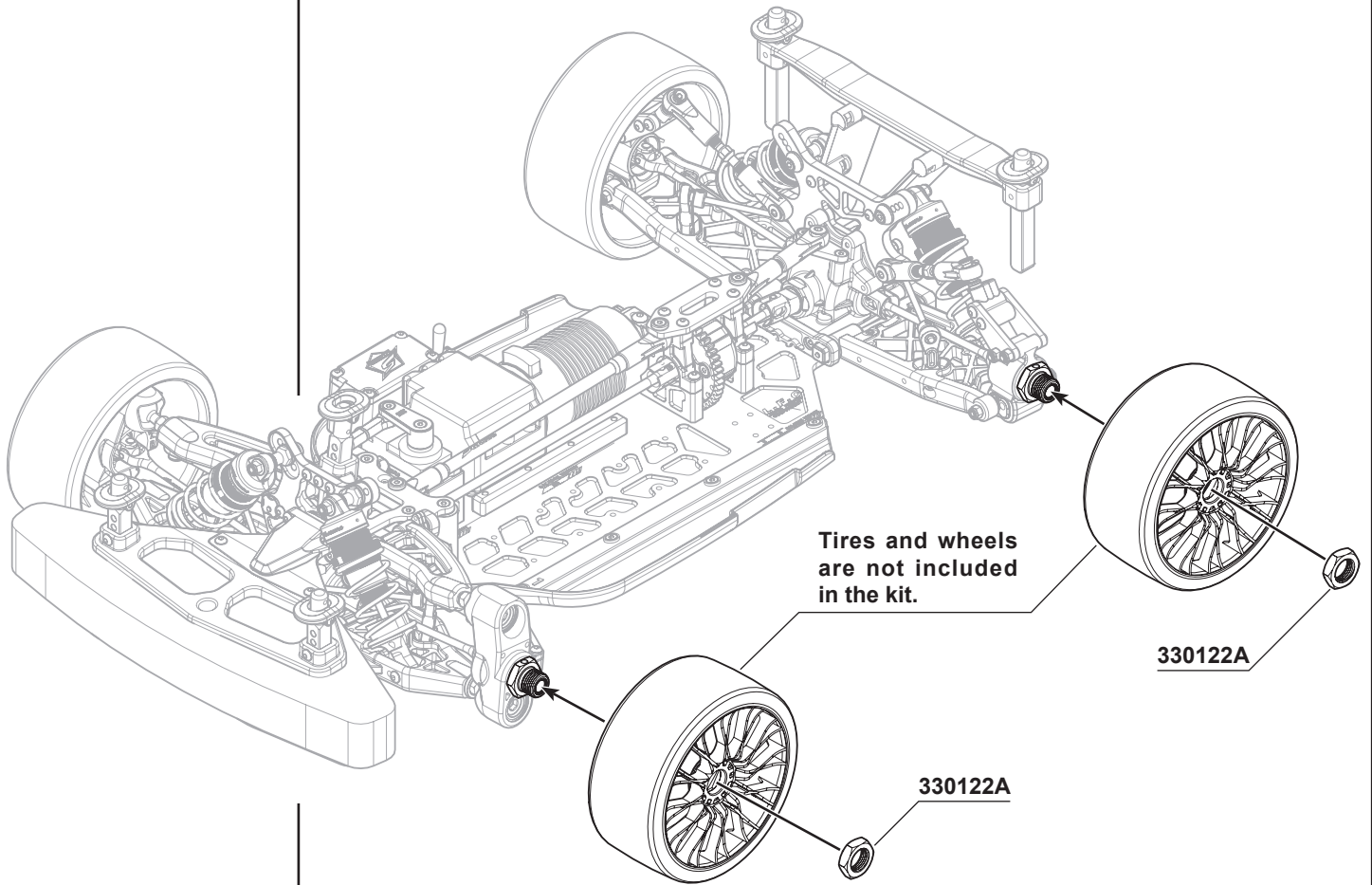
330243
SWORKz 3x16mm Shock Hex Screw Clockwise x2



330243
SWORKz 3x16mm Shock Hex Screw Anti-Clockwise x2

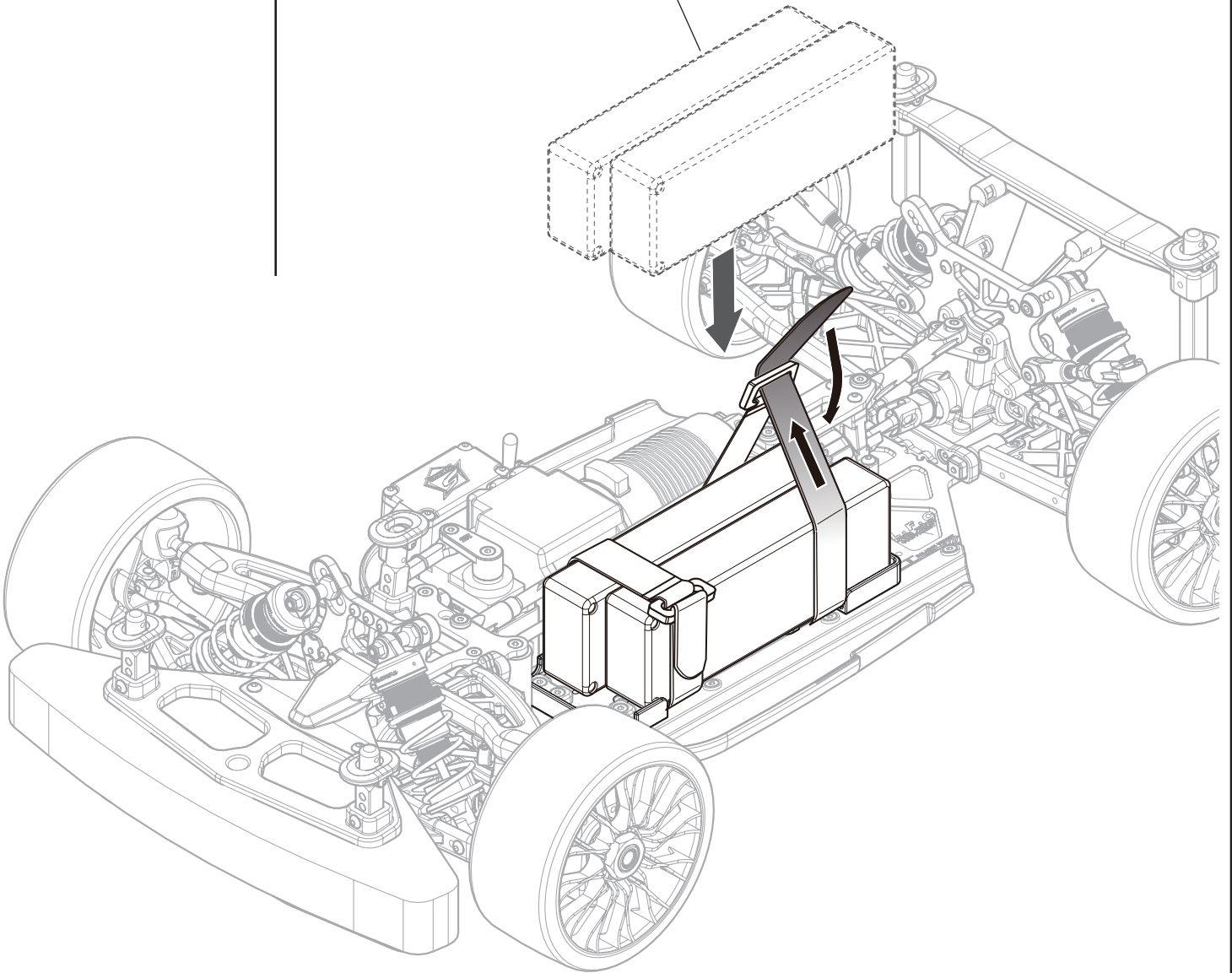


330122A
Wheel Nut **x4**



51

Lipo Batteries
are not included



Race time / Lap: _____

Best lap: _____

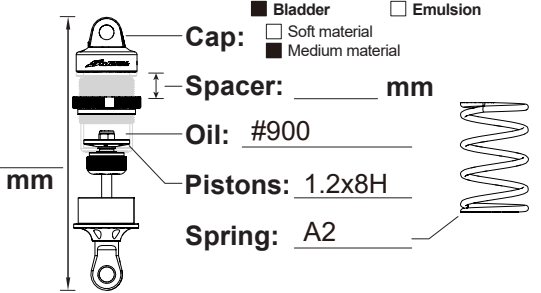
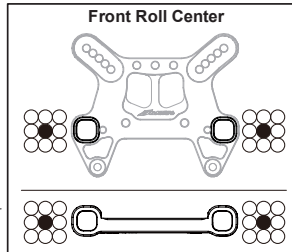
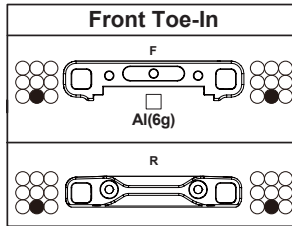
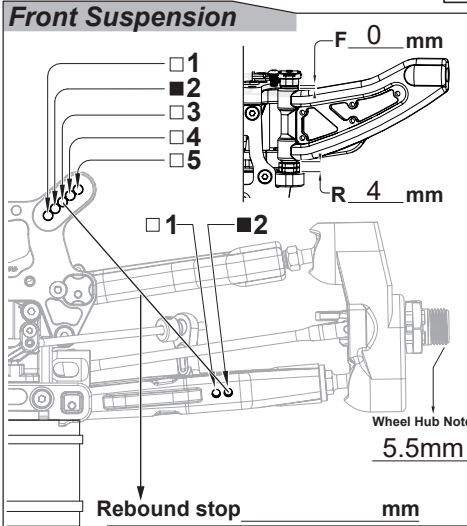
Name: Jörn Neumann
 Date: 18.01.2020
 Track: Homestead

Diff. Oil
 Front: 2 Million
 Center: 1 Million
 Rear: 50000

Track Conditions
 Size: Open Med. Tight
 Traction: High Med. Low
 Surface: Smooth Med. Bumpy

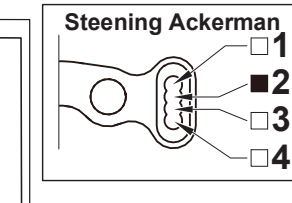
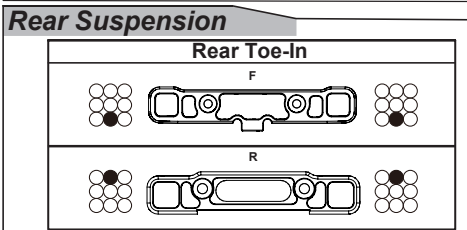
Tire
 Front Type: Matrix Rear Type: Matrix
 Foam: _____ Foam: _____

Electric System
 ESC Type: Team Orion Motor Gear/Spur Gear: 20/47
 Motor Type: Team Orion 2500kv Battery Type A: Standard Pack 8200 mah
 B: Shorty Pack X

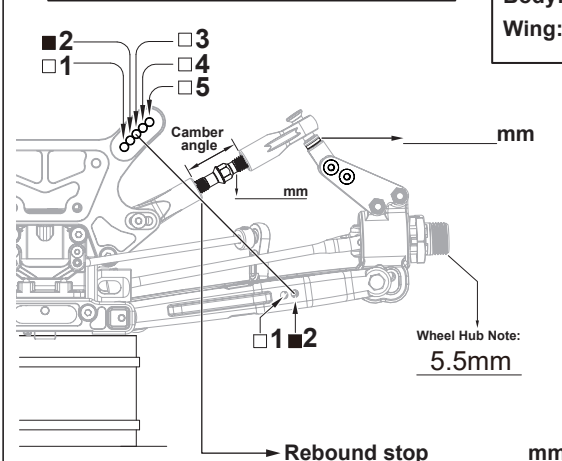


Track width _____ mm
 Camber angle Upper _____ mm
 Lower _____ mm
 Toe angle _____ °
 Sway bar Use 2.3 mm None

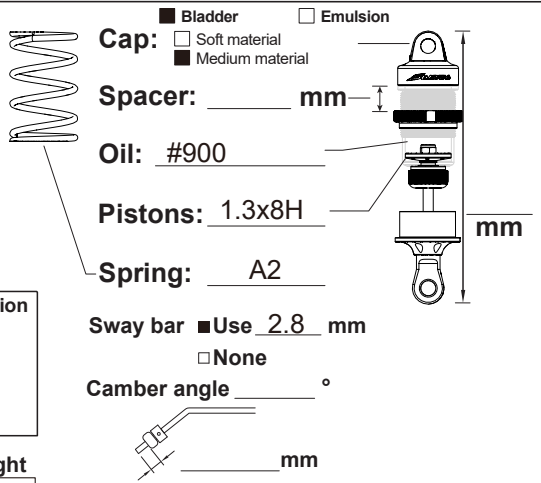
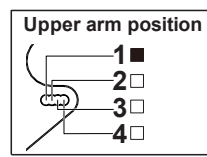
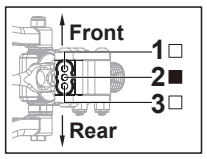
Camber Angle
 L: 3 °
 R: 3 °



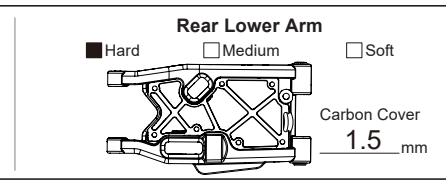
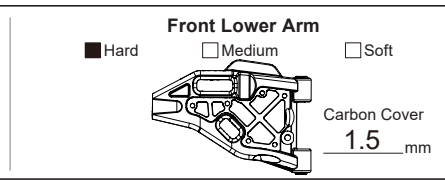
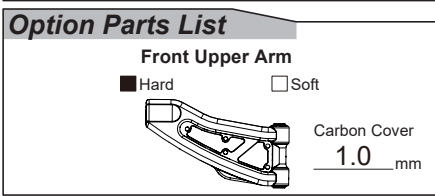
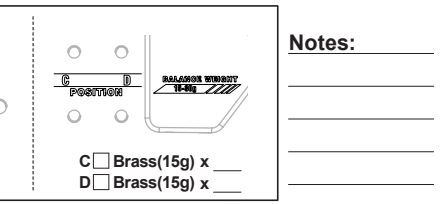
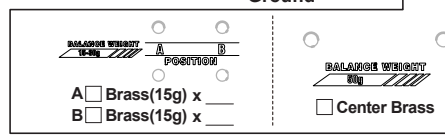
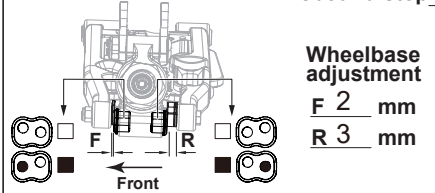
0 mm
 Front Ride Height Chassis 8 mm
 Ground



Body: Proto form
 Wing: _____



Rear Ride Height
 Chassis 9 mm
 Ground



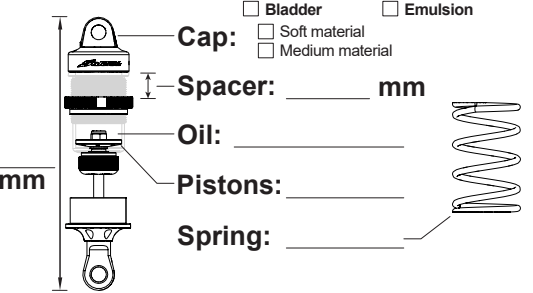
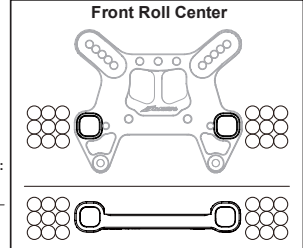
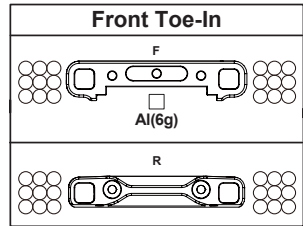
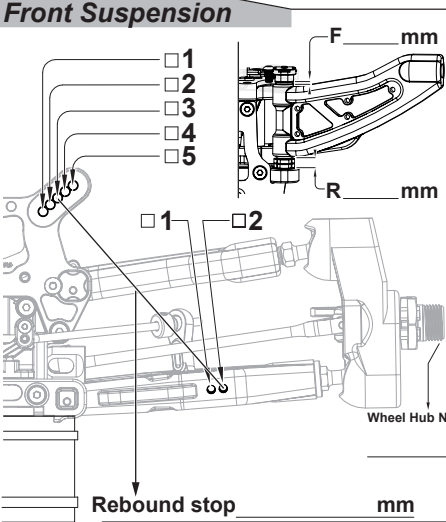
Name: _____
Date: _____
Track: _____

Diff. Oil
Front: _____
Center: _____
Rear: _____

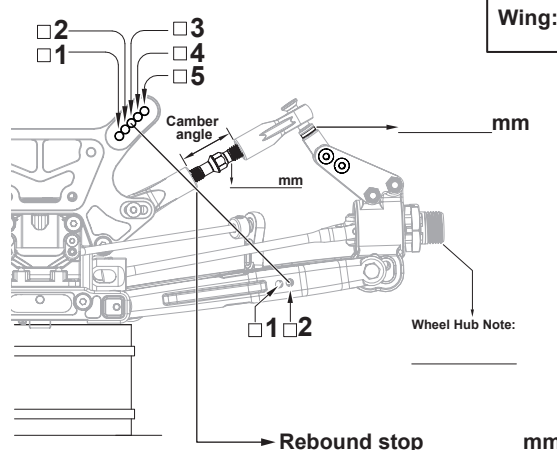
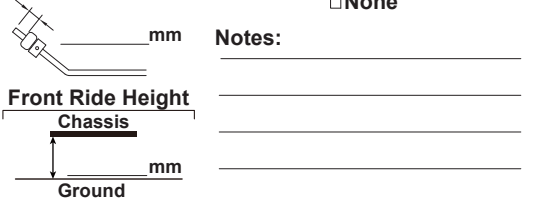
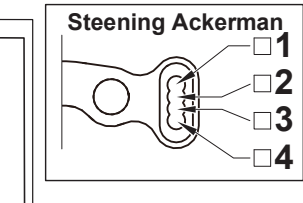
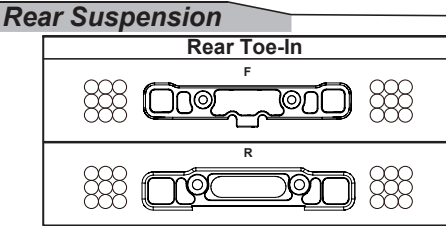
Track Conditions
Size: Open Med. Tight
Traction: High Med. Low
Surface: Smooth Med. Bumpy

Tire
Front Type: _____
Front Foam: _____
Rear Type: _____
Rear Foam: _____

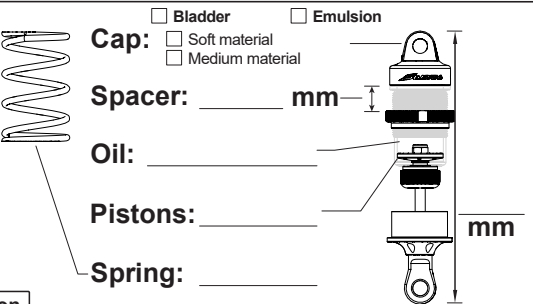
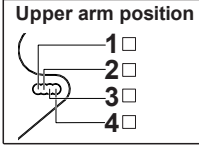
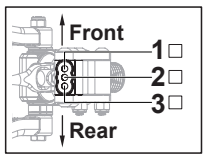
Electric System
ESC Type: _____
Motor Type: _____
Motor Gear/Spur Gear: _____
Battery Type: A: Standard Pack _____
B: Shorty Pack _____



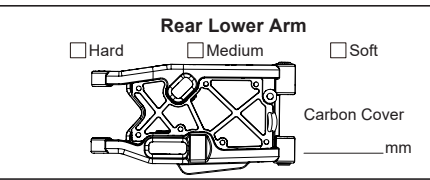
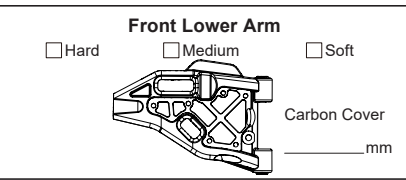
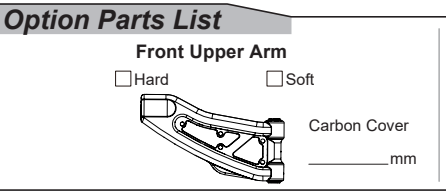
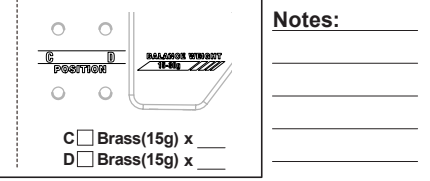
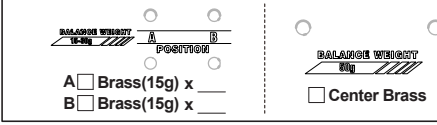
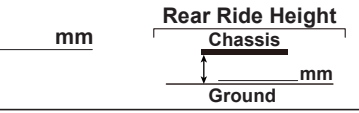
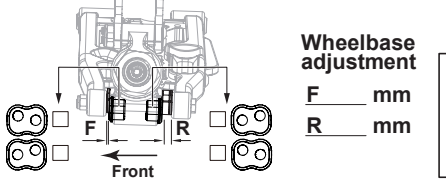
Track width _____ mm
Camber angle Upper _____ mm
Lower _____ mm
Toe angle _____ °
Sway bar Use _____ mm
 None



Body: _____
Wing: _____



Spring: _____
Sway bar Use _____ mm
 None
Camber angle _____ °



Race time / Lap: _____

Best lap: _____

Name: _____
 Date: _____
 Track: _____

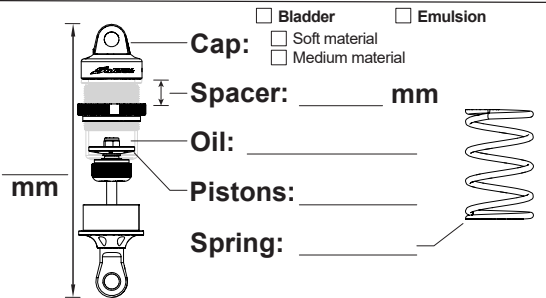
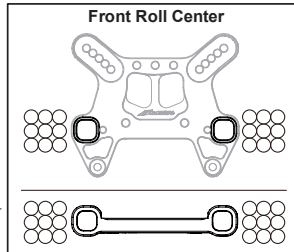
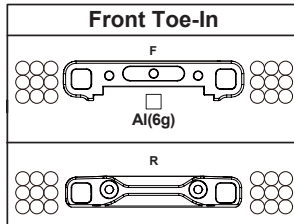
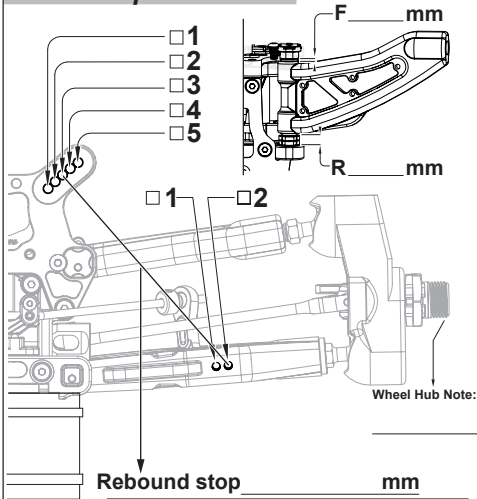
Diff. Oil
 Front: _____
 Center: _____
 Rear: _____

Track Conditions
 Size: Open Med. Tight
 Traction: High Med. Low
 Surface: Smooth Med. Bumpy

Tire
 Front Type: _____
 Front Foam: _____
 Rear Type: _____
 Rear Foam: _____

Electric System
 ESC Type: _____
 Motor Type: _____
 Motor Gear/Spur Gear: _____
 Battery Type: _____
 A: Standard Pack _____
 B: Shorty Pack _____

Front Suspension



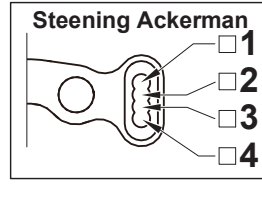
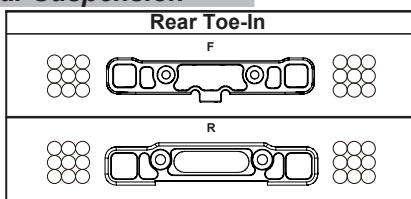
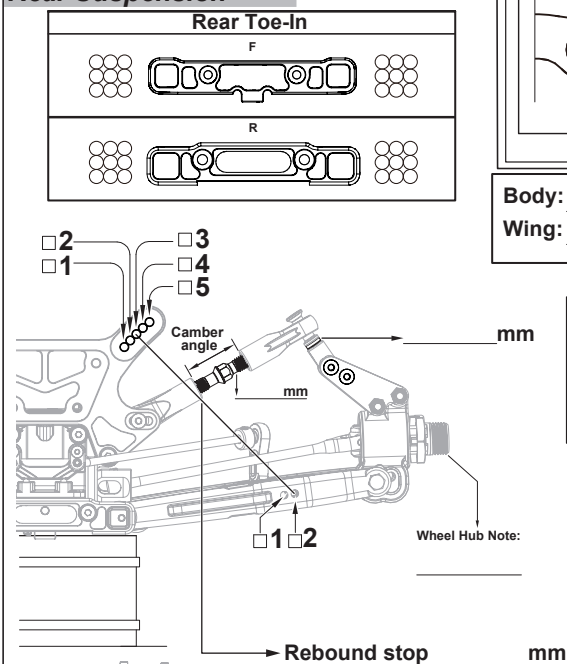
Track width _____ mm
 Camber angle Upper _____ mm
 Lower _____ mm
 Toe angle _____ °
 Sway bar Use _____ mm
 None

Camber Angle
 L: _____ °
 R: _____ °

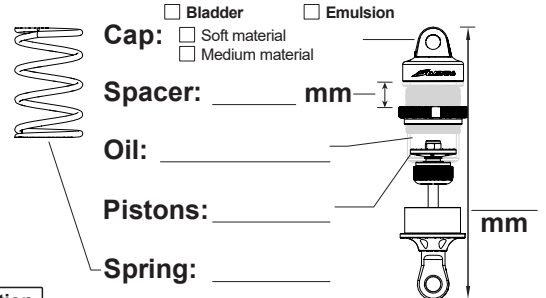
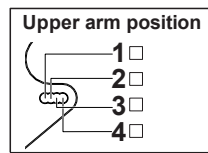
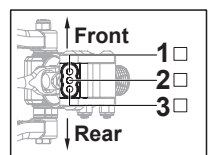
Front Ride Height
 Chassis _____ mm
 Ground _____ mm

Notes: _____

Rear Suspension



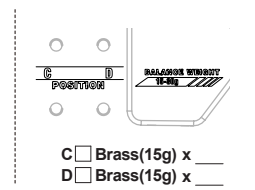
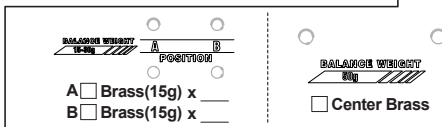
Body: _____
 Wing: _____



Spring: _____
 Sway bar Use _____ mm
 None
 Camber angle _____ °

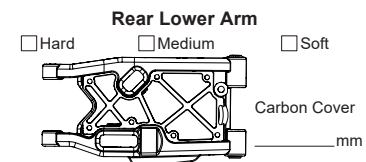
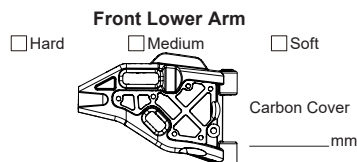
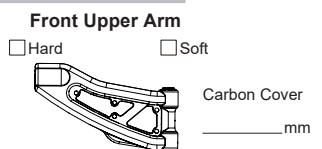
Rear Ride Height
 Chassis _____ mm
 Ground _____ mm

Wheelbase adjustment
 F _____ mm
 R _____ mm



Notes: _____

Option Parts List



Parts No. List

Part No.	Part Name	Q'ty in Use	Item No.	Part No.	Part Name	Q'ty in Use	Item No.
210091	S35-3W Plastic Front/Rear Big Bore Diff Case	2	SW-210091	338059	S35-4 Series T7 Aluminum Front Lower Arm Holder (FR)	1	SW-338059
210079A	S35-4 Plastic Center Big Bore HET Diff Case	1	SW-210079A	338064	S35-4 E-Buggy Series T7 Aluminum Lightened Main Chassis	1	SW-338064
2501121C	S35/S350 Series Ball End Set with Shock Plastic Parts	2	SW-2501121C	338065	S35-4 E-Buggy Series T7 Aluminum Motor Mount	1	SW-338065
2501122B	S35/S350 Series Setting Bellcrank Set 2.0 Set (with Servo Horn)	1	SW-2501122B	338066	S35-4 E-Buggy Series T7 Aluminum Center Diff Mount (CF)	1	SW-338066
2503221BK	S35-2E/3E Series Black Plastic Radio Box/Battery Case	1	SW-2503221BK	338067	S35-4 Series Emulsion/Bladder 2 Ways Syatem Shock Cap	4	SW-338067
2503260-01	S35-3 Series Plastic Wheel Hub Inserts Set	1	SW-2503260-01	338068	S35-4 Series T7 Aluminum Shock Stud (L)	4	SW-338068
2503260-02	S35-3 Series Plastic Arm Inserts Set	1	SW-2503260-02	338070	S35 Series Rear Upper Sus. Arm Ball Stud	6	SW-338070
2503260-04	S35-3 Series Plastic Knuckle Inserts Set	1	SW-2503260-04	338080	S35 Series Lightened Wheel Hub for 8mm Axil (L5.5mm)	4	SW-338080
2503261A	S35-3/GT Series Gear Box Set (Fit 5x13x4mm Ball Bearing)	2	SW-2503261A	338081	S35-GT2/E T7075 Aluminum Front Shock Tower	1	SW-338081
2503264A	S35-3 Series Front Steering Knuckle (Type 2.0) L	1	SW-2503264A	338082	S35-GT2/E T7 Aluminum Rear Front Lower Suspension Plate (RF)	1	SW-338082
2503270-2	S35-3 Series Rear Upper Arm Outside Ball Ends	4	SW-2503270-2	338083	S35-GT2/E T7075 Aluminum Rear Shock Tower	1	SW-338083
2503270-3	S35-3 Series Front Steering Ball Ends	2	SW-2503270-3	338099	S35GT/GT2 Series Teflon Coated Durable Shock Shaft (45.5mm)	4	SW-338099
220015	SWORKz 1/8 S35GT/E Bumper Set	1	SW-220015	340015	S35-3E/S35-2E/Apollo Series Carbon Fiber Rear Brace Mount	1	SW-340015
220016	SWORKz 1/8 S35GT/E Wing Mount Set	1	SW-220016	340017	S35-4 Series Pro-composite Carbon Steering Bellcrank Plate	1	SW-340017
220017	SWORKz 1/8 S35GT/E Plastic Body Post and Mount Set	1	SW-220017	340018	S35-4E Series Pro-composite Carbon Center Diff. Plate	1	SW-340018
228001	S35-4 Series Plastic Inserts Set	2	SW-228001	340026	S35-GT2/E Pro-composite Carbon Rear Wheel Hub Adjust Plate (R=L)	4	SW-340026
228002-1	S35-4 Series Plastic Rear Wheel Hub (R=L)	2	SW-228002-1	340027-10	S35-GT2/E Pro-composite Carbon Front Upper Arm Cover (1mm)	2	SW-340027-10
228004	S35-4 Series Plastic Side Guard Set	1	SW-228004	400002	O-ring S5 4.8X1.5	6	SW-400002
228005H-F	S35-4 Series Front Lower Arm in Hard Material	2	SW-228005H-F	400005	Shock Spring Adjust Nut O-Ring	4	SW-400005
228005H-R	S35-4 Series Rear Lower Arm in Hard Material	2	SW-228005H-R	400006	shock seal O-Ring	8	SW-210058
228006	S35 Series Shock End/Body Mount/Ball Ends Set	2	SW-228006	400013	S104 Shock Seal O-ring 2x2.7mm	4	SW-400013
228006-5	S35 Series Rear Upper Arm Linkage Ball End (S)	4	SW-228006-5	400019	S350 New BBS System Shock Spring Adjust Nut O-Ring	4	SW-400019
228007	S35-4E Buggy Series Steering Servo Mount/Center Diff Mount Plastic Parts	1	SW-228007	400020	S350 New BBS System Shock Seal O-Ring	4	SW-400020
228009	S35-GT2 Front/Rear Upper Arm Linkage Parts 2	2	SW-228009	400022A-S	S35 Series BBS System Pro Shock Bladder (Soft)	4	SW-40022A-S
210058	S350 New BBS System Shock Seal Washer 3.6X7X2.5mm	8	SW-210058	400023	S35 Series BBS System Seal O-Ring for Emulsion Shock Cap	4	SW-400023
210058	S350 New BBS System Shock Seal Washer 3.5X7X1.0mm	4	SW-210058	420010	Antenna Cup	1	SW-420010
210046	S350 Series LDS Universal Cross Drive Shaft Set 92.5mm (1pc)	4	SW-210046	510091	SWORKz Original Logo Sticker	1	SW-510091
200193	Antenna Tube	1	SW-200193	610019	S35-3 Series Servo Saver Spring Dusty Protect Sponge	1	SW-610019
328001	S35-3W Diff. Bevel Gear 20T	6	SW-328001	610020	S35-3 Series Center Big Bore Plastic Diff. Case Gasket	1	SW-610020
328001	S35-3W Diff. Bevel Gear 10T	12	SW-328001	610021L	S35-3GT FOAM BUMPER	1	SW-610021L
330015	Pin M2.2x9.9mm	6	SW-330015	610023	S35-3W Diff. Gasket (0.4T)	2	SW-610023
330114A	S350 Sseries Servo Saver Post (HC)	1	SW-330114A	115004A	Servo Saver Spring	1	SW-115004A
330117A	S350 Series Knuckle Pivot Ball Washer (GM)	2	SW-330117A	115005	Rear Sway Bar 2.8mm	1	SW-115005
330118A	S350 Series Knuckle Pivot Ball Nut(GM)	4	SW-330118A	115006	Rear Sway Bar 2.6mm	1	SW-115006
330119	Front Upper Arm HingPin	2	SW-330119	115008A	Front Sway Bar 2.3mm	1	SW-115008A
330122A	S350 Wheel Nut (HC)	4	SW-330122A	115019	Body Clip	5	SW-115019
330123A	S350 EVO Rear Upper Sus. Arm Turnbuckles M5x38mm	2	SW-330123A	115035A	Front Sway Bar 2.2mm	1	SW-115035A
330124	Pin M3.0x16.8mm	4	SW-330124	115148A	S35GT/GT2 Black Competition Shock Spring (A2-Dot)(40x2.2x.25)	4	SWC-115148A
330125	Rear Upper Sus. Arm Ball Stud	2	SW-330125	116004R	Ball Bearing 6x10x3mm (Red Rubber Case)	4	SW-116004R
330126A	S350 EVO Steering Turnbuckle M4x40mm	2	SW-330126A	116006R	Ball Bearing 8x16x5mm (Red Rubber Case)	14	SW-116006R
330134	Shock Ball Stud	9	SW-330134	116019R	Ball Bearing 5x13x4mm (Red Rubber Case)	4	SW-116019R
330136	Sway Bar Ball Stud	4	SW-330136	117003	Flange Ball Bearing 3x6x2.5mm	4	SW-117003
330243	SWORKz 3x16mm Shock Hex Screw Clockwise	2	SW-330243	101004	Washer 3.5X10X0.2mm	12	SW-101004
330244	SWORKz 3x16mm Shock Hex Screw Anti-Clockwise	2	SW-330243	101010A	M3 Countersunk Washer(GM)	4	SW-101010A
330252	S350 BX1/BR1 Steering Knuckle Pivot Ball Turnbuckle	4	SW-330252	101011	M2.6x6xT0.6mm	4	SW-101011
330557	S350 New BBS System Shock Seal Cap (GM)	4	SW-330557	101012	M3x6xT0.6mm	4	SW-101012
330560B	S35 New BBS System Shock Spring Adjust Nut (BK)	4	SW-330560B	101018	SHIM 13x16x0.2mm	12	SW-101018
330661A	S35-T/S35 Series Competition Center Drive Join (5mm set screw)	2	SW-330661A	101019	SHIM 6.0x10.0x0.2mm	1	SW-101019
350002A	S35 Series BBS System Shock Piston 1.2mmX8 Straight Holes (BK)	2	SW-350002A	101020A	S350 Sries 3mm Countersunk Washers (GM)	5	SW-101020A
350003A	S35 Series BBS System Shock Piston 1.3mmX8 Straight Holes (BK)	2	SW-350003A	101021	M3x8xT0.8mm	2	SW-101021
330694A	S35 E Series 6mm Steel Ball Stud	1	SW-330694A	101026	SWORKz Aluminum Washer 3X6X1.5mm	2	SW-101026
330697	S35-2E Center Rear Drive Shaft (S)	1	SW-330697	101039	Steel Washer 5x12x0.3mm	6	SW-101039
330699B	S35-2E/3E Center Main Drive Shaft (L)	1	SW-330699B	103001	M3 Nut Lock	15	SW-103001
330770	S35-3 Series Aluminum Rear Changeable Lower Arm Holder	1	SW-330770	103003A	Flange M3 Nut Lock (GM)	4	SW-103003A
330777A	S35-4 Series Steering Linkage Ball Stud 7mm (L7)	6	SW-330777A	103004	M2.5mm Nut Lock	4	SW-103004
330782	S35-3 Series Rear Hub Carriers Hinge Pin	2	SW-330782	104004	M3x3mm Set Screw	4	SW-104004
330798	S35GT BBS System Shock Body (F/R)	4	SW-330798	104005	M3x4mm Set Screw	4	SW-104005
330817	SWORKz 1/8 EP Motor Pinion Gear 18T	1	SW-330817	104009	M3x16mm Set Screw	3	SW-104009
338011	S35 series Pinion Gear Stopper (5x7x5.1mm)	2	SW-338011	104010	M5x4mm Set Screw (Flat Bottom)	6	SW-104010
338014	S35-3W T-7075AL Rear Lower Fully Adjustable Toe-In Block (3 degree)	1	SW-338014	104011	M4x4mm Set Screw (Flat Bottom)	1	SW-104011
338023	S35-3W Pinion Gear 13T	2	SW-338023	105006A	M3x28mm Cap Screw full thread	4	SW-105006A
338024	S35-3W Crown Gear 43T	2	SW-338024	105018	M2x6mm Cap Head Screw	1	SW-105018
338025	S35-3W Bevel Gear Shaft	6	SW-338025	105020	M4x10mm Cap Screw	2	SW-105020
338027	S35-3W Front/Rear Diff. Outdrive	4	SW-338027	106001	M3x8mm Hex Soket OH/TP Screw	9	SW-106001
338028	S35-3W Center Diff. Outdrive	2	SW-338028	106002	M3x10mm Hex Soket OH/TP Screw	15	SW-106002
338038A	S35-3E/S35-2E/Apollo Series Roll Bar Brace	1	SW-338038A	106003	M3x16mm Hex Soket OH/TP Screw	4	SW-106003
338039	S35-3/4 Series Center HET Spur Gear (46T)	1	SW-338039	106005	M3x15mm Hex Soket OH/TP Screw	4	SW-106005
338043	S35-3/4 Series Servo Saver Nut with Screw Fixed	1	SW-338043	106006	M3x20mm Hex Soket OH/TP Screw	4	SW-106006
338048	S35-4 Series Servo Saver Shaft	2	SW-338048	106007	M3x12mm Hex Soket OH/TP Screw(HT)	2	SW-106007
338051	S35-4 Series T7 Aluminum Steering Knuckle Plate (R=L)	2	SW-338051	106008	M3x12mm Hex Soket OH/TP Screw	9	SW-106008
338052	S35-4 Series T7 Aluminum Setting Bellcrank Upper Part-A (with 2Hole)	1	SW-338052	106009	M3x25mm Hex Soket OH/TP Screw	6	SW-106009
338053	S35-4 Series T7 Aluminum Steering Plate	1	SW-338053	106010	M3x6mm Hex Soket OH/TP Screw	8	SW-106010
338056	S35-4 Series Lower Arm Hinge Pin (68.5mm)	4	SW-338056	106013	M2.5x8mm 1.5mmHex Soket OH/ST Screw	4	SW-106013
338057	S35-4 Series T7 Aluminum Front Upper Arm Holder	1	SW-338057	106015	M3x5mm Hex Soket OH/TP Screw	2	SW-106015
338058	S35-4 Series T7 Aluminum Front Lower Arm Plate (FF)	1	SW-338058	106020	M2.5x5mm 1.5mmHex Soket OH/ST Screw	10	SW-106020

Spare Part List

Part No.	Part Name	Q'ty in Use	Item No.	Item No.	Part Name
106021A	S35 Series M4x10mm Hex Soket OH/TP Set Screw	4	SW-106021A	SW-2501121C	S35/S350 Series Ball End Set with Shock Plastic Parts
106022	M2.5x14mm Soket OH/ST Screw (1.5mmHex)	5	SW-106022	SW-2501122B	S35/S350 Series Settring Bellcrank Set 2.0 Set (with Servo Horn)
106024	M4x12mm Hex Soket OH/TP Screw	2	SW-106024	SW-2503260	S353 Series Plastic Inserts Set
108001	M3x12mm FH/ST HEX Screw	22	SW-108001	SW-2503260-01	S353 Series Plastic Wheel Hub Inserts Set
108003	M3x10mm FH/ST HEX Screw	21	SW-108003	SW-2503260-02	S35-3 Series Plastic Arm Inserts Set
108006	M3x8mm FH/ST HEX Screw	19	SW-108006	SW-2503260-04	S35-3 Series Plastic Knuckle Inserts Set
108007	M3x6mm FH/ST HEX Screw	14	SW-108007	SW-2503261A	S35-3/GT Series Gear Box Set (Fit 5x13x4mm Ball Bearing)
108008	M3x35mm FH/ST HEX Screw	4	SW-108008	SW-2503264A	S35-3 Series Front Steering Knuckle (Type 2.0)
108010	M4x10mm FH/ST HEX Screw	9	SW-108010	SW-2503270-02	S35-3 Series Rear Upper Arm Outside Ball Ends (2pc)
108012	M4x16mm FH/ST HEX Screw	8	SW-108012	SW-2503270-03	S35-3 Series Front Steering Ball Ends (4pc)
108029	M2.0x4.6mm FH/ST HEX Screw (1.5mm HexHead)	4	SW-108029	SW-220015	SWORKz 1/8 S35GT/E Bumper Set
				SW-220016	SWORKz 1/8 S35GT/E Wing Mount Set
				SW-220017	SWORKz 1/8 S35GT/E Plastic Body Post and Mount Set
				SW-228001	S35-4 Series Plastic Inserts Set (2Set)
				SW-228002-1	S35-4 Series Plastic Rear Wheel Hub (R=L)(2pc)
				SW-228004	S35-4 Series Plastic Side Guard Set
				SW-228005H-F	S35-4 Series Front Lower Arm in Hard Material
				SW-228005H-R	S35-4 Series Rear Lower Arm in Hard Material
				SW-228006	S35 Series Shock End/Body Mount/Ball Ends Set (2Set)
				SW-228006-5	S35 Series Rear Upper Arm Linkage Ball End (S)
				SW-228007	S35-4E Buggy Series Steering Servo Mount/Center Diff Mount Plastic Parts
				SW-228009	S35-GT2 Front/Rear Upper Arm Linkage Parts
				SW-200193	Antenna Tube
				SW-210046	S350 Series LDS Universal Cross Drive Shaft Set 92.5mm (1pc)
				SW-210058	S350 series BBS Shock Seal Kit
				SW-210079A	S35-4 Plastic Center Big Bore HET Diff Case
				SW-210091	S35-3W Plastic Front/Rear Big Bore Diff Case
				SW-328001	S35-3/4 Series HET Diff. Bevel Gear Set
				SW-330015	Pin M2.2x9.9mm
				SW-330114A	S350 Sseries Servo Saver Post (HC)
				SW-330117A	S350 Series Knuckle Pivot Ball Washer(GM)
				SW-330118A	S350 Series Knuckle Pivot Ball Nut(GM)
				SW-330119	Front Upper Arm HingPin
				SW-330122A	S350 Wheel Nut (HC)
				SW-330123A	S350 EVO Rear Upper Sus. Arm Turnbuckles M5x38mm
				SW-330124	Pin M3.0x16.8mm
				SW-330125	Rear Upper Sus. Arm Ball Stud
				SW-330126A	S350 EVO Steering Turnbuckle M4x40mm
				SW-330134	Shock Ball Stud 6mmxL6.7
				SW-330136	Sway Bar Ball Stud
				SW-330243	SWORKz 3x18mm Shock Hex Screw Set (Anti-Clockwise)
				SW-330252	S350 BX1/BR1 Steering Knuckle Pivot Ball Turnbuckle
				SW-330557	S350 New BBS System Shock Seal Cap (GM)
				SW-330560B	S35 New BBS System Shock Spring Adjust Nut (BK)
				SW-330661A	S35-T/S35 Series Competition Center Drive Join (5mm set screw)
				SW-330694A	S35 E Series 6mm Steel Ball Stud
				SW-330697	S35-2E Center Rear Drive Shaft (S)
				SW-330699B	S35-2E/3E Center Main Drive Shaft (L)
				SW-330770	S35-3 T-7075 Aluminum Rear Lower Fully Adjustable Toe-In Block (Type A)
				SW-330777A	S35-4 Series Steering Linkage Ball Stud 7mm(L7)(4pc)
				SW-330782	S35-3 Series Rear Hub Carriers Hinge Pin
				SW-330798	S35GT BBS System Shock Body (F/R)
				SW-330817	SWORKz 1/8 EP Motor Pinion Gear 18T
				SW-338011	S35-3 series Pinion Gear Stopper (5x7x5.1mm)(4pc)
				SW-338023	S35-3W Pinion Gear 13T
				SW-338024	S35-3W Crown Gear 43T
				SW-338025	S35-4 HET Bevel Gear Shaft (2pc)
				SW-338027	S35-4 Front/Rear HET Diff. Outdrive (2pc)
				SW-338028	S35-4 Center HET Diff. Outdrive (2pc)
				SW-338038A	S35-3E/S35-2E/Apollo Series T7075 Roll Bar Brace
				SW-338039	S35-3/4 Series Center HET Spur Gear (46T)
				SW-338043	S35-3/4 Series Servo Saver Nut with Screw Fixed
				SW-338048	S35-4 Series Servo Saver Shaft(2pc)
				SW-338051	S35-4 Series T7 Aluminum Steering Knuckle Plate (R=L)
				SW-338052	S35-4 Series T7 Aluminum Settring Bellcrank Upper Part-A (with 2Hole)
				SW-338053	S35-4 Series T7 Aluminum Steering Plate
				SW-338056	S35-4 Series Lower Arm Hinge Pin (68.5mm)(2pc)
				SW-338057	S35-4 Series T7 Aluminum Front Upper Arm Holder
				SW-338058	S35-4 Series T7 Aluminum Front Lower Arm Plate (FF)
				SW-338059	S35-4 Series T7 Aluminum Front Lower Arm Holder (FR)
				SW-338065	S35-4 E-Buggy Series T7 Aluminum Motor Mount
				SW-338066	S35-4 E-Buggy Series T7 Aluminum Center Diff Mount (CF)
				SW-338067	S35-4 Series Emulsion/Bladder 2 Ways Syatem Shock Cap (2pc)
				SW-338068	S35-4 Series T7 Aluminum Shock Stud (L)(2pc)
				SW-338070	S35 Series Rear Upper Sus. Arm Ball Stud(2pc)

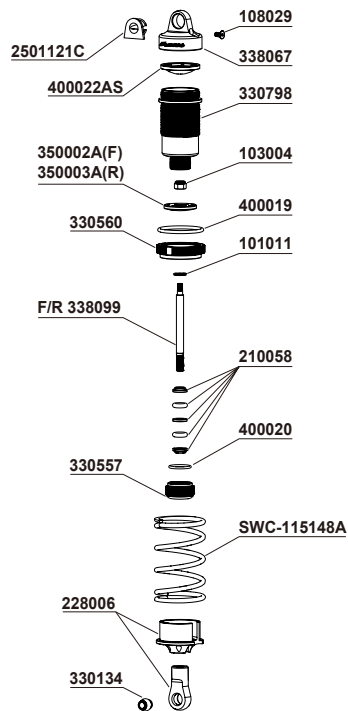
Spare Part List

Item No.	Part Name	Item No.	Part Name
SW-338080	S35/S350 Series Lightened Wheel Hub for 8mm Axil (L5.5mm)	SW-108007	M3x6mm FH/ST HEX Screw
SW-338081	S35-GT2/E T7075 Aluminum Front Shock Tower	SW-108008	M3x35mm FH/ST HEX Screw
SW-338082	S35-GT2/E T7 Aluminum Rear Front Lower Suspension Plate (RF)	SW-108010	M4x10mm FH/ST HEX Screw
SW-338083	S35-GT2/E T7075 Aluminum Rear Shock Tower	SW-108012	M4x16mm FH/ST HEX Screw
SW-338099	S35GT/GT2 Series Teflon Coated Durable Shock Shaft (45.5mm)	SW-108029	M2.0x4.6mm FH/ST HEX Screw (1.5mm HexHead)
SW-340015	S35-3E/S35-2E/Apollo Series Carbon Fiber Rear Brace Mount		
SW-340017	S35-4 Series Pro-composite Carbon Steering Bellcrank Plate		
SW-340018	S35-4E Series Pro-composite Carbon Center Diff. Plate		
SW-340026	S35-GT2/E Pro-composite Carbon Rear Wheel Hub Adjust Plate (R=L)		
SW-340027-10	S35-GT2/E Pro-composite Carbon Front Upper Arm Cover (1mm)(2pc)		
SW-350002A	S35 Series BBS System Shock Piston 1.2mmX8 Straight Holes (BK)		
SW-350003A	S35 Series BBS System Shock Piston 1.3mmX8 Straight Holes (BK)		
SW-400002	O-ring S5 4.8X1.5		
SW-400005	Shock Spring Adjust Nut O-Ring		
SW-400013	SWORKz Shock Seal O-ring 2x2.7mm (8PC)		
SW-400019	S350 New BBS System Shock Spring Adjust Nut O-Ring (4pc)		
SW-400020	S350 New BBS System Shock Seal O-Ring (4pc)		
SW-400023	S35-4 Series BBS System Seal O-Ring for Emulsion Shock Cap (4pc)		
SW-400022A-S	S35 Series BBS System Pro Shock Bladder (Soft)(8PC)		
SW-420010	Antenna Cup		
SW-510091	SWORKz Original Logo Sticker (2pc)		
SW-610019	S35-3 Series Servo Saver Spring Dusty Protect Sponge (2pc)		
SW-610020	S35-3 Series Center Big Bore Plastic Diff. Case Gasket (3pc)		
SW-610021L	S35-GT/GTE Series Foam Bumper (Large)		
SW-610023	S35-4 HET Diff. Gasket (0.4T)(4pc)		
SW-115004A	Servo Saver Spring		
SW-115005	Rear Sway Bar 2.8mm		
SW-115006	Rear Sway Bar 2.6mm		
SW-115008A	Front Sway Bar 2.3mm		
SW-115019	Body Clip		
SW-115035A	S35/350 Series Front Sway Bar 2.2mm		
SWC-115148A	S35GT/GT2 Black Competition Shock Spring (A2-Dot)(40x2.2x5.25)		
SW-116004R	Ball Bearing 6x10x3mm (Red Rubber Case)(4pc)		
SW-116006R	Ball Bearing 8x16x5mm (Red Rubber Case)(10PC)		
SW-116019R	Ball Bearing 5x13x4mm (Red Rubber Case)(4pc)		
SW-117003	Flange Ball Bearing 3x6x2.5mm (2pc)		
SW-101004	Washer 3.5X10X0.2mm		
SW-101010A	M3 Countersunk Washer (GM)		
SW-101011	M2.6x6xT0.6mm		
SW-101012	M3x6xT0.6mm		
SW-101018	SHIM 13x16x0.2mm		
SW-101019	SHIM 6.0x10.0x0.2mm		
SW-101020A	S350 Sries 3mm Countersunk Washers (GM)		
SW-101021	M3x8xT0.8mm		
SW-101026	SWORKz Aluminum Washer 3X6X1.5mm		
SW-101039	Steel Washer 5x12x0.3mm		
SW-103001	M3 Nut Lock		
SW-103003A	Flange M3 Nut Lock (GM)		
SW-103004	M2.5mm Nut Lock		
SW-104004	M3x3mm Set Screw		
SW-104005	M3x4mm Set Screw		
SW-104009	M3x16mm Set Screw		
SW-104010	M5x4mm Set Screw (Flat Bottom)		
SW-104011	M4x4mm Set Screw (Flat Bottom)		
SW-105006A	M3x28mm Cap Screw full thread		
SW-105018	M2x6mm Cap Head Screw (10PC)		
SW-105020	M4x10mm Cap Screw (8PC)		
SW-106001	M3x8mm Hex Soket OH/TP Screw		
SW-106002	M3x10mm Hex Soket OH/TP Screw		
SW-106003	M3x16mm Hex Soket OH/TP Screw		
SW-106005	M3x15mm Hex Soket OH/TP Screw		
SW-106006	M3x20mm Hex Soket OH/TP Screw		
SW-106007	M3x12mm Hex Soket OH/TP Screw(HT)		
SW-106008	M3x12mm Hex Soket OH/TP Screw		
SW-106009	M3x25mm Hex Soket OH/TP Screw		
SW-106010	M3x6mm Hex Soket OH/TP Screw		
SW-106013	M2.5x8mm 1.5mmHex Soket OH/ST Screw		
SW-106015	M3x5mm Hex Soket OH/TP Screw		
SW-106020	M2.5x5mm 1.5mmHex Soket OH/ST Screw		
SW-106021A	S35 Series M4x10mm Hex Soket OH/TP Set Screw		
SW-106022	M2.5x14mm Soket OH/ST Screw (1.5mmHex)		
SW-106024	M4x12mm Hex Soket OH/TP Screw (8PC)		
SW-108001	M3x12mm FH/ST HEX Screw		
SW-108003	M3x10mm FH/ST HEX Screw		
SW-108006	M3x8mm FH/ST HEX Screw		

Option Part List

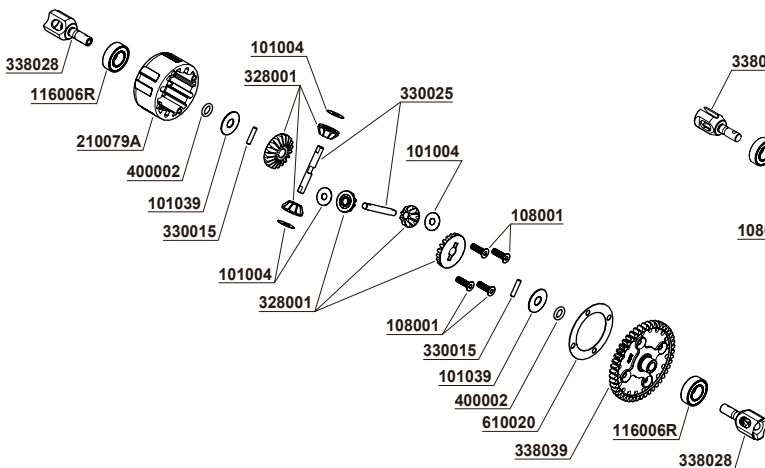
Item No.	Part Name
SW-115007	S35/S350 Series Rear Sway Bar 3.0mm
SW-115009A	S35/350 Series Front Sway Bar 2.6mm
SW-115010A	S35/350 Series Front Sway Bar 2.8mm
SW-115034A	S35/350 Series Front Sway Bar 2.1mm
SW-115046	S35/S350 Series Rear Sway Bar 2.4mm
SW-115047	S35/S350 Series Rear Sway Bar 2.5mm
SW-115150A	S35/350 Series Front Sway Bar 2.4mm
SW-115151A	S35/350 Series Front Sway Bar 2.5mm
SW-115152	S35GT/GTE BBS System Silver Line Shock Spring A1 (YL)(40X2.2X5.5)
SW-115153	S35GT/GTE BBS System Silver Line Shock Spring A3 (SB)(40X2.2X5.0)
SW-115154	S35GT/GTE BBS System Silver Line Shock Spring A4 (PUR)(40x2.2x4.75)
SW-116010B	High Performance Ball Bearing 5x10x4mm (coffee)(4pc)
SWC-116006C	SWORKz Competition 8x16x5mm Ball Bearing (Metal Case)(6PC)
SWC-116010C	SWORKz Competition 5x10x4mm Ball Bearing (Metal Case)(6PC)
SWC-116019A	SWORKz Competition 5x13x4mm Ball Bearing (Metal Case)(4PC)
SW-250052-3	SWORKz 1/8 S35-GT MGT-3 Body Shell Set
SW-250052-4	SWORKz 1/8 S35-GT MGT4-SPEED Body Shell Set
SW-250052-R	SWORKz 1/8 S35-GT/GT2 MGT-SPEED Rear Wing Set
SW-218001	S35/350 Series Front Sway Bar Set (2.0/2.1/2.2/2.3/2.4/2.5/2.6/2.8mm)
SW-218002	S35/350 Series Rear Sway Bar Set (2.4/2.5/2.6/2.7/2.8/3.0mm)
SW-218006	S35-4 Series HET Front/Rear Big Bore Diff. Set (43T)
SW-218019A	S35-GT2 series BBS Shock System Kit
SW-210079AH	S35-4 Plastic Center Big Bore HET Diff Case (Hard)
SW-210091H	S35-4 Plastic Front/Rear Big Bore HET Diff Case (Hard)
SW-330115	Steering Knuckle Pivot Ball Turnbuckle
SW-330116	14mm Knuckle Pivot Ball
SW-330134A	S350 Series Aluminum Shock Ball Stud (4pc)
SW-330136A	S350 Series Aluminum Sway Bar Ball Stud (4pc)
SW-330168A	S35-3 Series Rear Chassis Blance wight 15g (2pc)
SW-330235	SWORKz 1/8 Motor Pinion Gear 13T
SW-330239	SWORKz 1/8 Motor Pinion Gear 14T
SW-330245	SWORKz 1/8 Motor Pinion Gear 15T
SW-330246	SWORKz 1/8 Motor Pinion Gear 16T
SW-330247	SWORKz 1/8 Motor Pinion Gear 17T
SW-330818	SWORKz 1/8 EP Motor Pinion Gear 19T
SW-330819	SWORKz 1/8 EPMotor Pinion Gear 20T
SW-330398A	SWORKz S350 Series Pro Wheel Nut (GM)
SW-330420	S350 Series Knuckle Pivot Ball Balance Nut (5.5g)(2pc)
SW-330499	S35/S350 Series Rear Sway Bar 2.7mm
SW-330500	S350 Series Front Sway Bar 2.0mm
SW-330500A	S35/S350 Series Front Sway Bar 2.0mm
SW-330505A	S35 Series Lightened Wheel Hub for 8mm Axil (L6.5mm)
SW-330506A	S35 Series Lightened Wheel Hub for 8mm Axil (L5.0mm)
SW-330795	S35-3 T-7075 Aluminum Rear Lower Fully Adjustable Toe-In Block (Type B)
SW-330777B	S35-4 Series Aluminum Steering Linkage Ball Stud 7mm (L7)(4PC)
SW-338039	S35-3/4 Series Center HET Spur Gear (46T)
SW-338041	S35-3/4 Series Center HET Spur Gear (48T)
SW-338069	S35-4 E-Buggy Series Brass Material Center Chassis Brace (50g)
SW-338075	S35-4 Series T7 Aluminum Rear Wheel Hub (R=L)(2PC)
SW-338070A	S35 Series Rear Upper Arm Aluminum Ball Stud (2PC)
SW-338078-25	SWORKz Uni-Design 2-Way System Aluminum Steering Servo Horn 25T
SW-338078-23	SWORKz Uni-Design 2-Way System Aluminum Steering Servo Horn 23T
SW-340027-15	S35-GT2/E Pro-composite Carbon Front Upper Arm Cover (1.5mm)(2PC)
SW-340022-10	S35-4/E Series Pro-composite Carbon Front Lower Arm Cover (1mm)(2PC)
SW-340022-15	S35-4/E Series Pro-composite Carbon Front Lower Arm Cover (1.5mm)(2PC)
SW-340022-20	S35-4/E Series Pro-composite Carbon Front Lower Arm Cover (2mm)(2PC)
SW-340023-10	S35-4/E Series Pro-composite Carbon Rear Lower Arm Cover (1mm)(2PC)
SW-340023-15	S35-4/E Series Pro-composite Carbon Rear Lower Arm Cover (1.5mm)(2PC)
SW-340023-20	S35-4/E Series Pro-composite Carbon Rear Lower Arm Cover (2mm)(2PC)
SW-400022A-M	S35 Series BBS System Pro Shock Bladder (Medium)(8PC)
SW-4000245	S35 Series BBS System Hex-Cell Shock Bladder (Soft)(4PC)
SW-400024M	S35 Series BBS System Hex-Cell Shock Bladder (Medium)(4PC)
SW-510053-PBK	SWORKz Speed Logo Sticker (PushBar)(BK)(2pc)
SW-510053-PFO	SWORKz Speed Logo Sticker (PushBar)(FO)(2pc)
SW-510053-PFY	SWORKz Speed Logo Sticker (PushBar)(FY)(2pc)
SW-510053-PHA	SWORKz Speed Logo Sticker (PushBar)(Hara Edition)(2pc)
SWC-218007A	S35 Series Evolution-CVA Drive Shaft Set 92.5mm (1 Sets)
SWC-218007D	S35 Series Advance-CVD Drive Shaft Set 92.5mm (1 Sets)
SWC-338071	S35 Series Advance-CVD Drive Axil (1PC)
SWC-338072	S35 Series Advance-CVD Drive Shaft (92.5mm)(1PC)
SWC-338073	S35 Series Evolution-CVA Drive Axil (1PC)
SWC-338074	S35 Series Evolution-CVA Drive Shaft (92.5mm)(1PC)
SWC-338076	S35 Series E-CVA/A-CVD Pin M2.5x14 (2PC)
SWC-338077	S35-4 Series E-CVA/A-CVD Axil Join (2PC)
SWC-228012	1/8 E-CVD/A-CVA Axil Holder (4PC)

Shock Absorbers

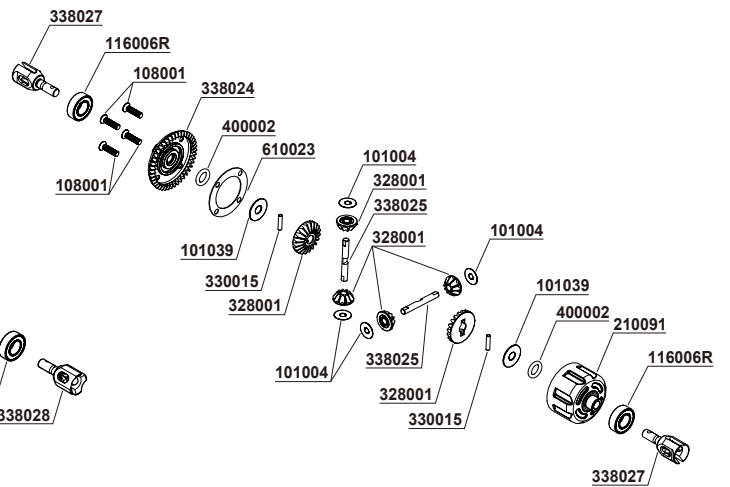


Differential

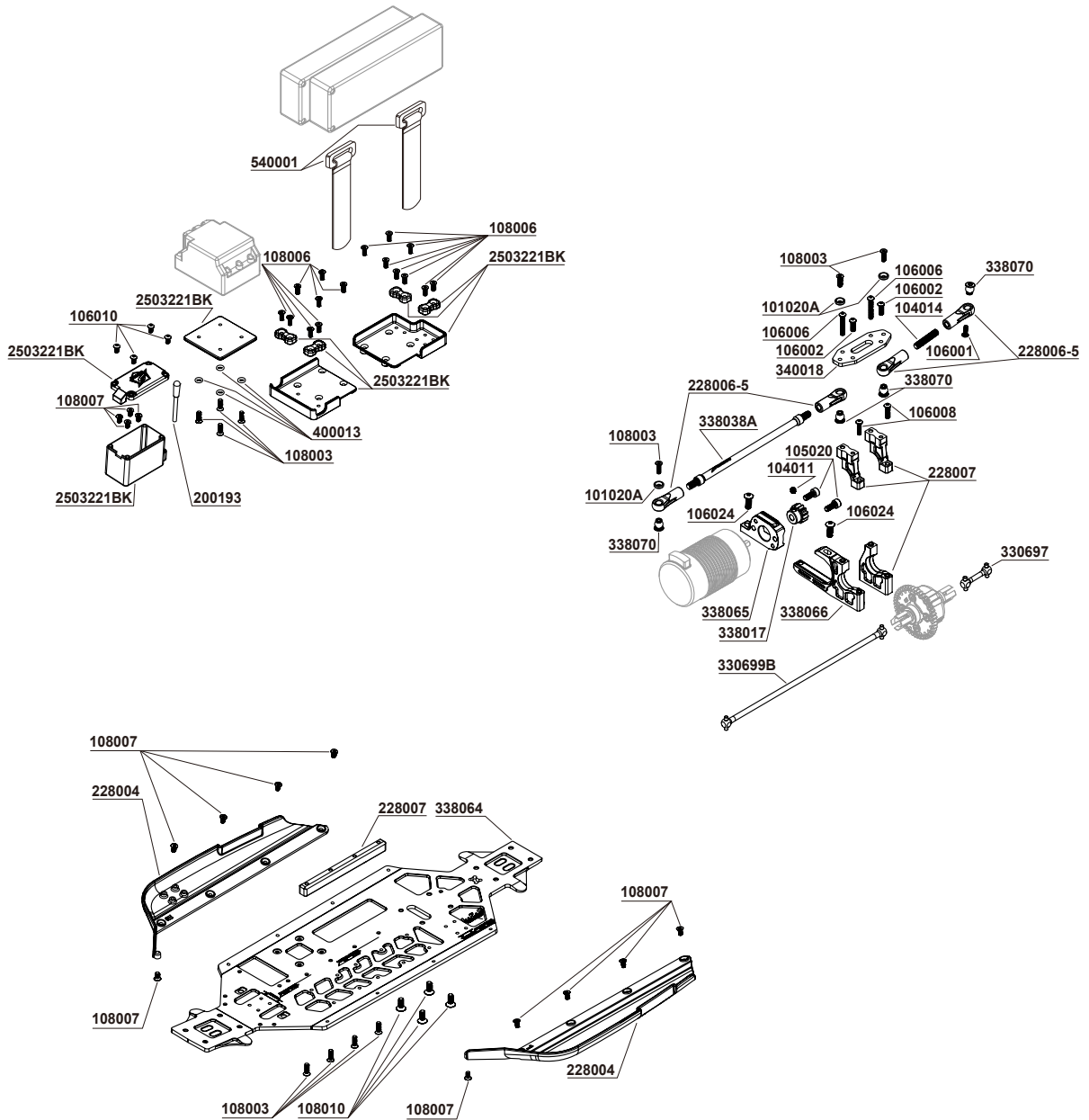
Center



F/R



Center Transmission



S35-GT20

IFMAR 1/8th GTe World Champion Kit



SPEEDMASTER HOBBY CO., LTD.

TEL: +886-3-538-7638

FAX: +886-3-538-7328

No.42, Ruiguang St., Xiangshan Dist.,
Hsinchu City 300, Taiwan (R.O.C.)

www.sworkz.com